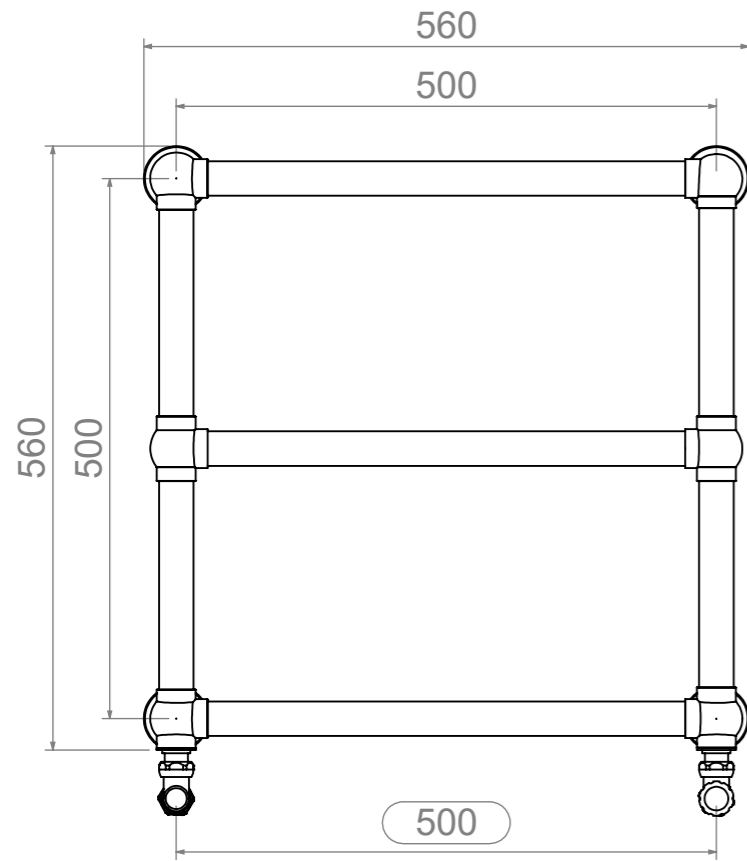
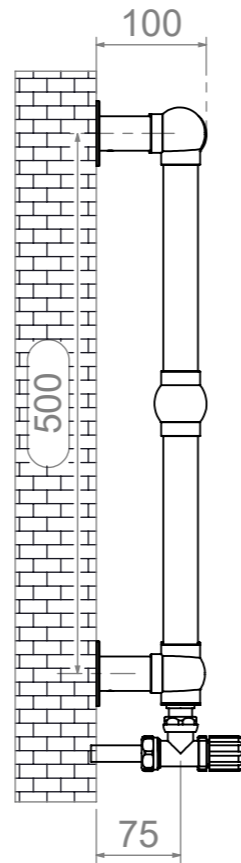


ARC055

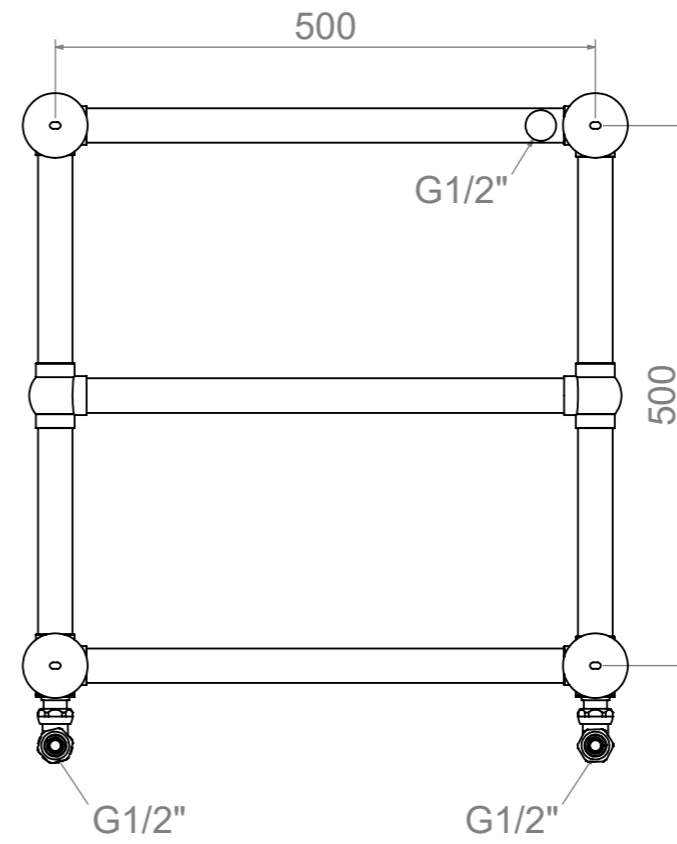
REVISIONS				
ZONE	REV.	DESCRIPTION	DATE	APPROVED
	00	Initial issue date	01-01-2011	



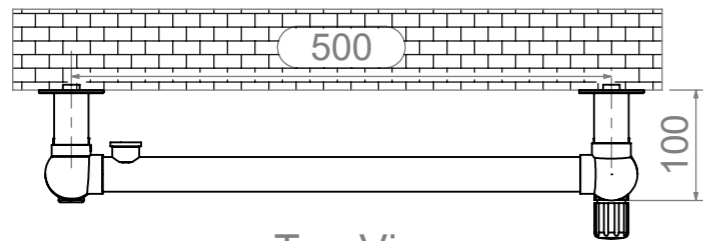
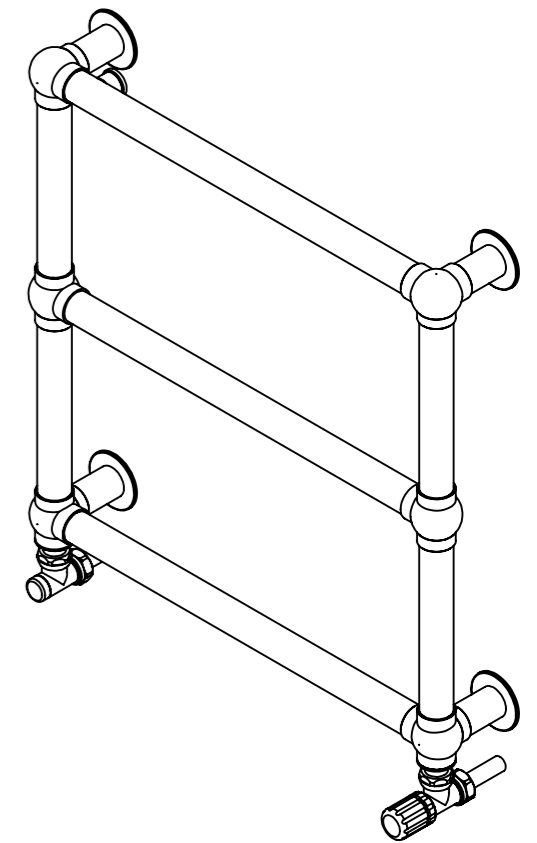
Front View



Side View



Back View

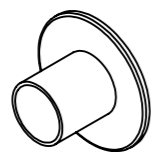


Top View

Installation Accessories:

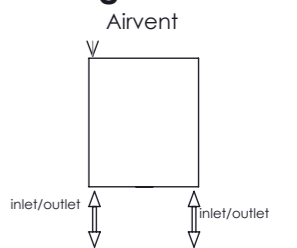


x4



x4

Fitting Position:



All Dimension are in mm
 Max.Working Pressure = 10 Bar
 Max.Working Temperature=95° C
 Inlet / Outlet : 1/2" BSP