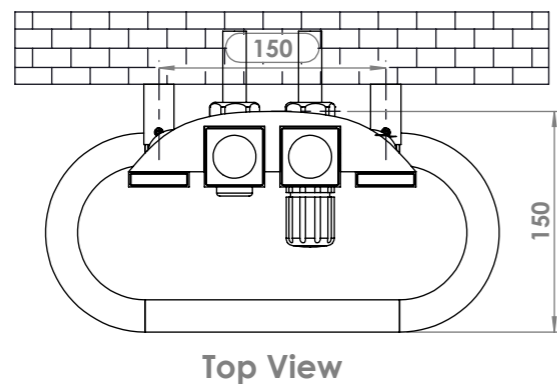
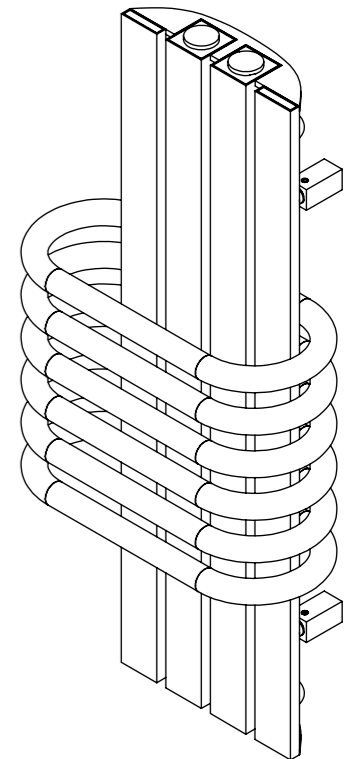
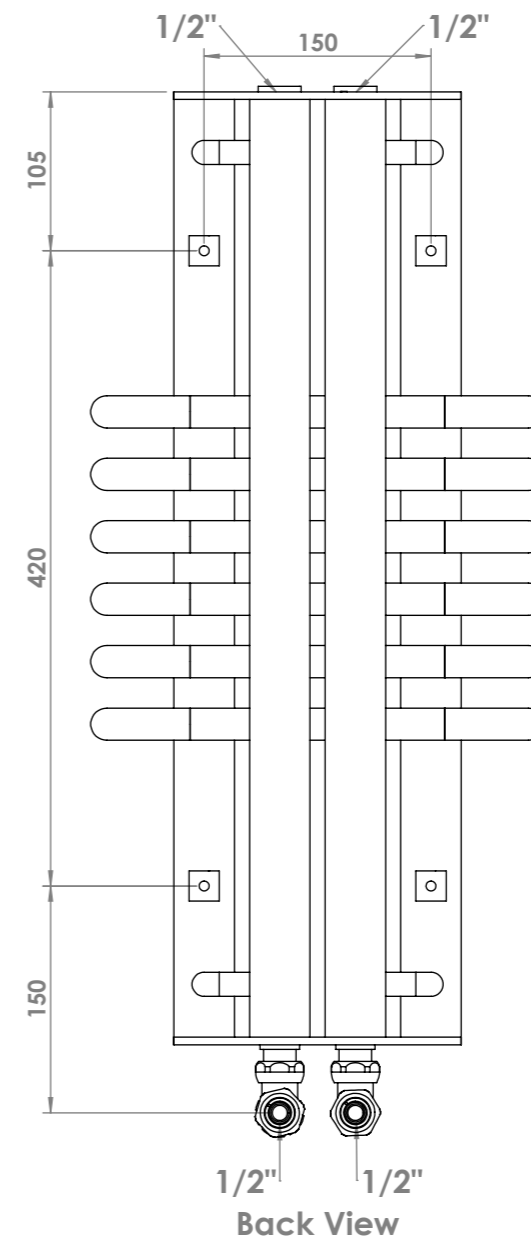
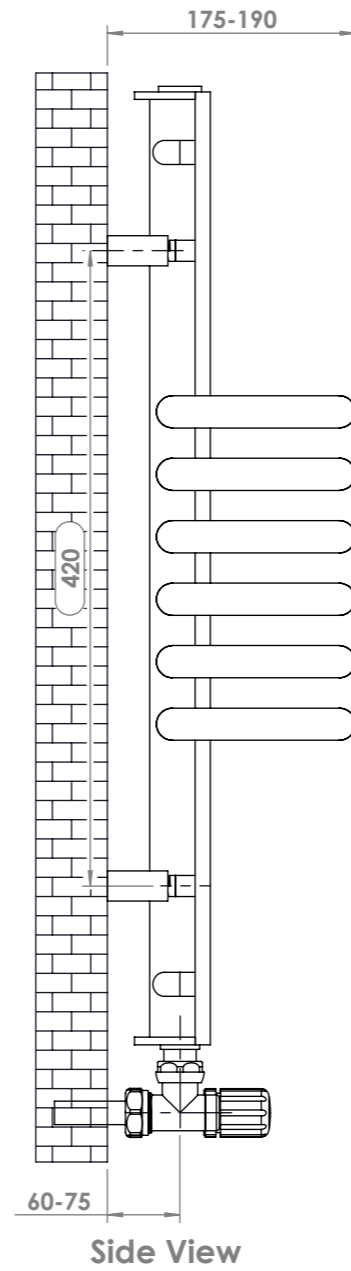
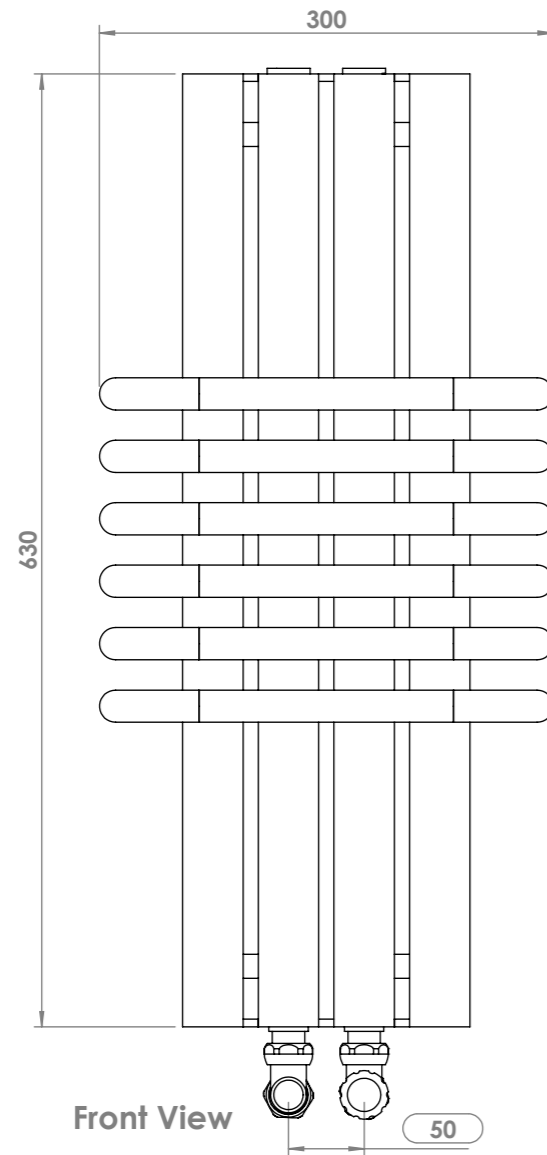


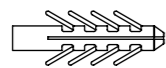
BOLERO-1



Installation Accesories:



x4



x4



x4



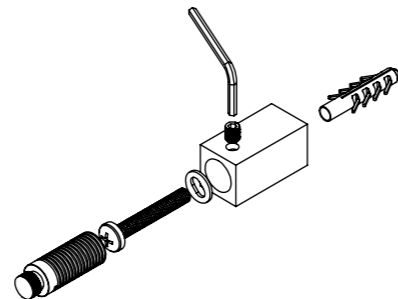
x4



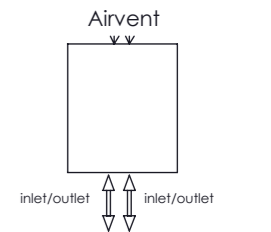
x4



x1



Fitting Position:



All Dimension are in mm
Max.Working Pressure = 10 Bar
Max.Working Temperature=95° C
Inlet / Outlet : 1/2" BSP