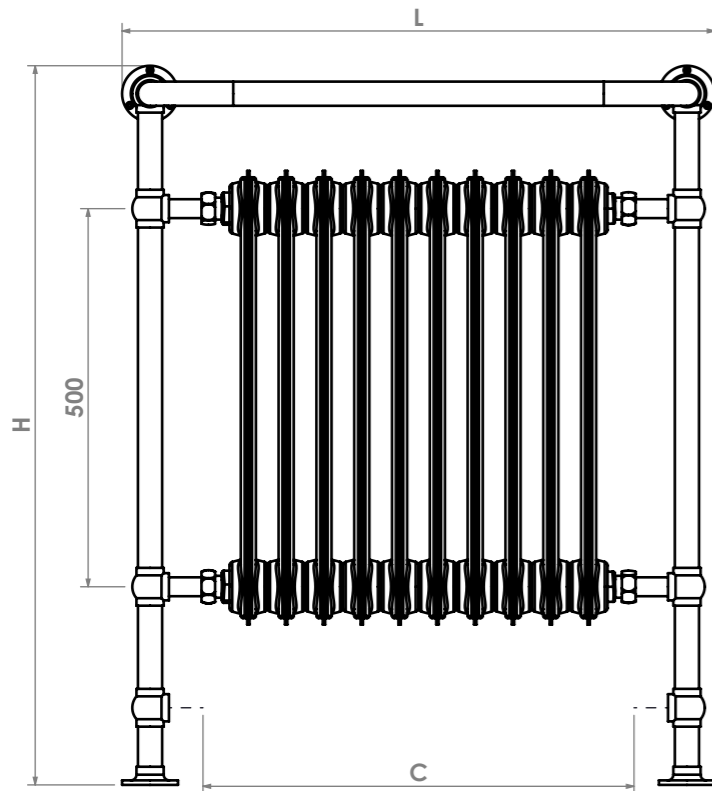
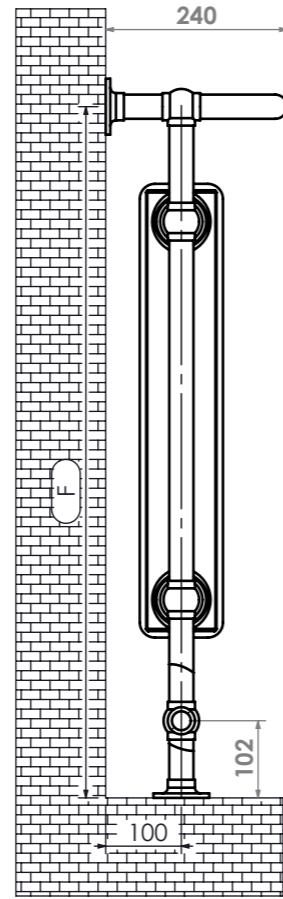


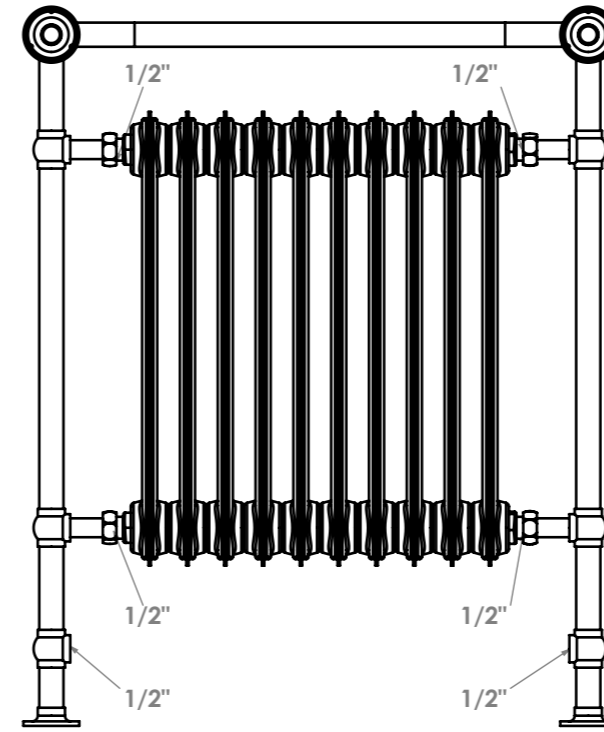
# BUCKINGHAM



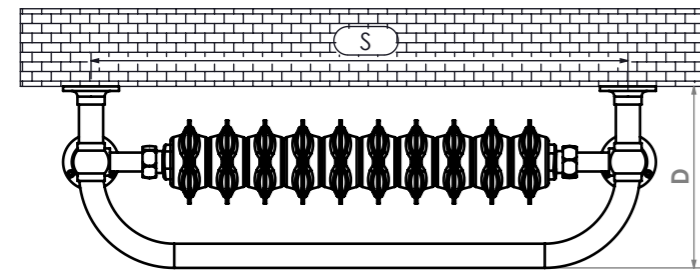
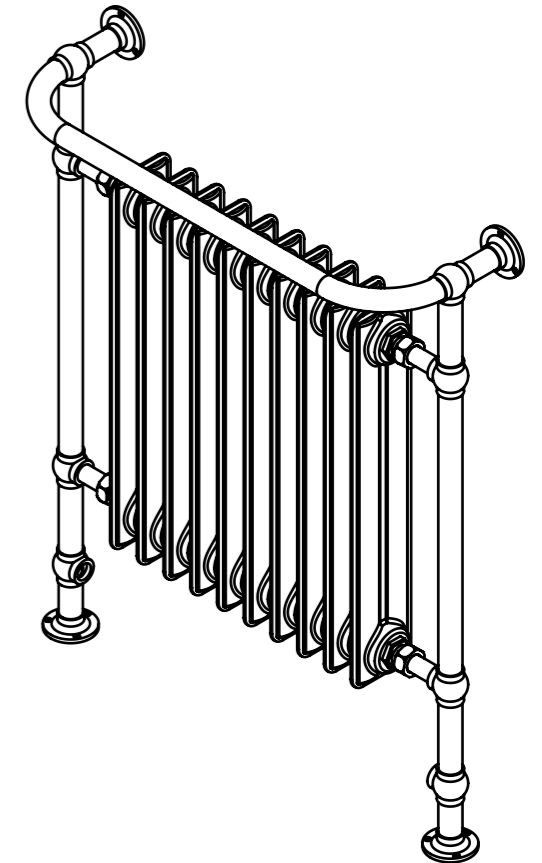
Front View



Side View

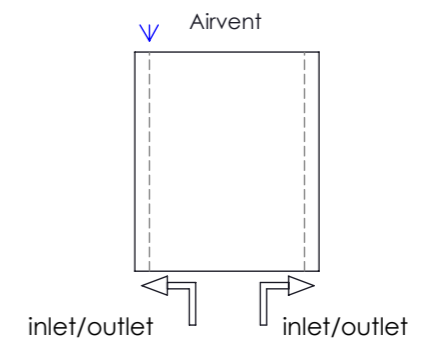


Back View



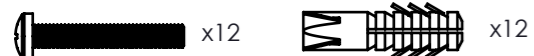
Top View

### Plumbing Position: Vertical



Vertical mount  
All Dimensions are in mm  
Max. Working Pressure: 6 Bar  
Max. Working Temperature: 95° C  
Inlet / Outlet : 1/2" BSP  
Fuel : H

### Installation Accessories:



PRODUCT CODE	Height	Length	Depth	Pipe Centres	Bracket Centres	
	H mm	L mm	D mm	C mm	F mm	S mm
5BE	951	534	240	320	914	510
7BE	951	634	240	420	914	610
10BE	951	784	240	570	914	710
14BE	951	984	240	770	914	810