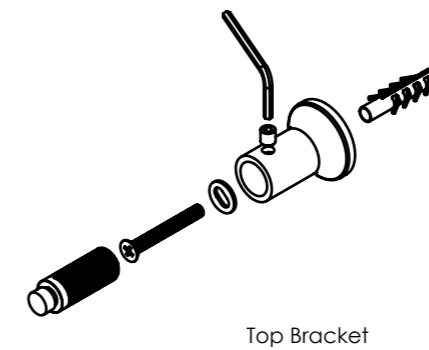
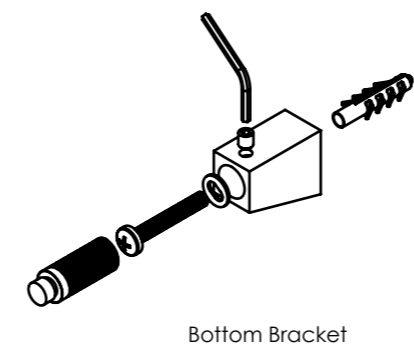
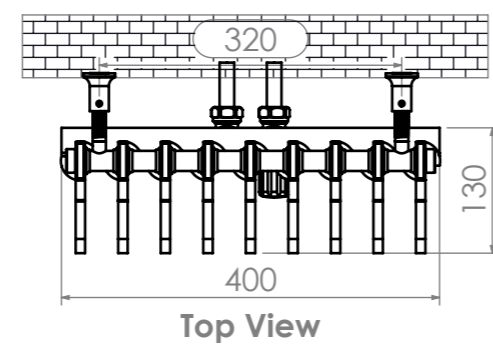
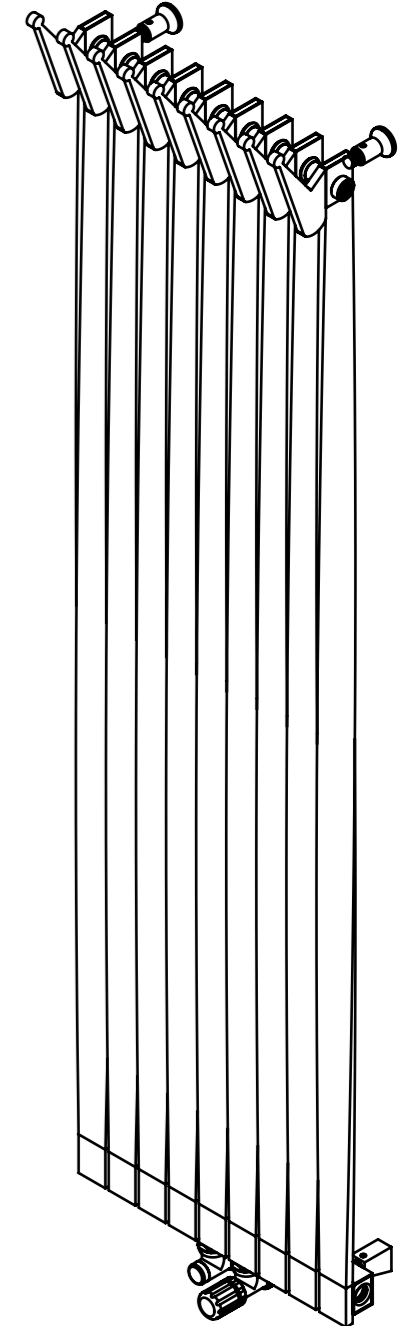
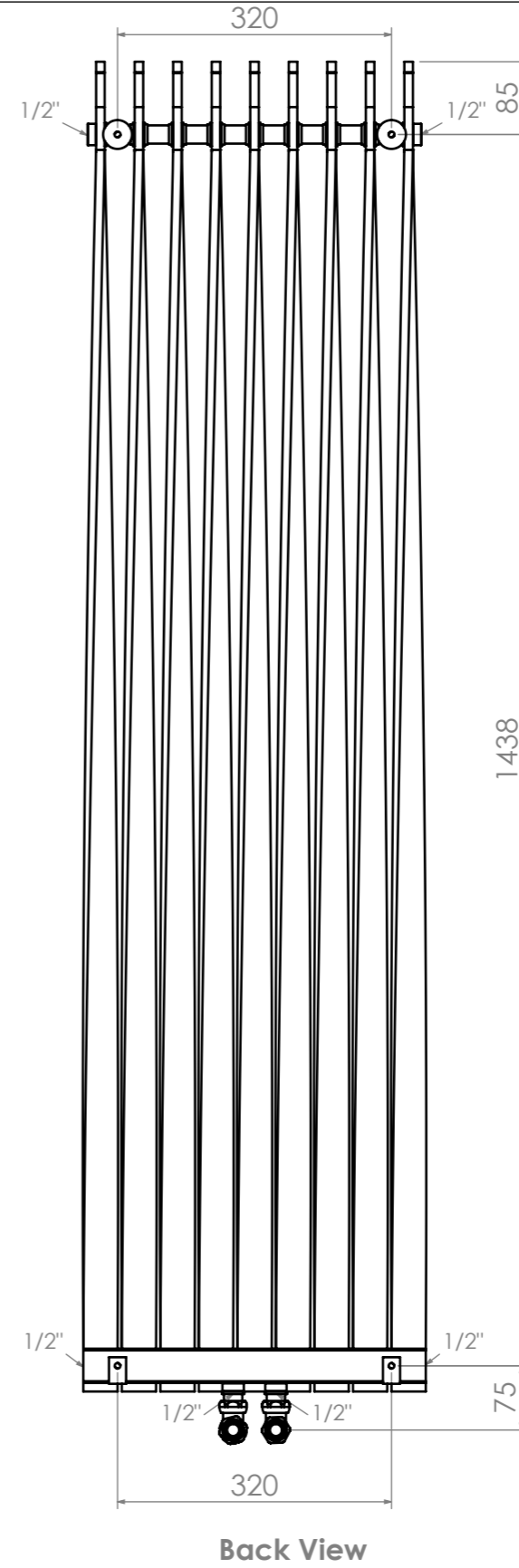
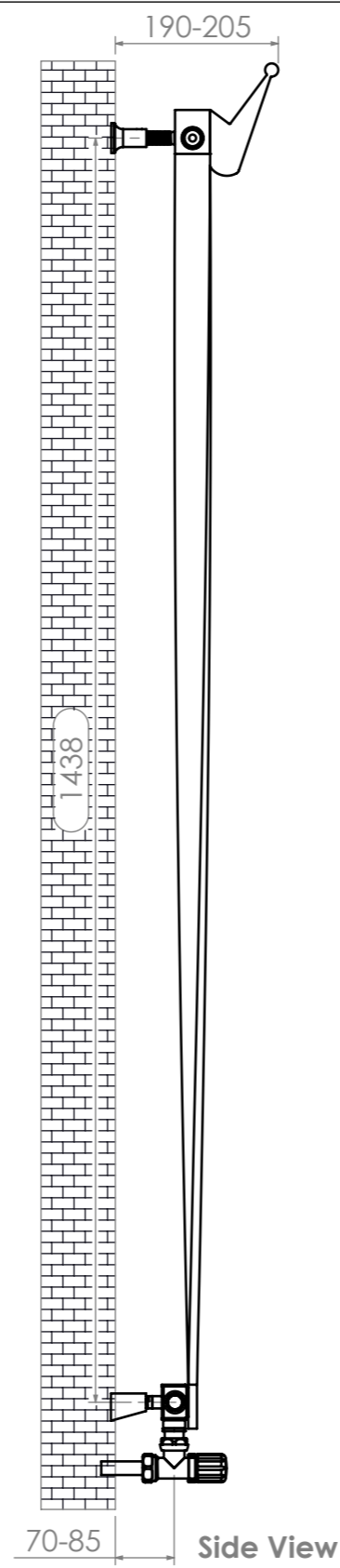
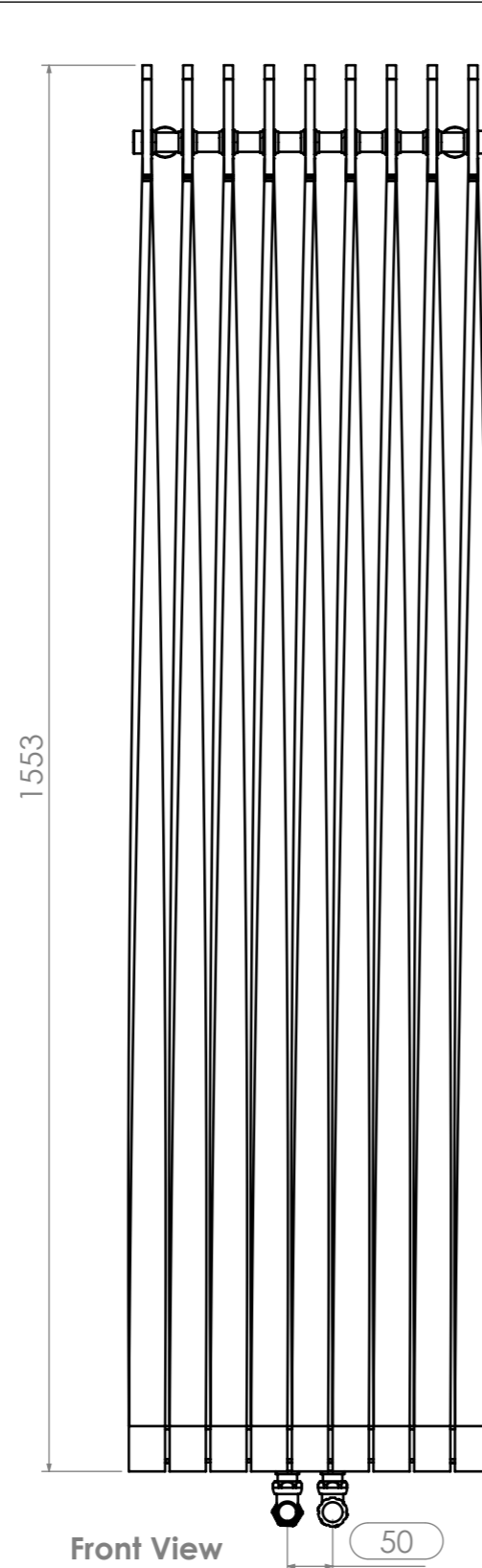






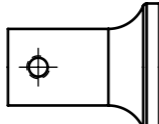


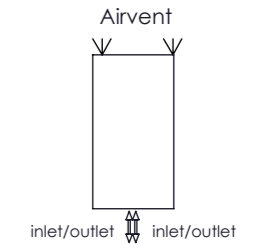
Clipper 1509



Installation Accessories:

-  x4
-  x4
-  x2
-  x4
-  x4
-  x1
-  x2

Plumbing Position:



Vertical mount
 All Dimensions are in mm
 Max. Working Pressure: 10 Bar
 Max. Working Temperature: 95° C
 Inlet / Outlet : 1/2" BSP
 Fuel : E/H/D