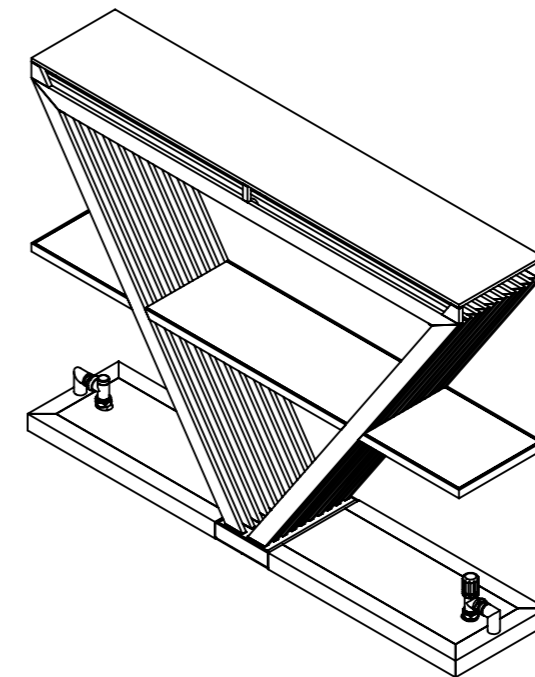
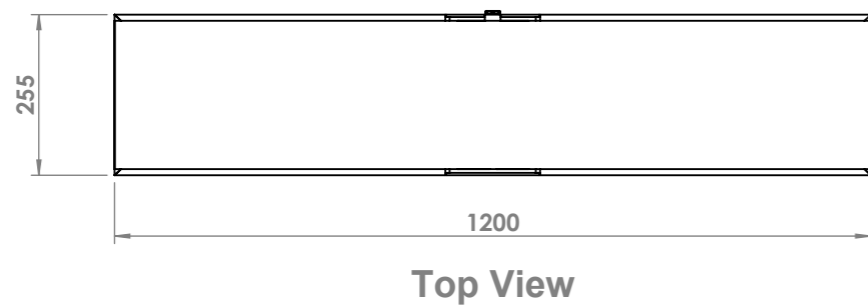
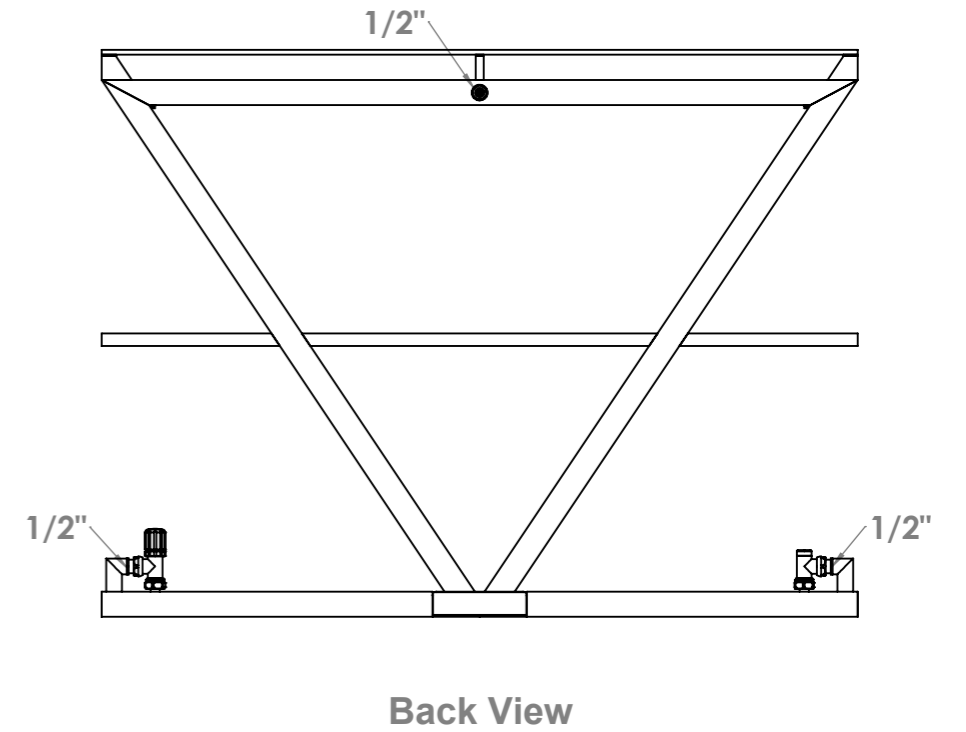
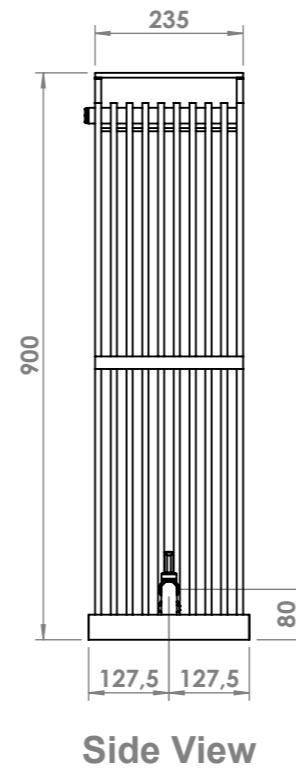
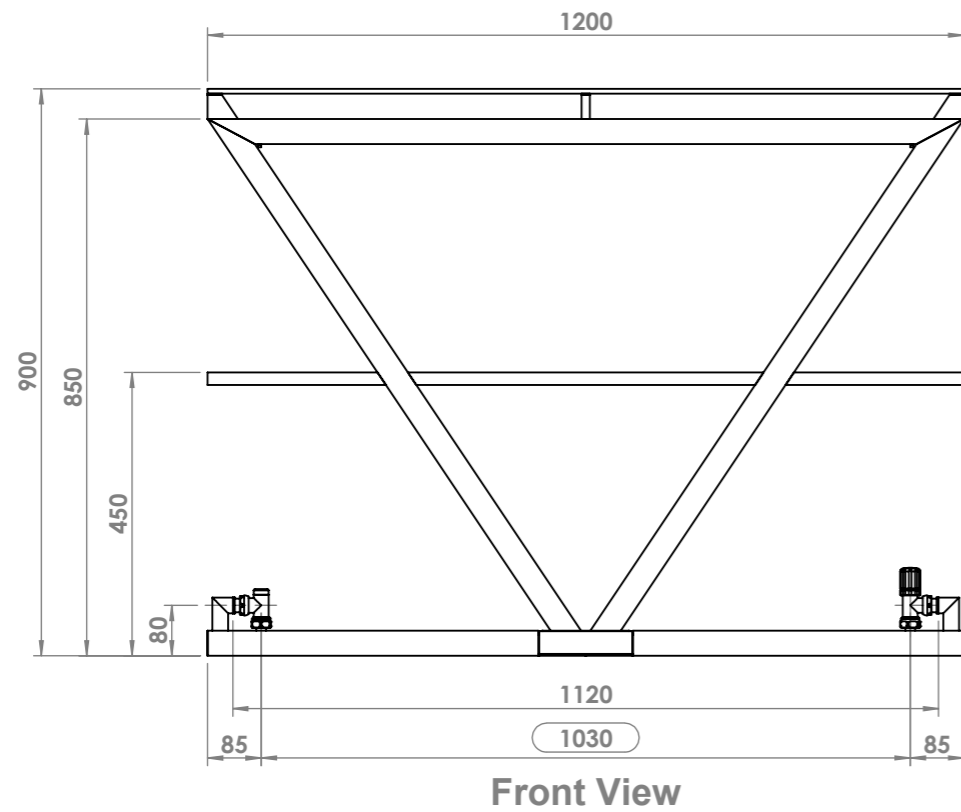
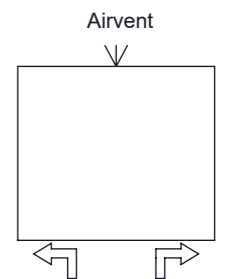


# ELIXIR-120



## Plumbing Position:



Vertical mount / Free S.  
All Dimensions are in mm  
Max. Working Pressure: 5 Bar  
Max. Working Temperature: 95° C  
Inlet / Outlet : 1/2" BSP  
Fuel : H