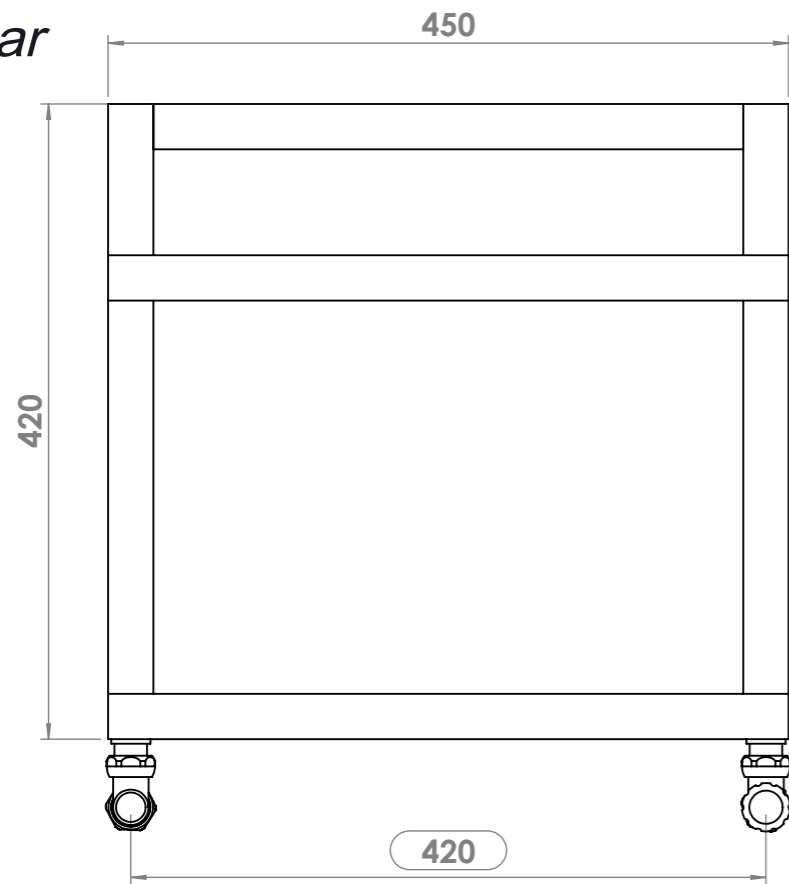
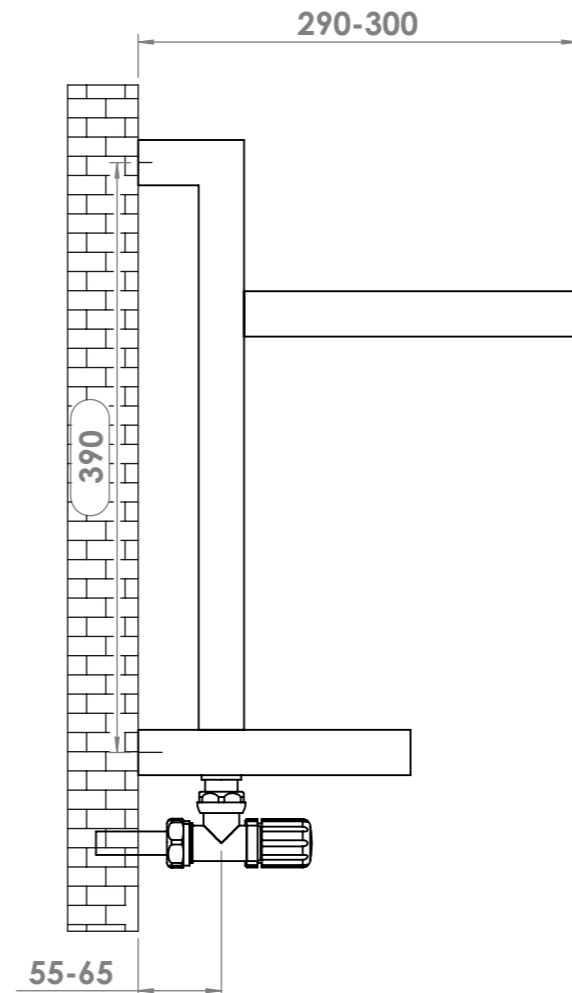


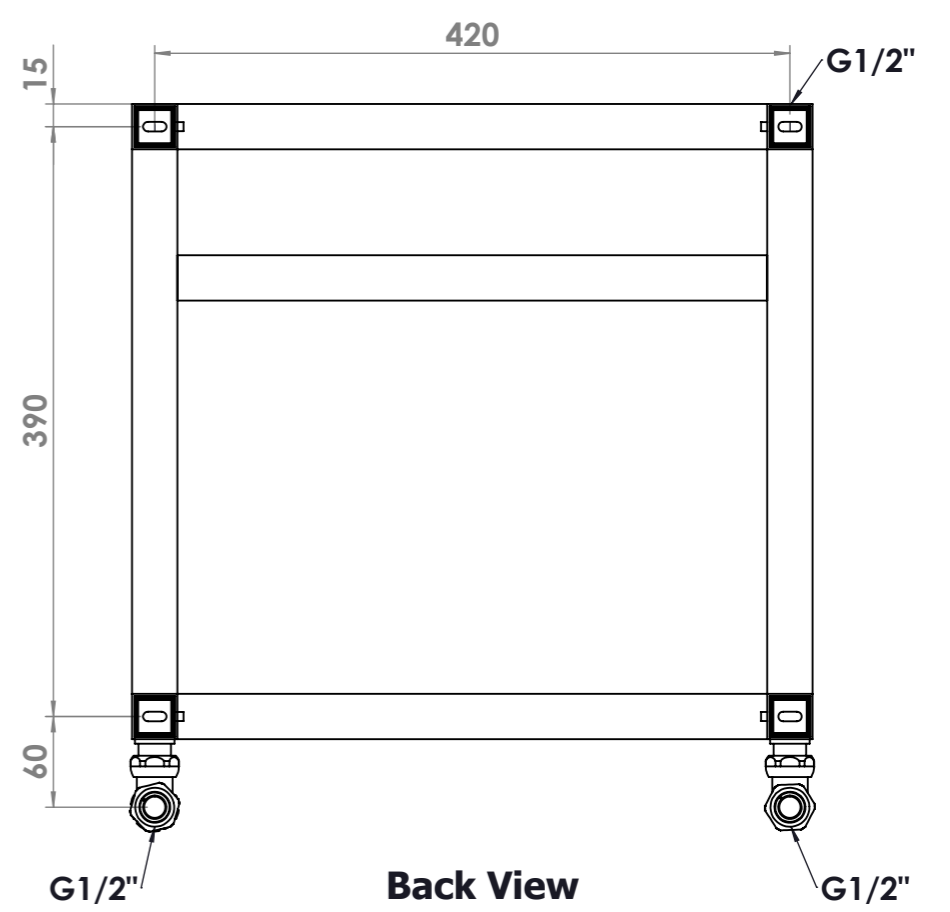
F-Bar



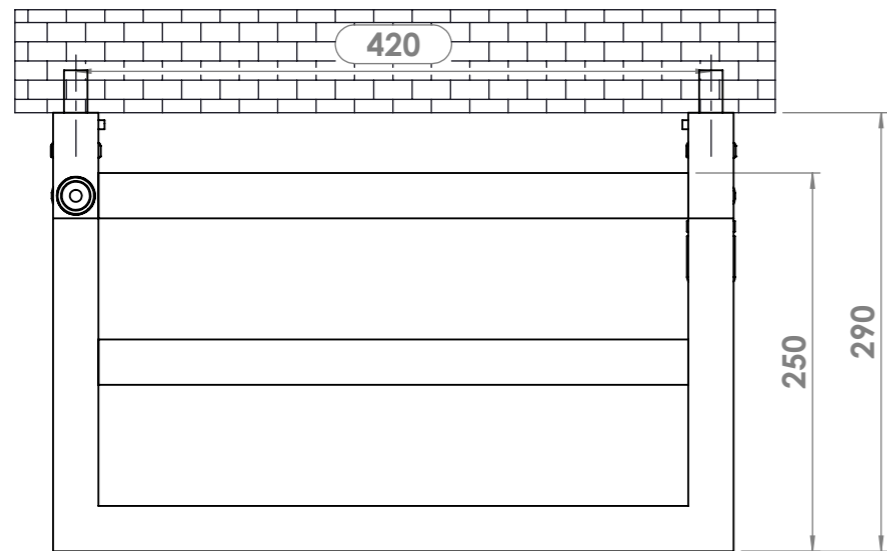
Front View



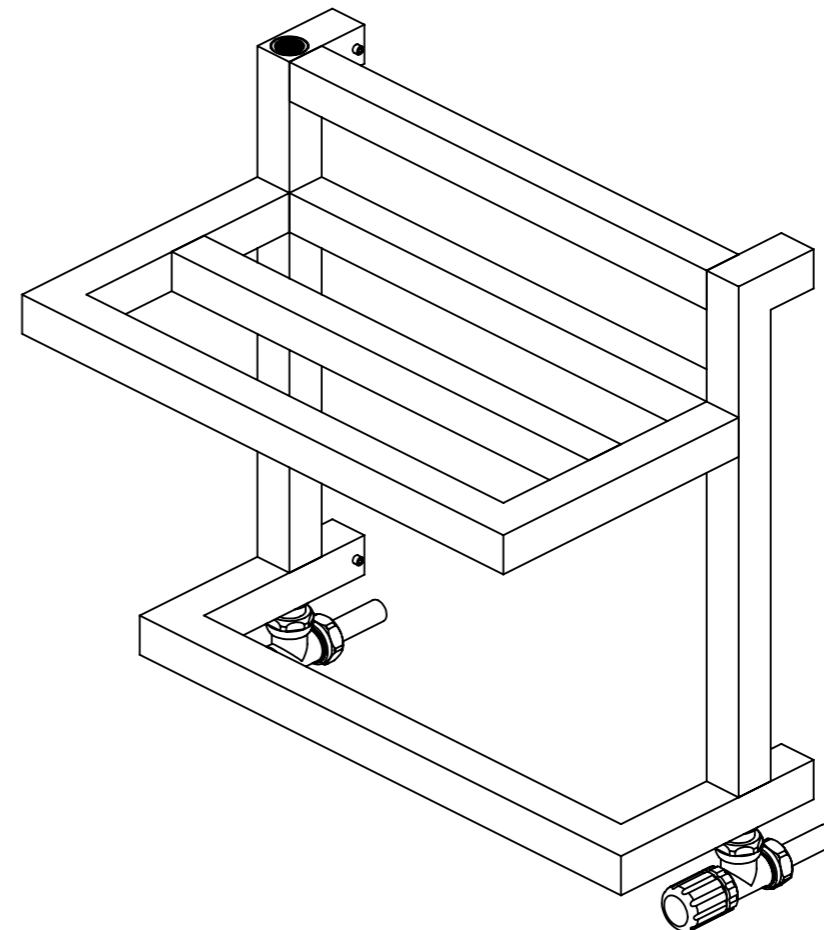
Side View



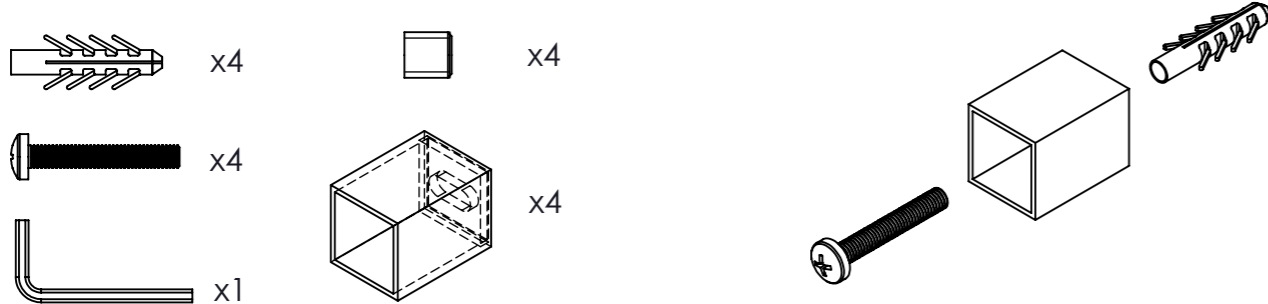
Back View



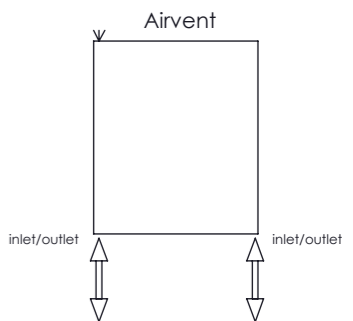
Top View



Installation Accesories:



Fitting Position:



All Dimension are in mm
 Max.Working Pressure = 10 Bar
 Max.Working Temperature=95° C
 Inlet / Outlet : 1/2" BSP