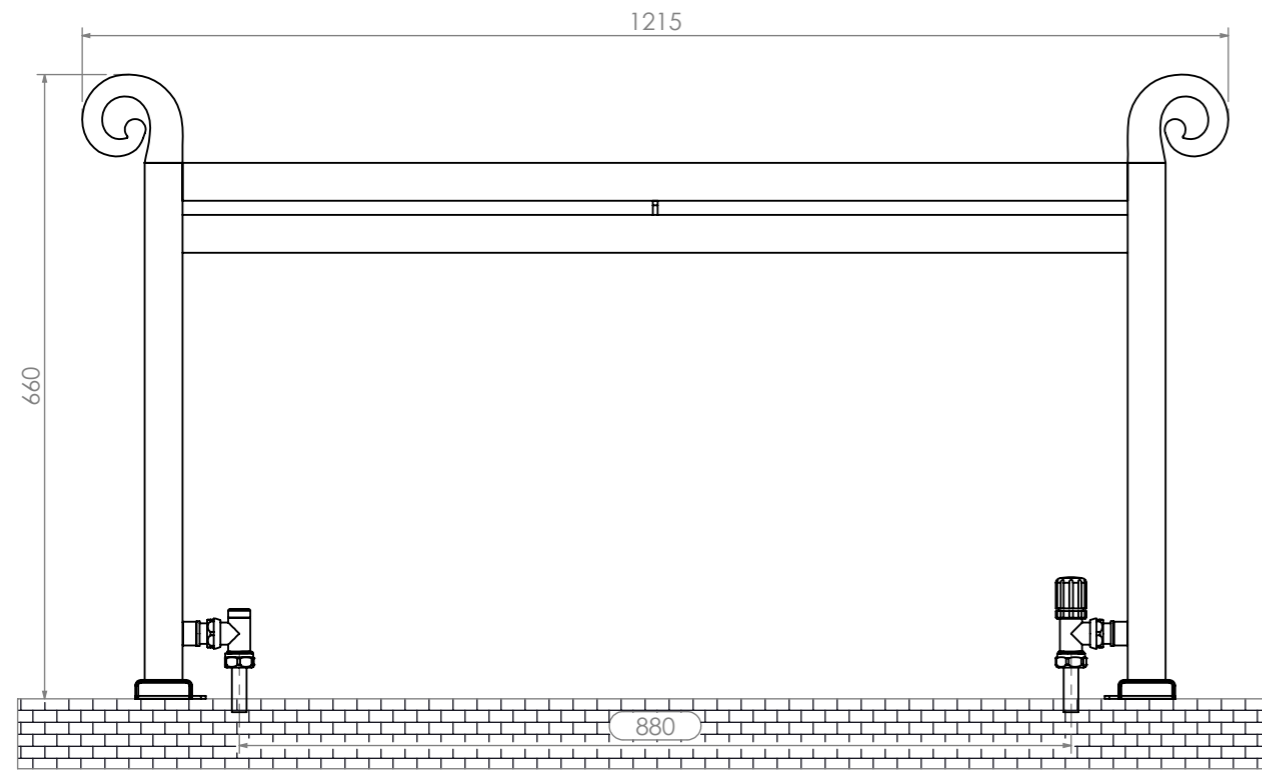
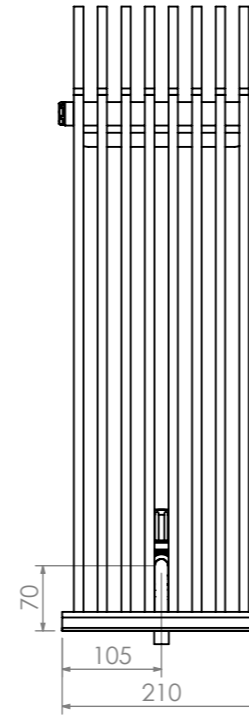


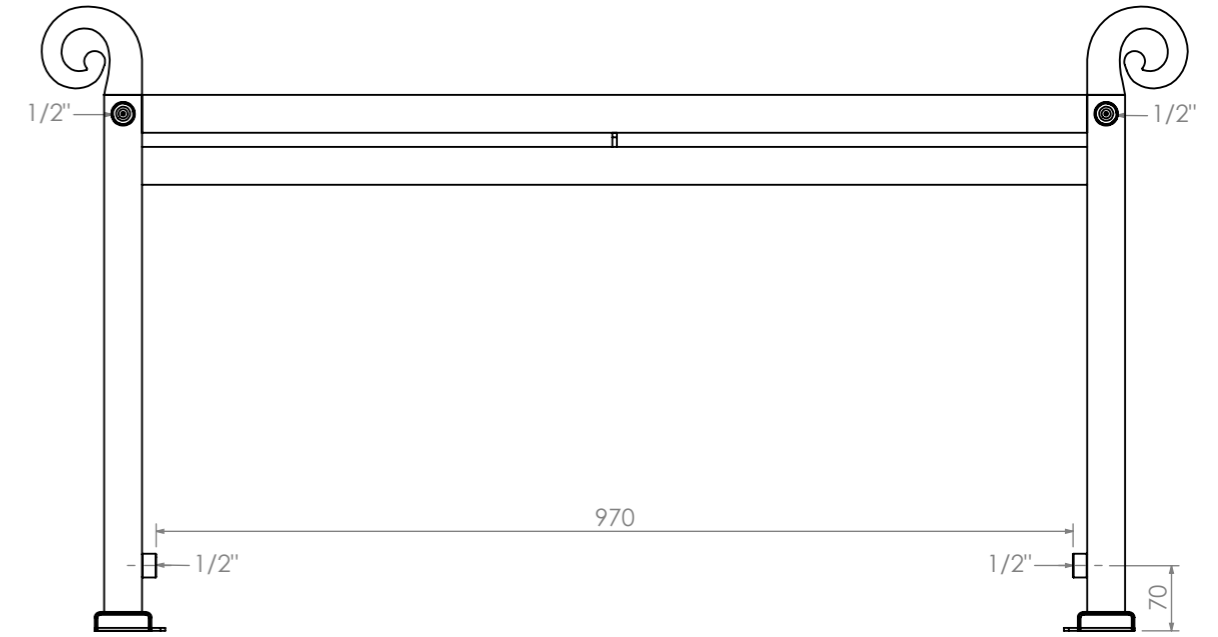
# Grandeur 126



Front View



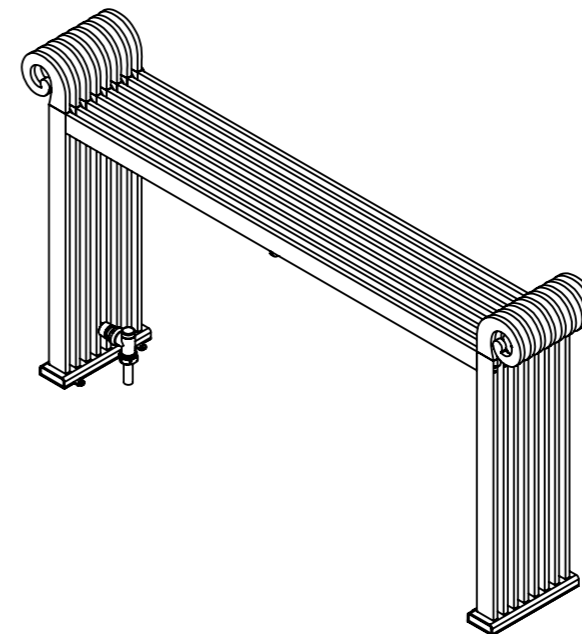
Side View



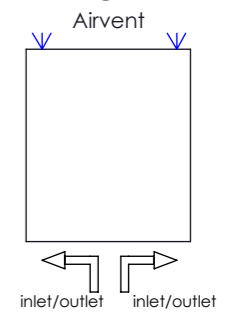
Back View



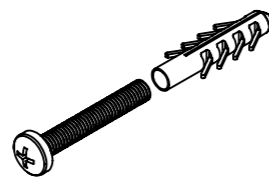
Top View



## Plumbing Position:



## Installation Accessories:



Vertical mount / Free S.  
 All Dimensions are in mm  
 Max. Working Pressure: 10 Bar  
 Max. Working Temperature: 95° C  
 Inlet / Outlet : 1/2" BSP  
 Fuel : H