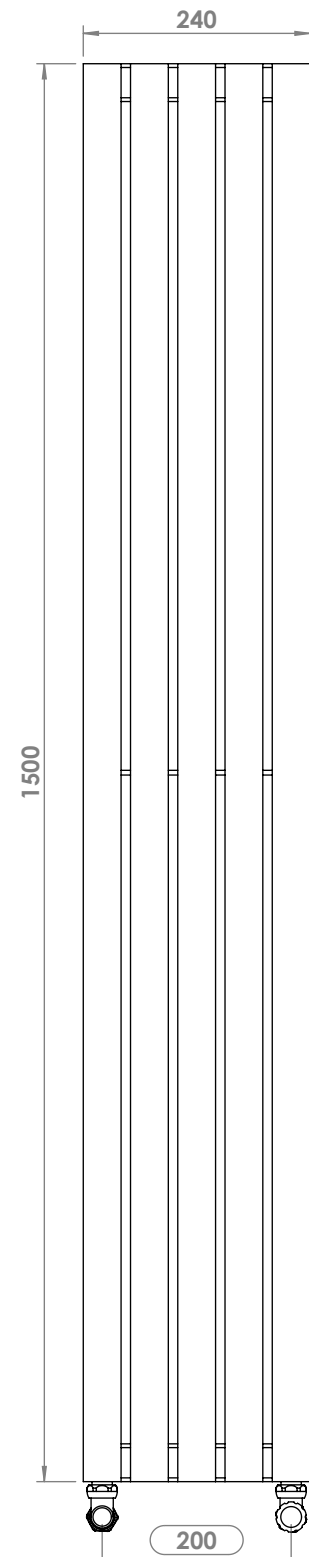
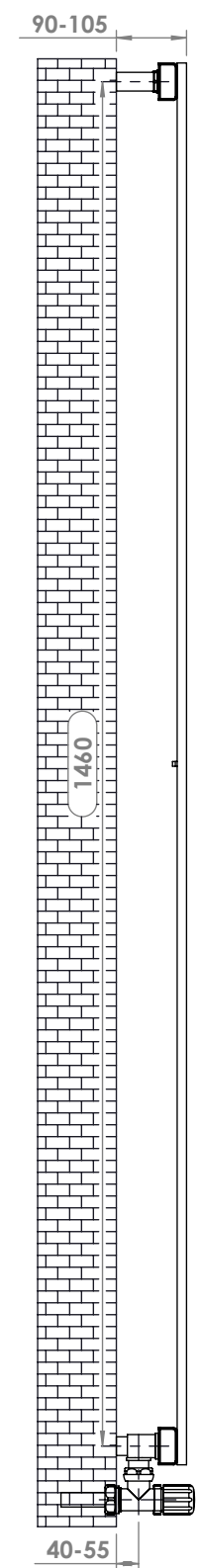


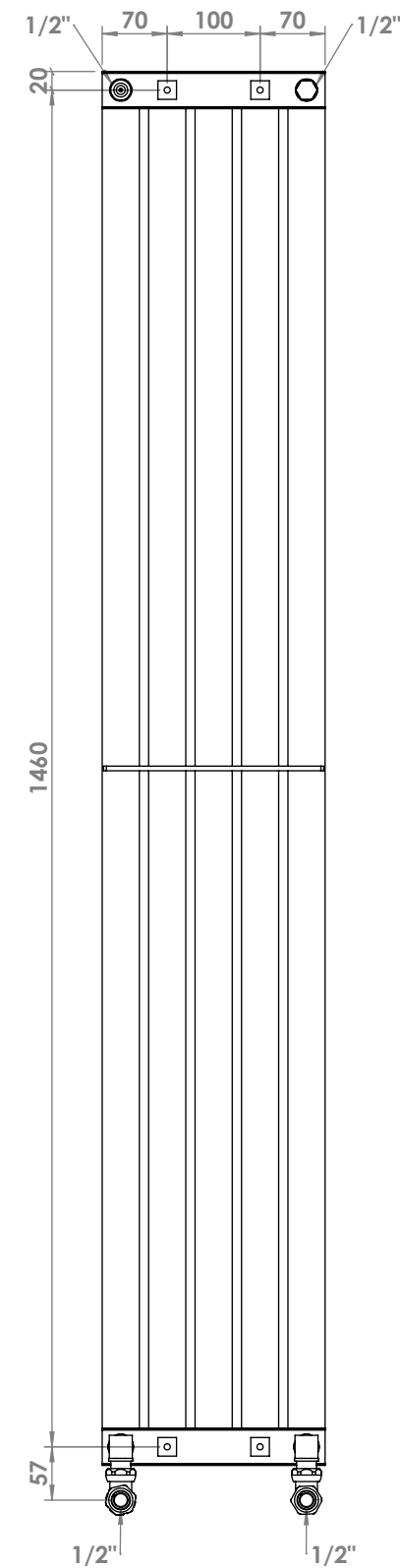
# LUNAR 1505



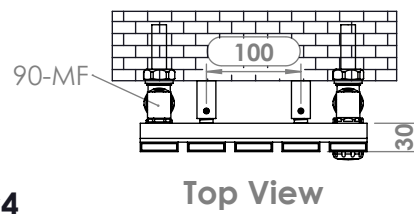
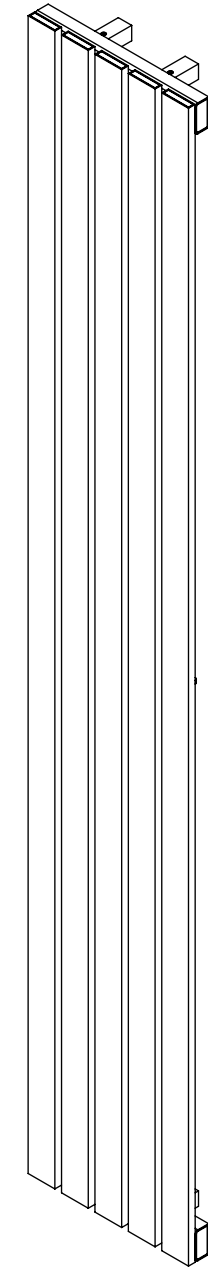
Front View



Side View


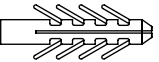






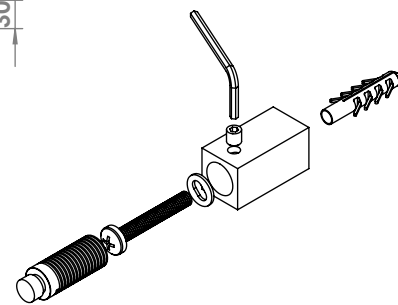
Back View



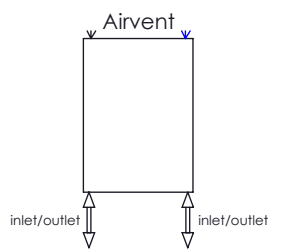
Top View

## Installation Accesories:

- |   |    |   |    |
|---|----|---|----|
|  | x4 |  | x4 |
|  | x4 |  | x4 |
|  | x4 |  | x1 |



## Fitting Position:



Vertical Mount  
 All Dimension are in mm  
 Max.Working Pressure = 10 Bar  
 Max.Working Temperature=95° C  
 Inlet / Outlet : 1/2" BSP  
 Fuel: H