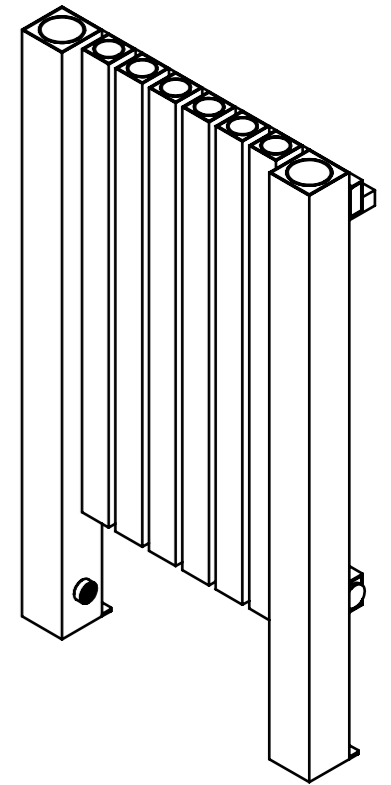
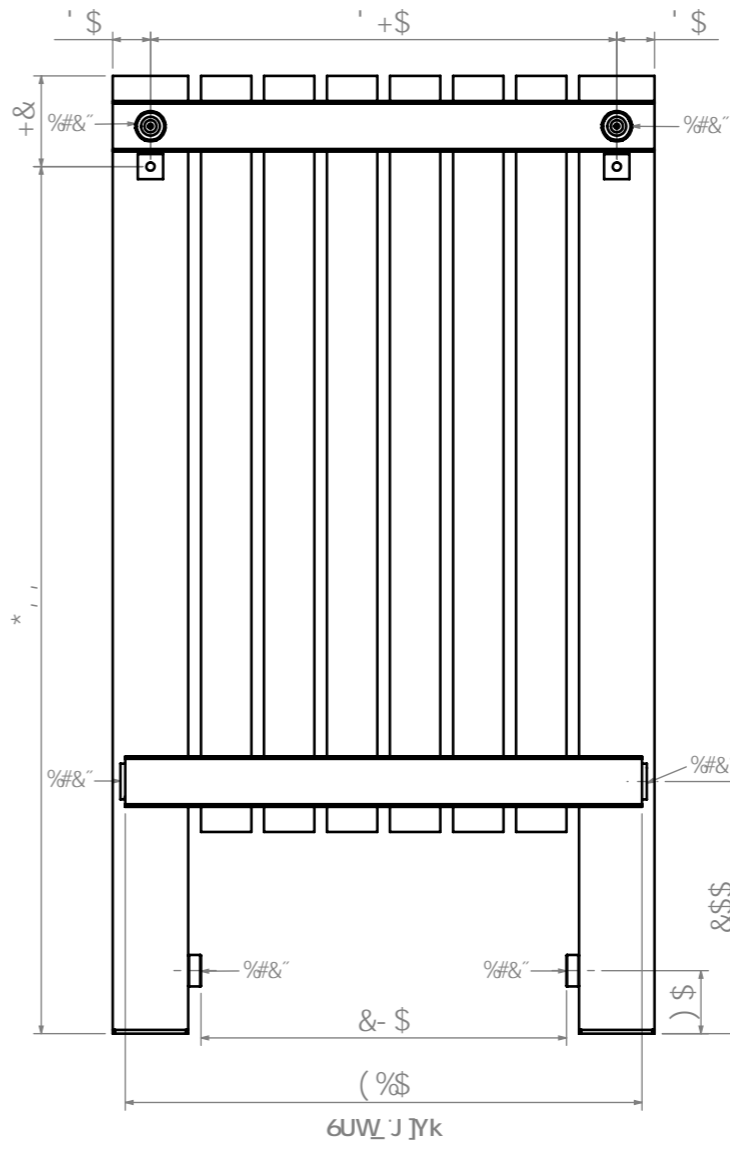
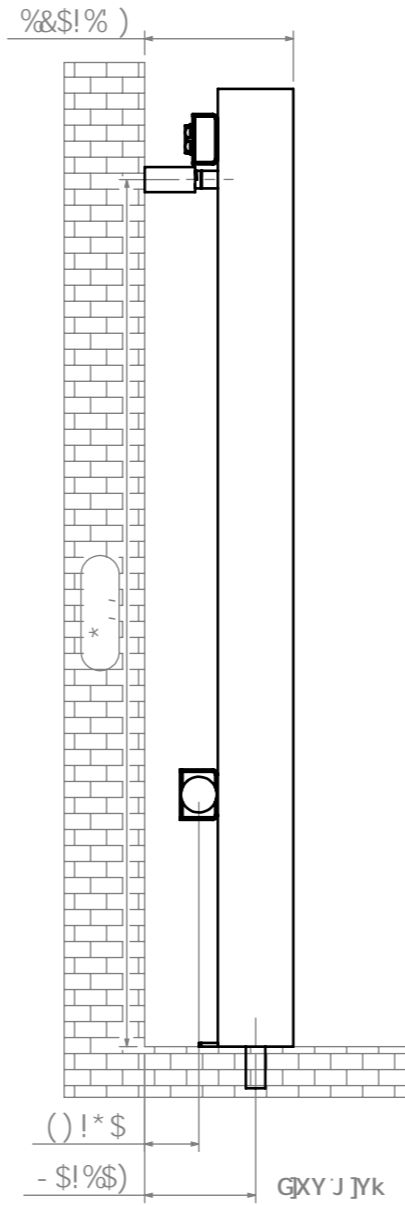
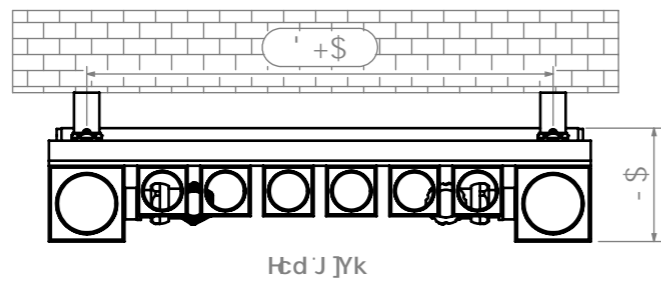
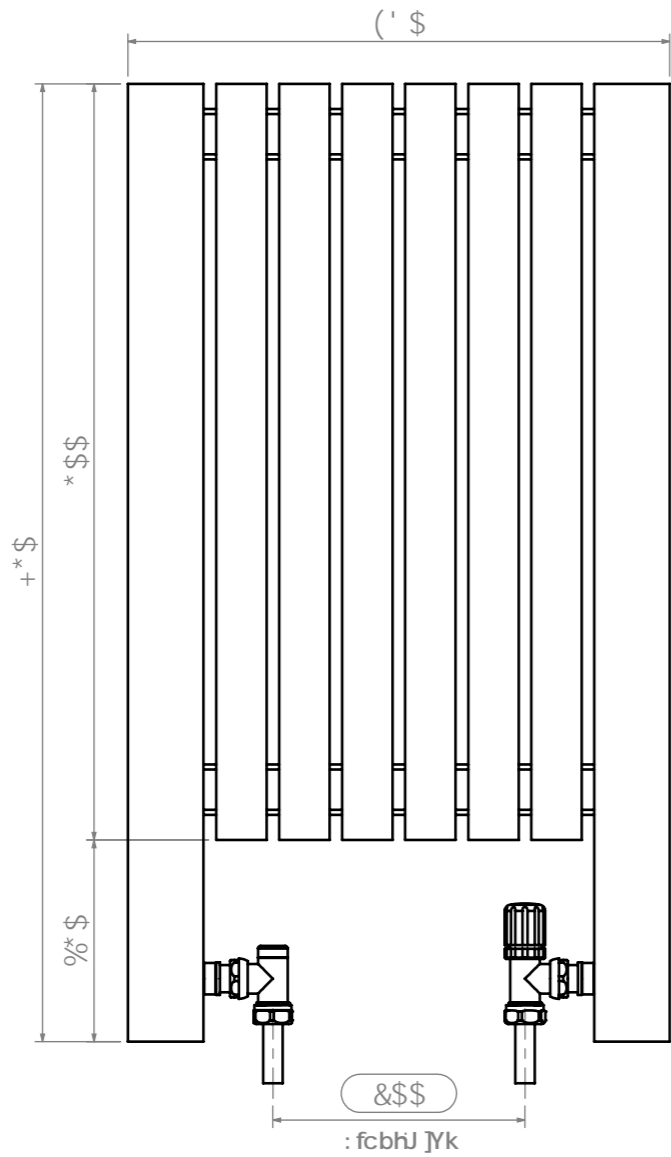
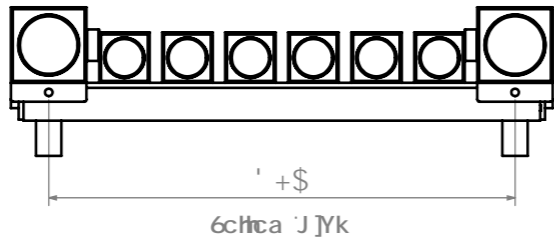



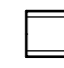
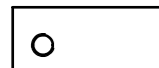

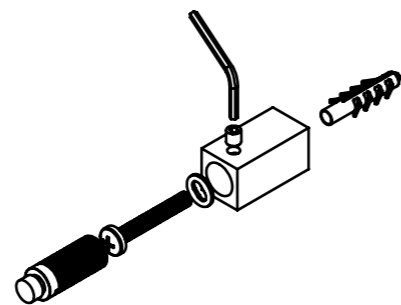


A Ufjcb '@ !+**\$

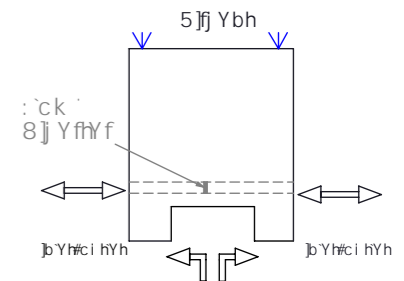


~bgtU~Uhfcb '5VWV ggc fJYg'

- | | | | |
|---|-----|---|-----|
|  | 1 & |  | 1 (|
|  | 1 (|  | 1 & |
|  | 1 & |  | 1 % |

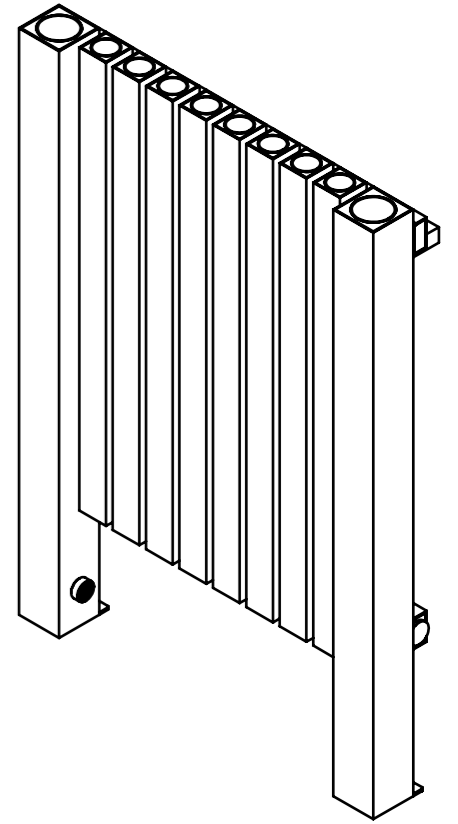
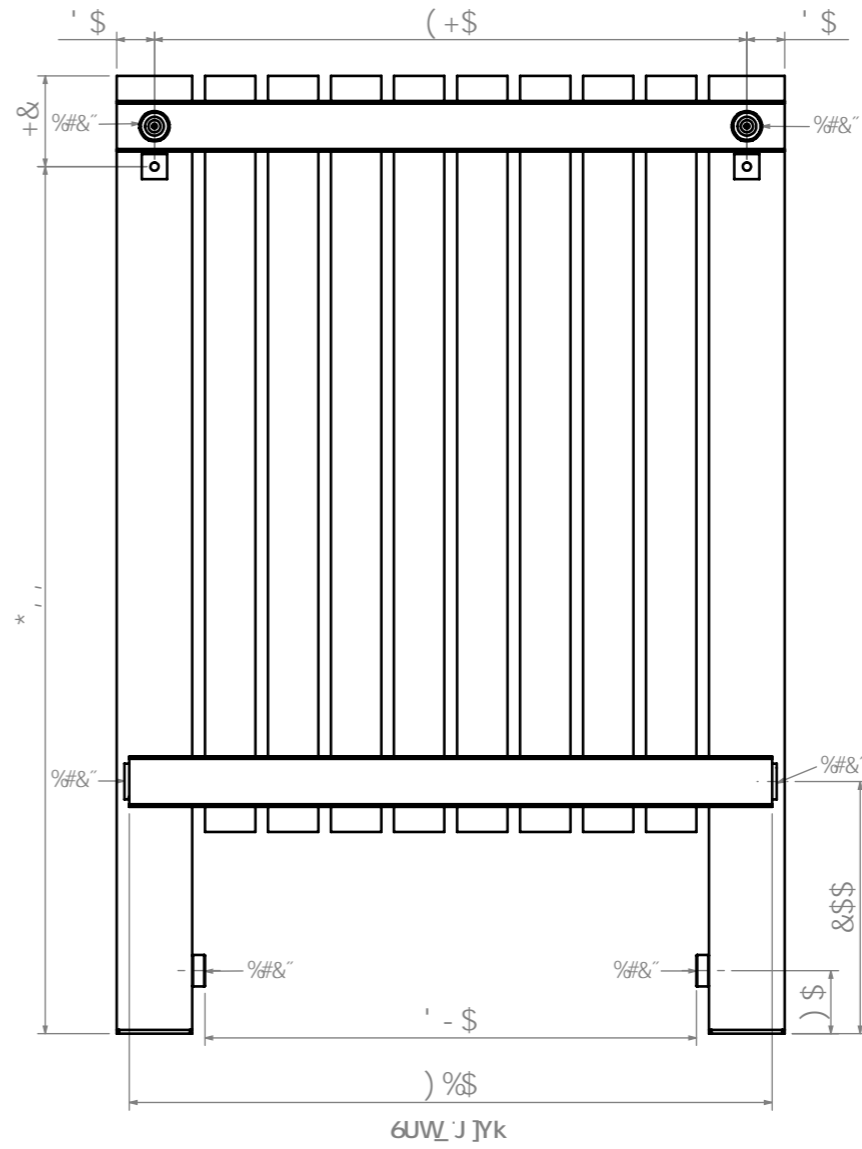
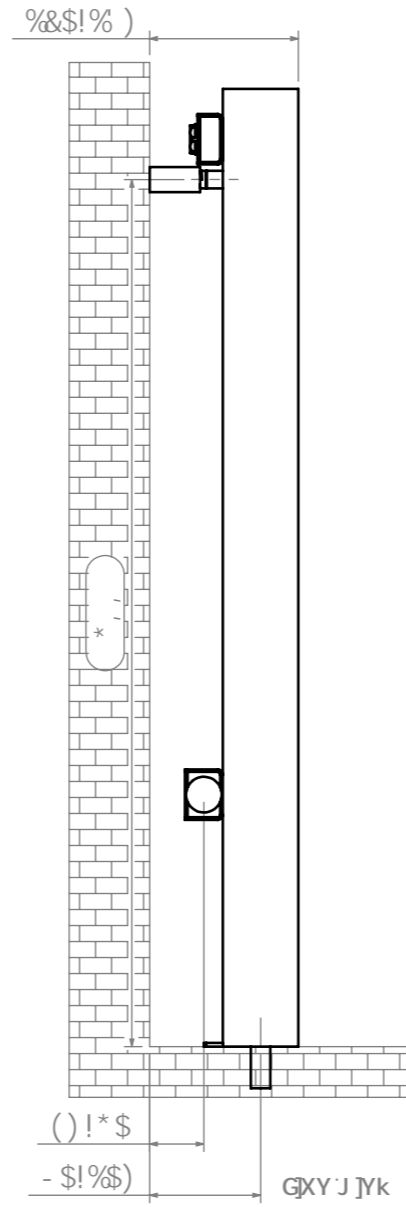
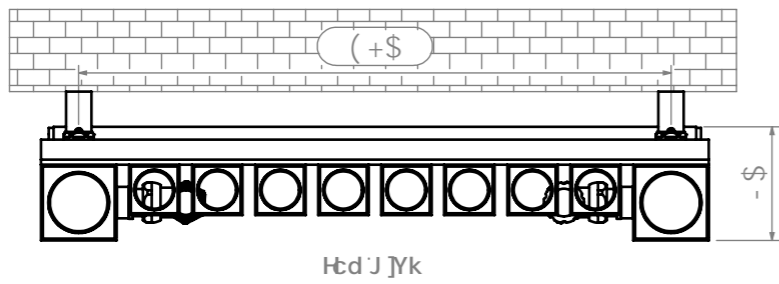
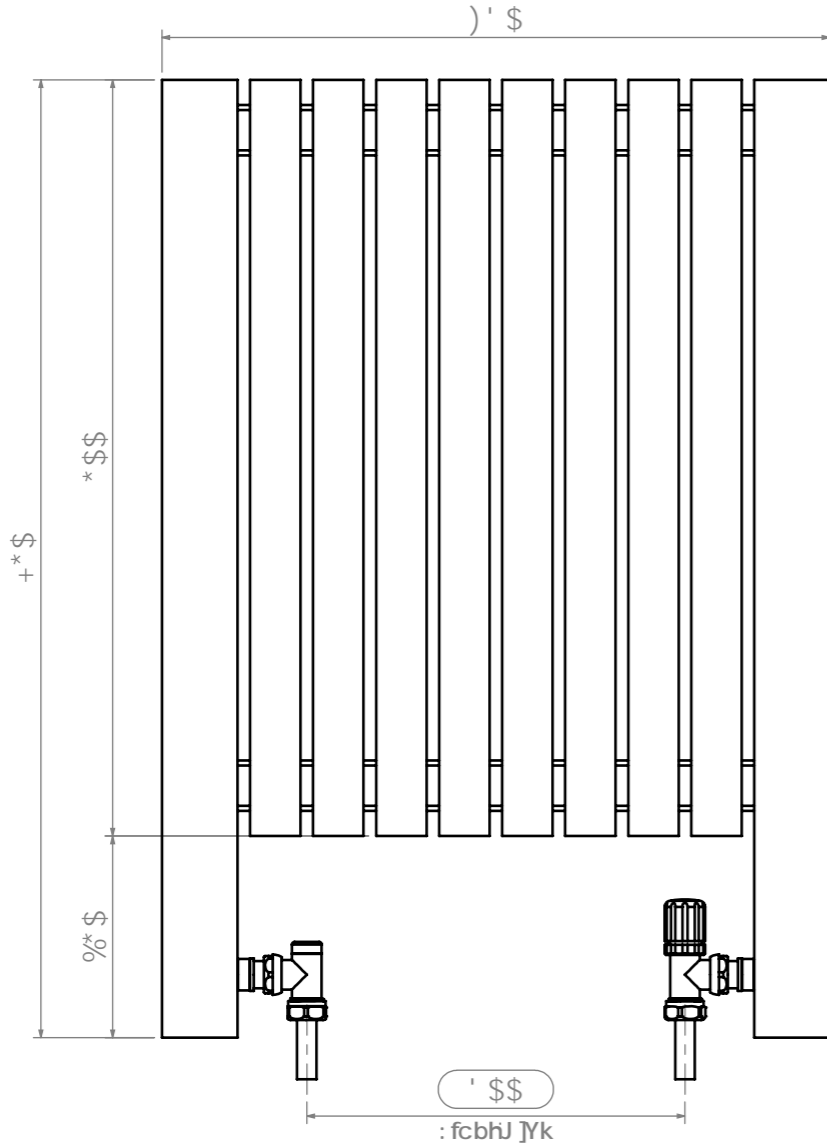
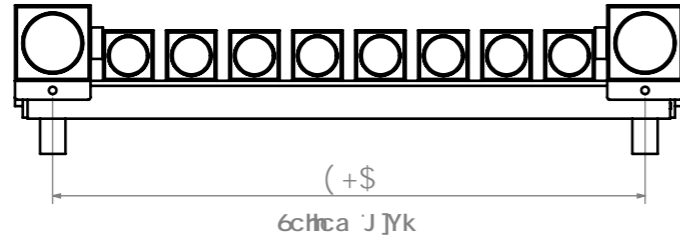


'Di a V]b['Dcghcb.'



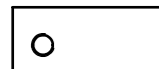
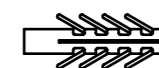




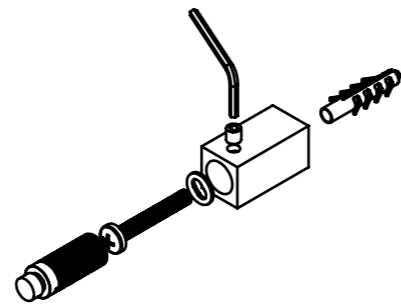
X^i cBa [] c
 C#A0a ^) .a .Ae^A A {
 T aeEY [\a *AU^.. \^kFEOes
 T aeEY [\a *A/\ [\ae \^kU \O
 Q/\^cAU^c^kFBAOUU
 O^ \^kOPEO

A Uf]cb '@%\$!+***\$

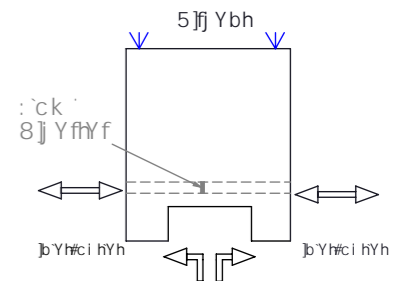


~bqU~Uhfcb '5VWVgpcf]Yg'

-  1 &
-  1 (
-  1 &
-  1 (
-  1 &
-  1 %

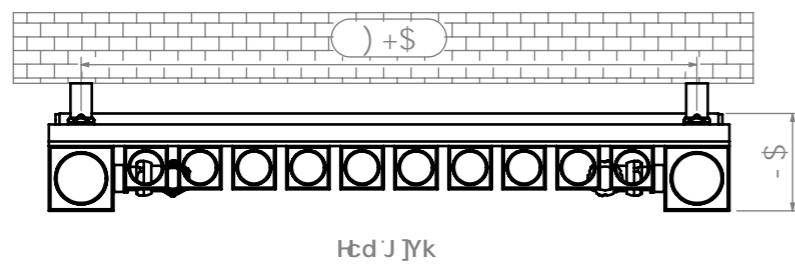
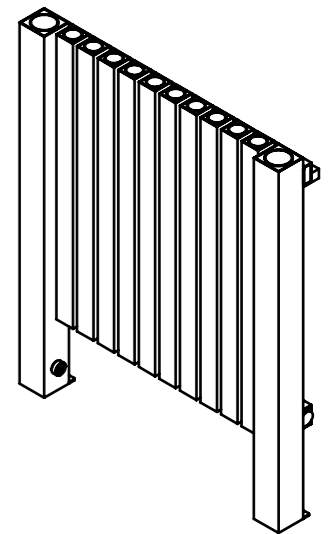
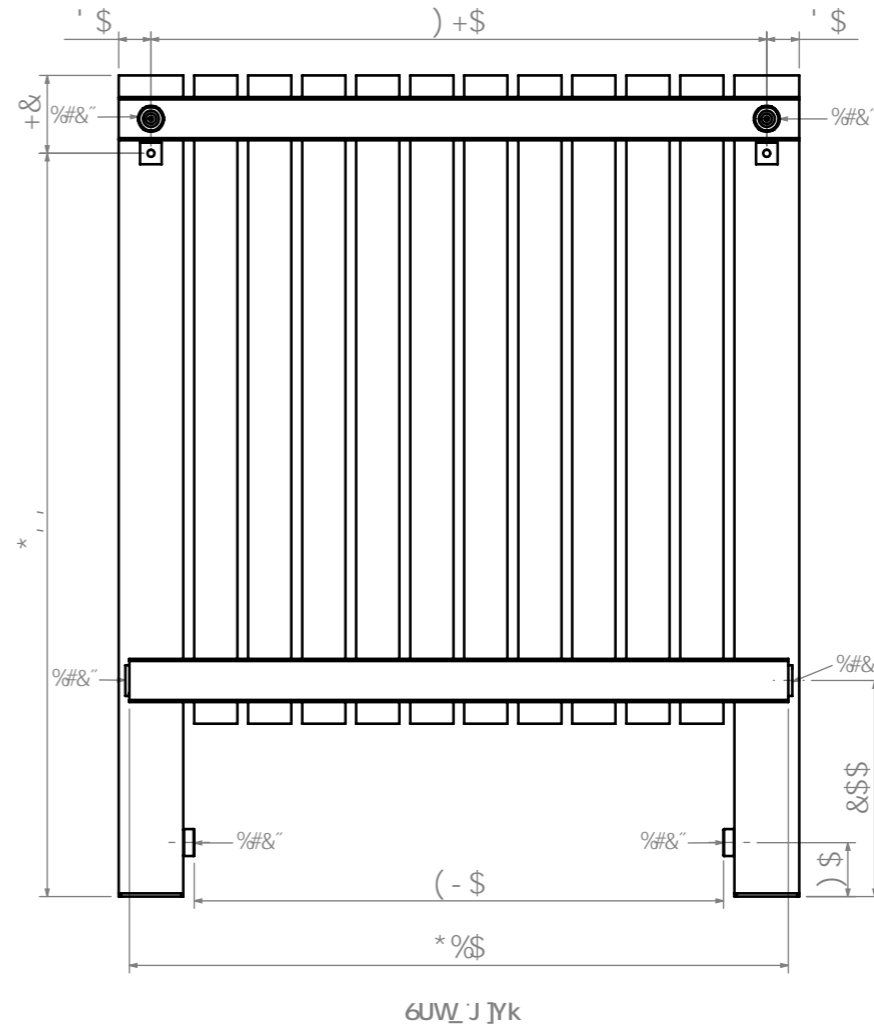
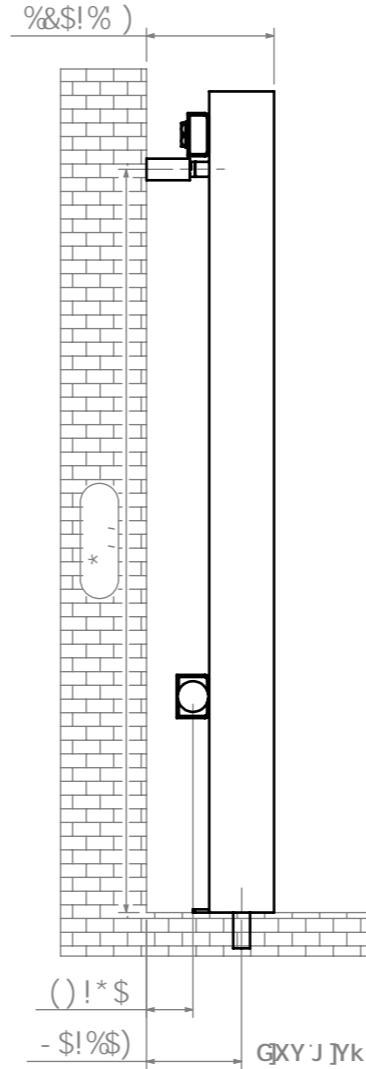
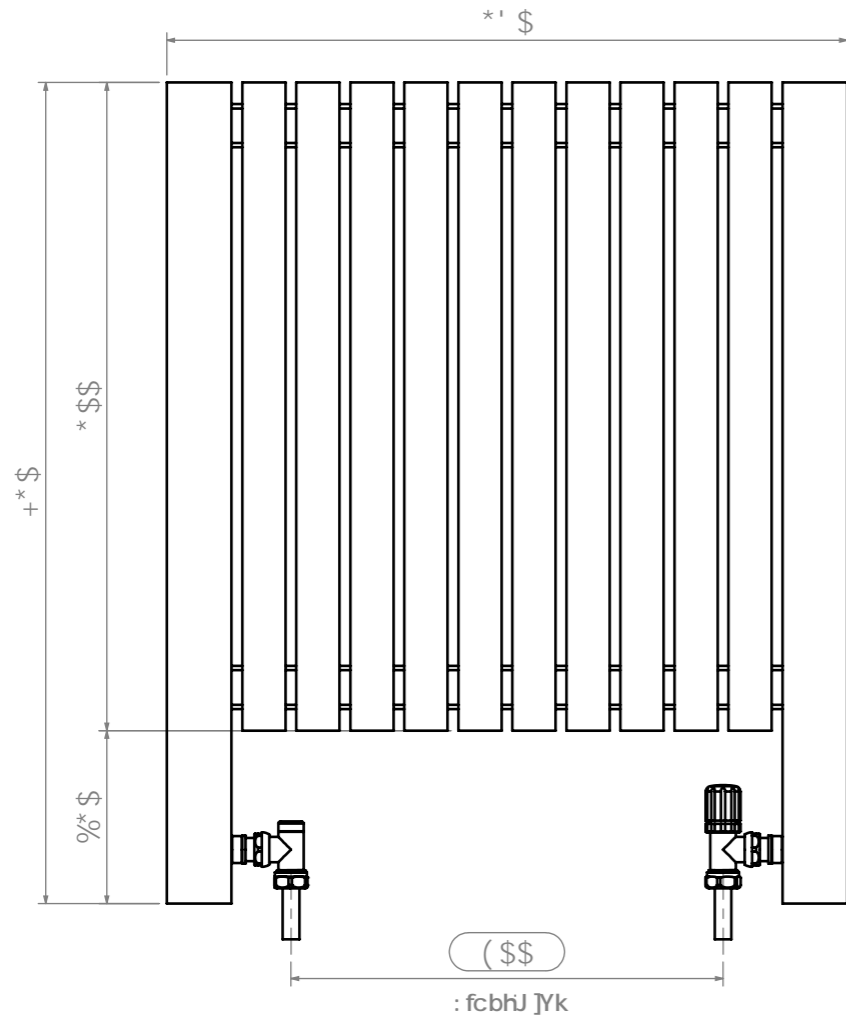
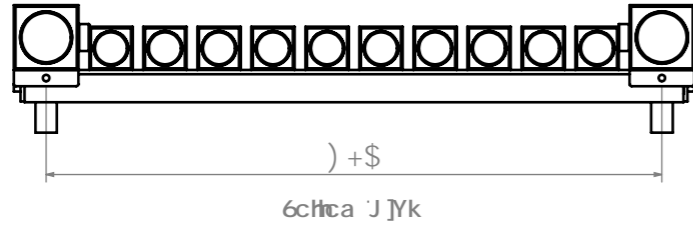


'Di a V]b['Dcgl]cb.'



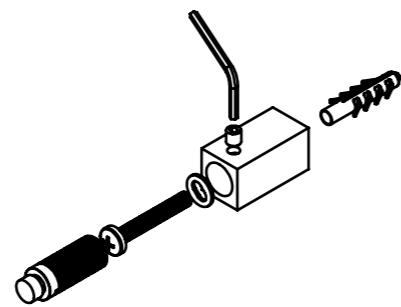
X^i_cBaA [] c
 C#i/Oa ^) .a) .Ae^A/ A {
 T aEY [| \ a * AU^ . . | ^kF e/O aE
 T aEY [| \ a * A/ \] | \ aE | ^kU | »O
 Q | ^cAU^ d^ aK FBAOUU
 Ø ^ | A O P E D

A Uf]cb '@%&!+**\$

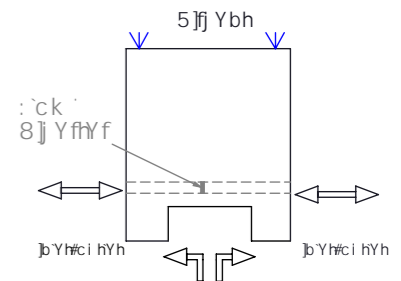


fbgtU~Uh]cb '5WVW ggc f]Yg.'

- 1 &
- 1 (
- 1 (
- 1 &
- 1 &
- 1 %

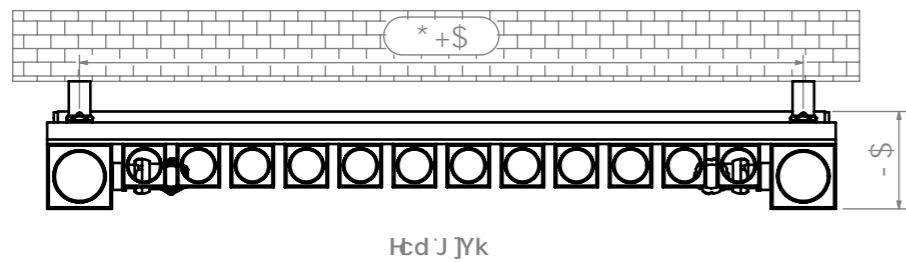
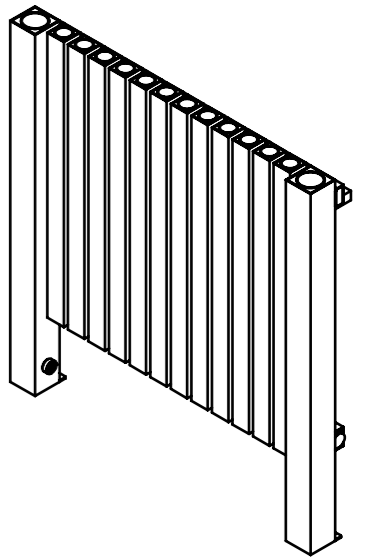
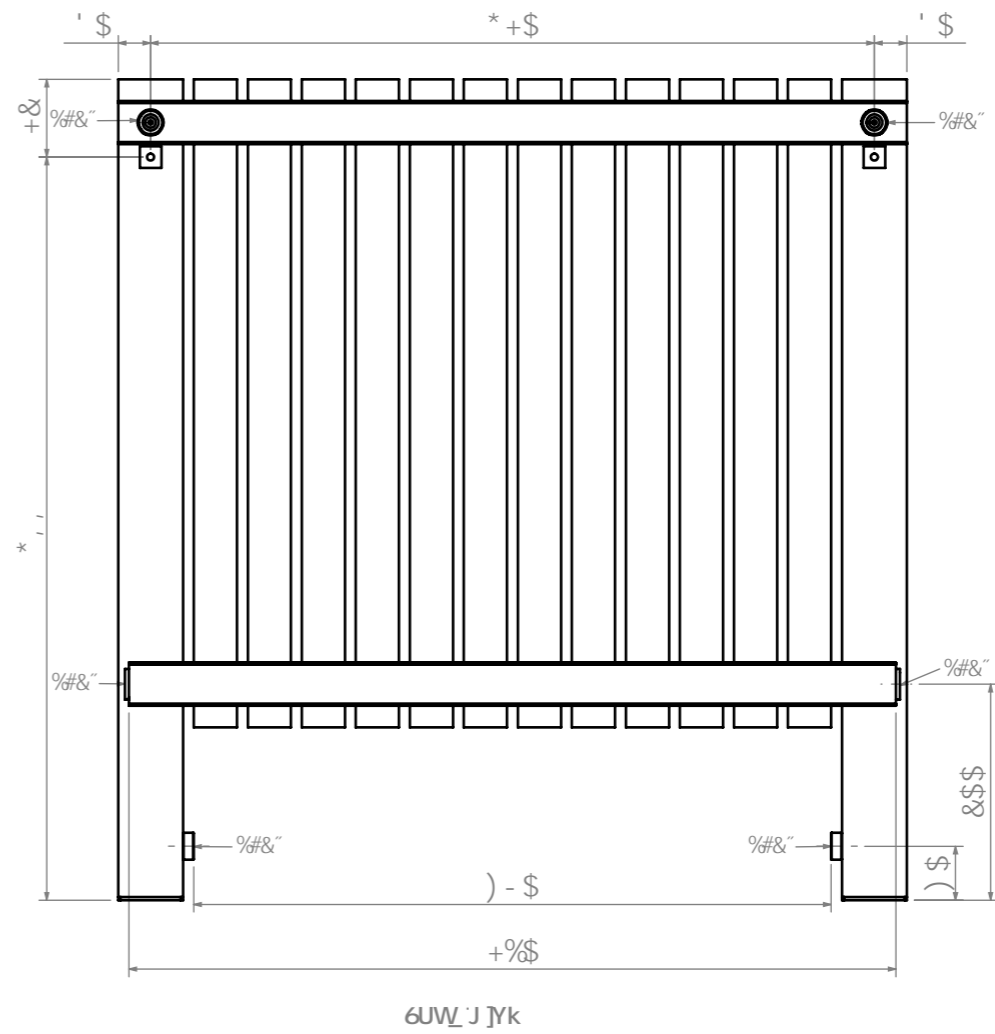
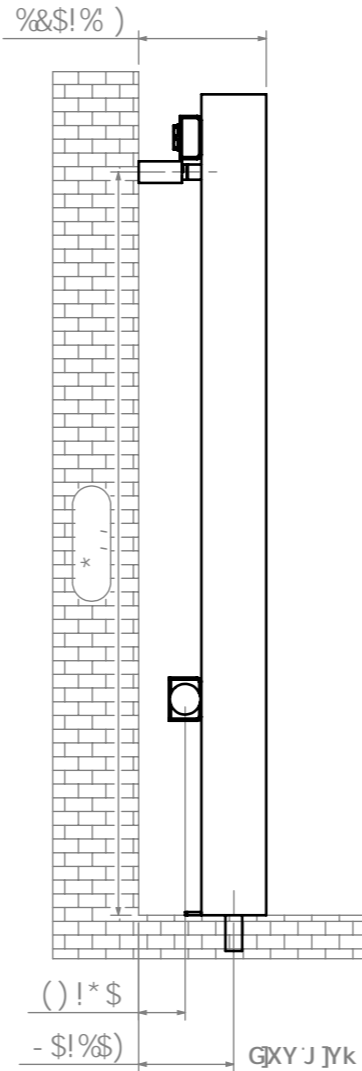
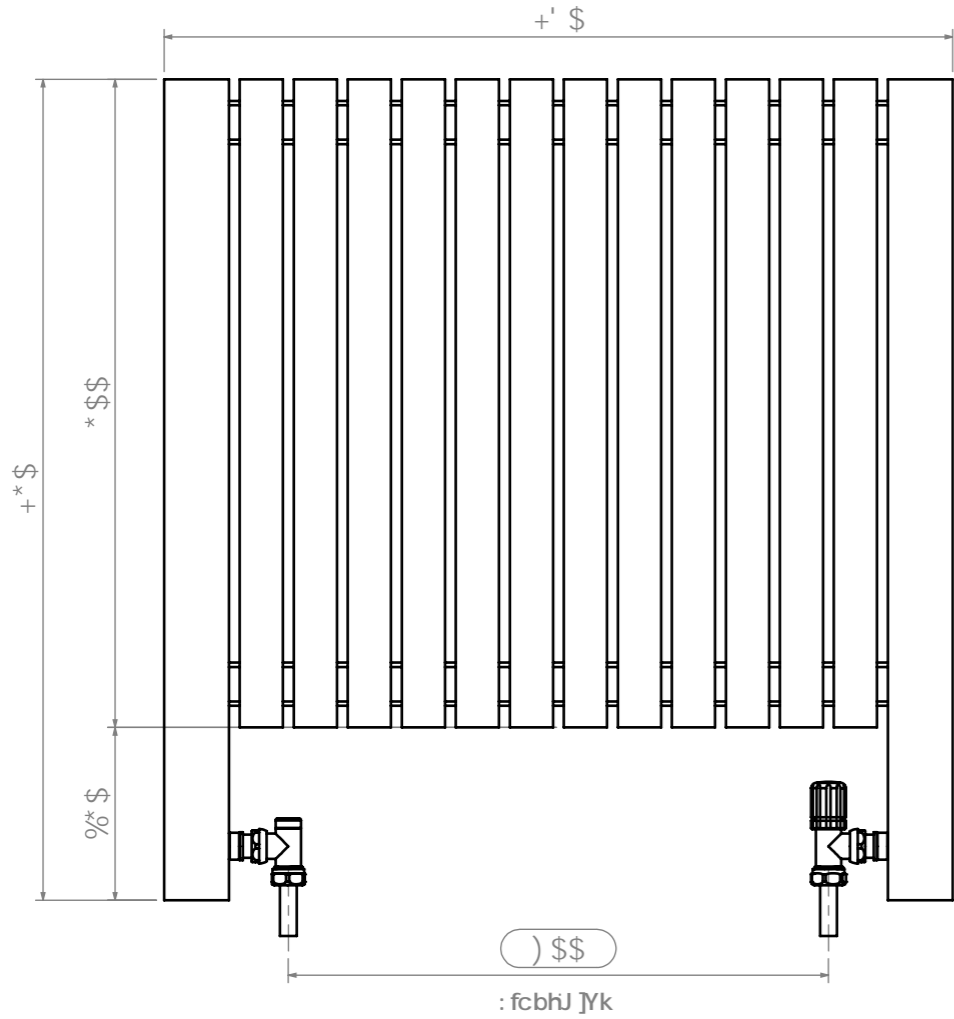
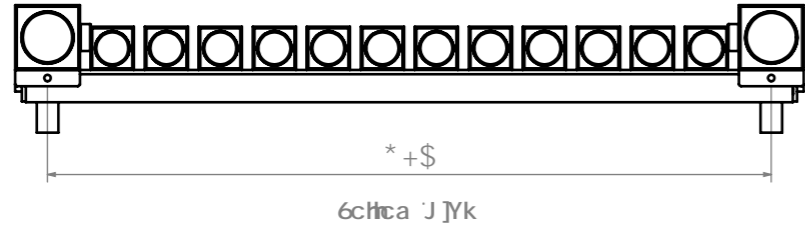


'D'i a V]b['Dcgl]hcb.'

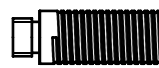

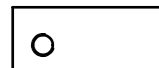
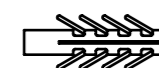




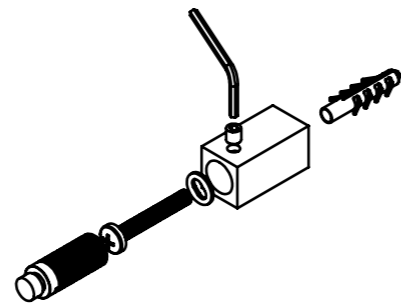
X^i cba [] c
 Oe/Ao ^) .a } .Ae^/A {
 T æEY [\ä * AU^.. \^kF/Aes
 T æEY [\ä * A/\ [] æ i^kU \»Ö
 Q|^AU^ d^AKFEAOUU
 Ø ^|AOPED

A Uf]cb '@%(!+***\$

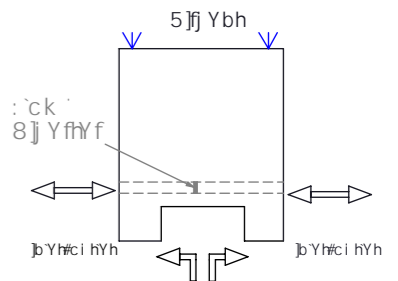


~bqU~Uf]cb '5VWV ggc f]Yg'

-  1 &
-  1 (
-  1 &
-  1 (
-  1 &
-  1 %

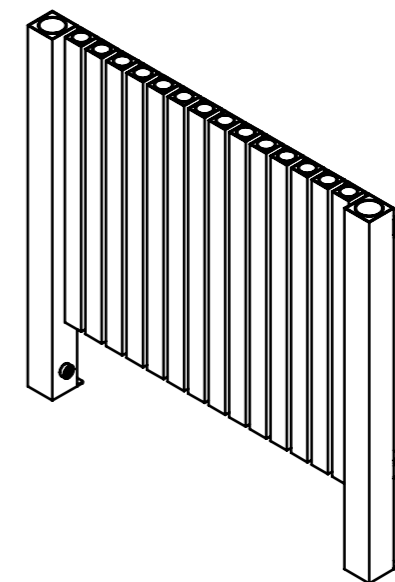
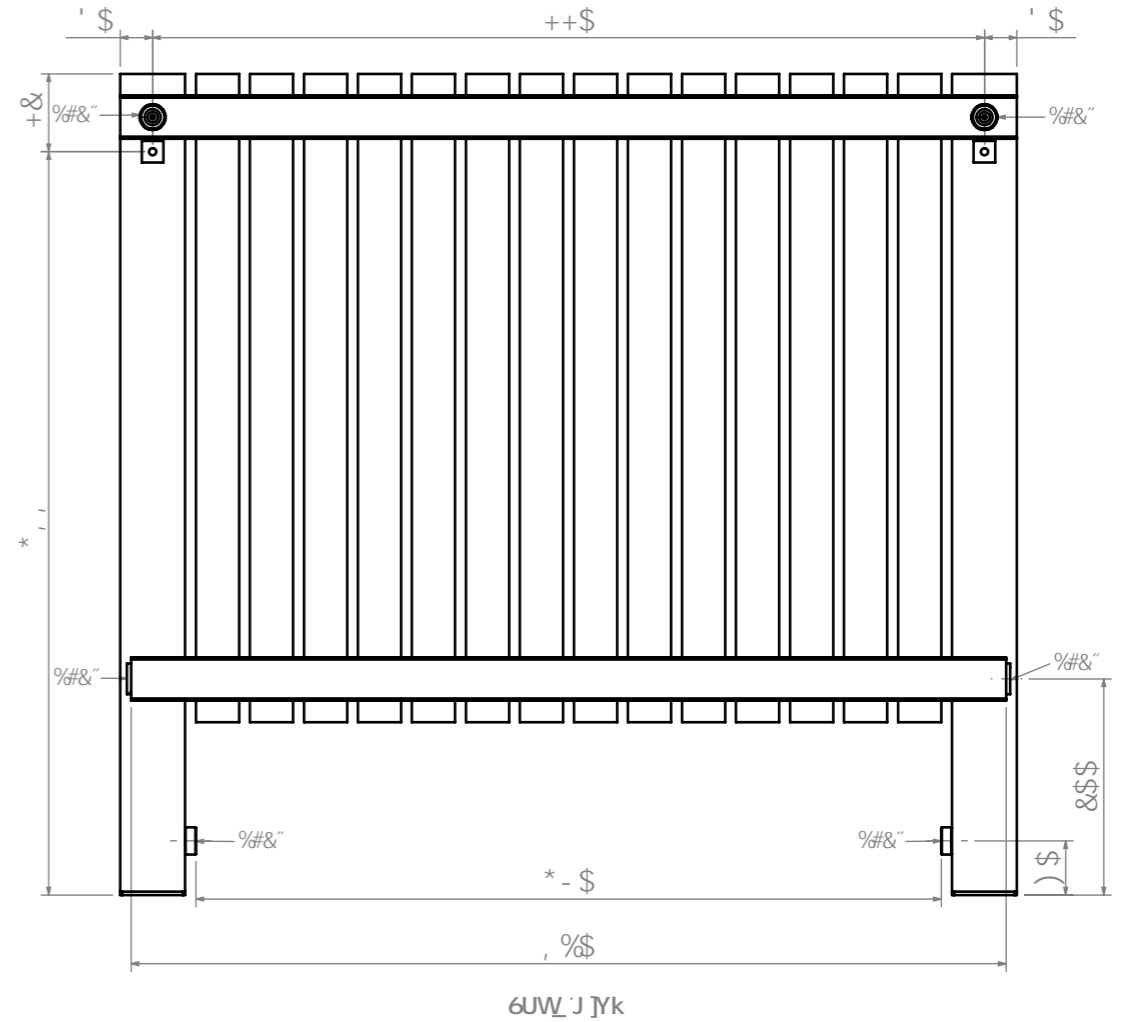
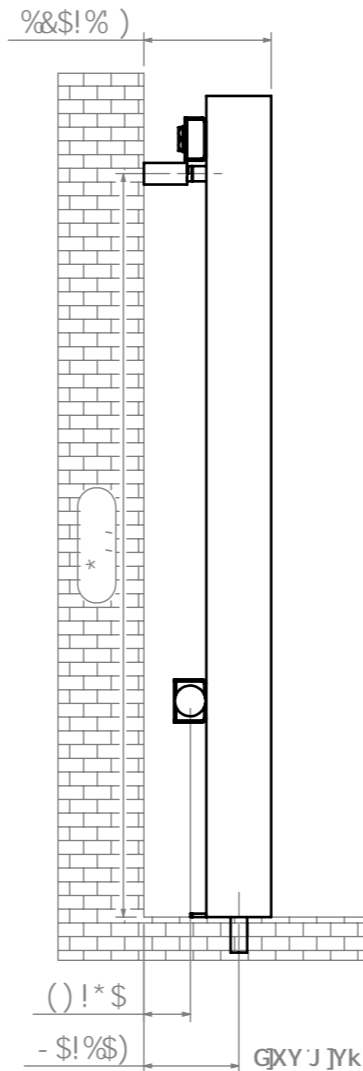
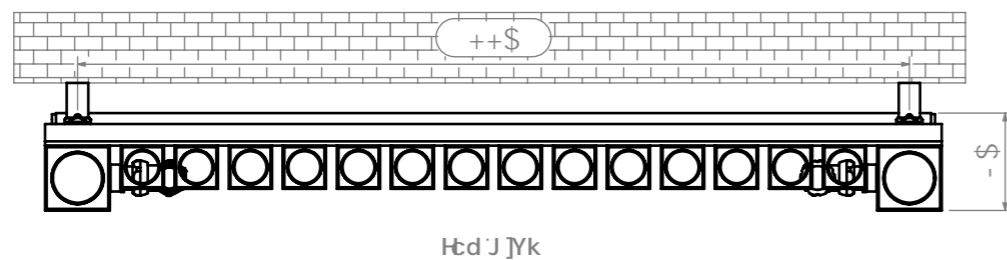
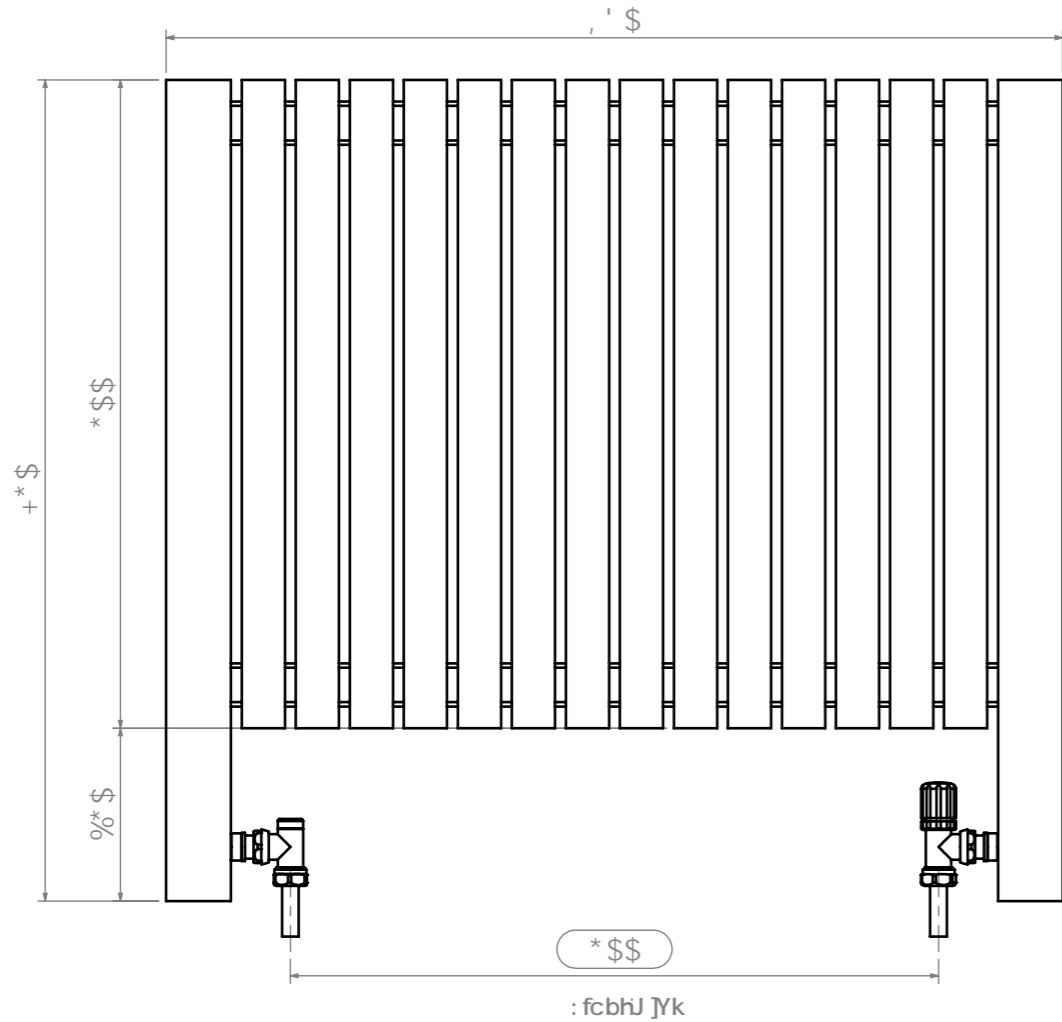
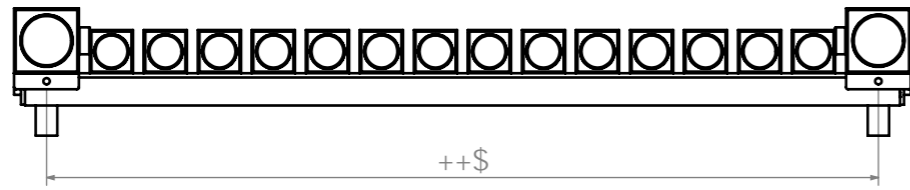


'D'i a V]b['Dcgl]hcb.'

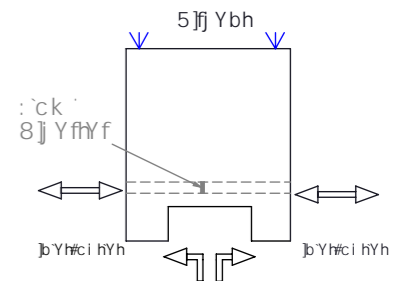


X^i cBa [] c
 C#i/Oa ^) . a } . Ae^/A {
 T aeEY [] a * AU^ . . ^ hF/Oes
 T aeEY [] a * A^ [] ae i^hU] O
 Q] ^ d AU d^ a KFBAYOUU
 O ^ A O P E D

A Uf]cb @%*!+**\$


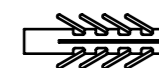


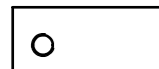



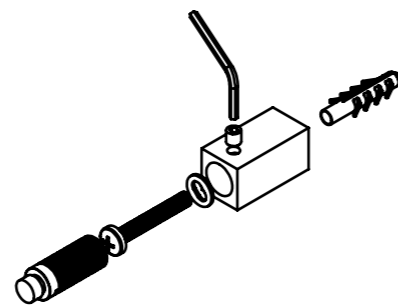
D'i a V]b['Dcgl]cb.'



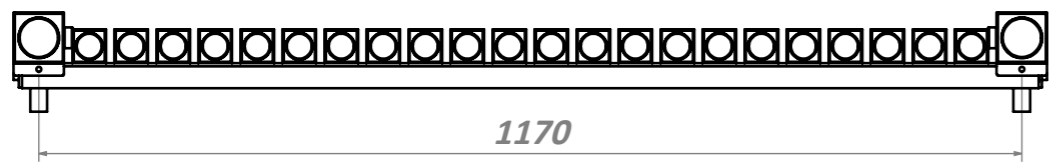
X^i cBa [] c
 C#i Oa ^) . a } . Ae^A A {
 T aeY [] a * AU^ . . ^ hF e Oes
 T aeY [] a * A^ [] ae i^ hU] O
 Q] ^ d AU^ d^ a K F B A O U U
 O ^ A O P E D

~bgtU~Uh]cb '5 VVV ggc f]Yg.'

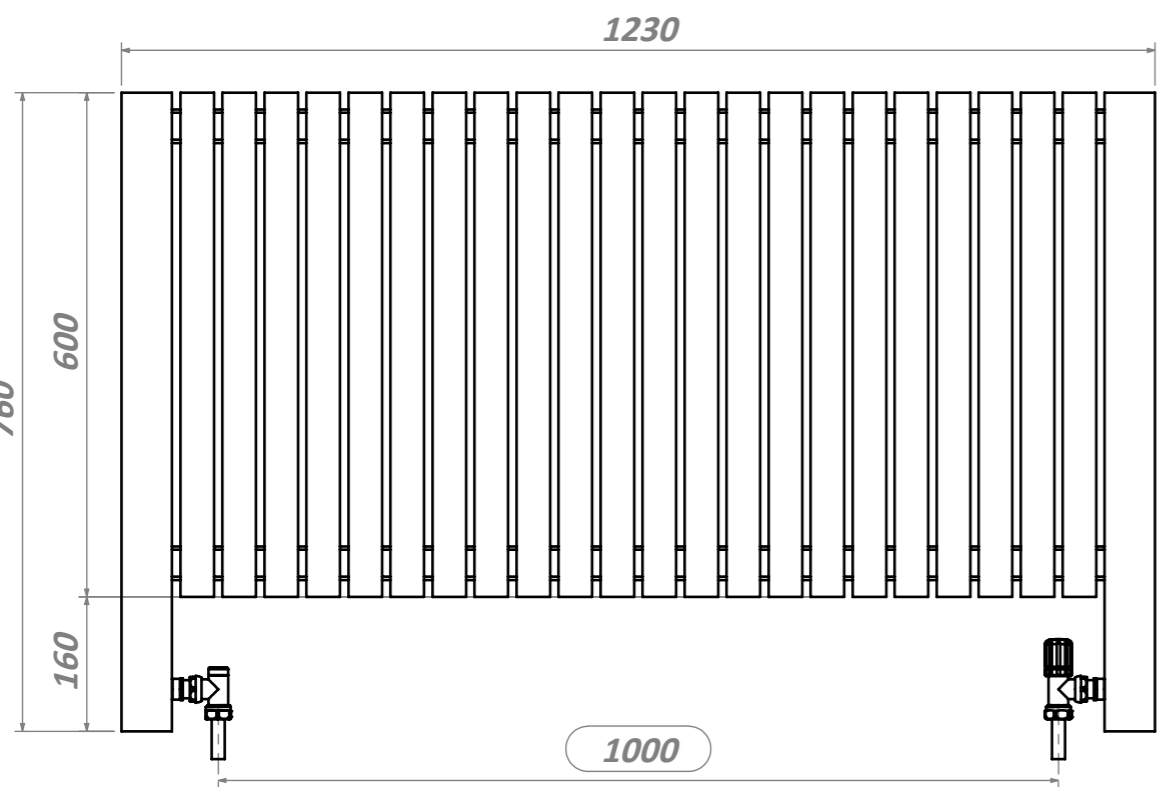
- | | | | |
|---|-----|---|-----|
|  | 1 & |  | 1 (|
|  | 1 (|  | 1 & |
|  | 1 & |  | 1 % |



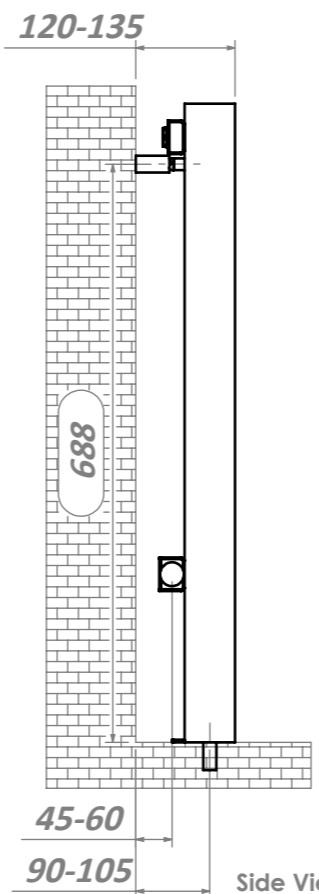
Marion L24-7660



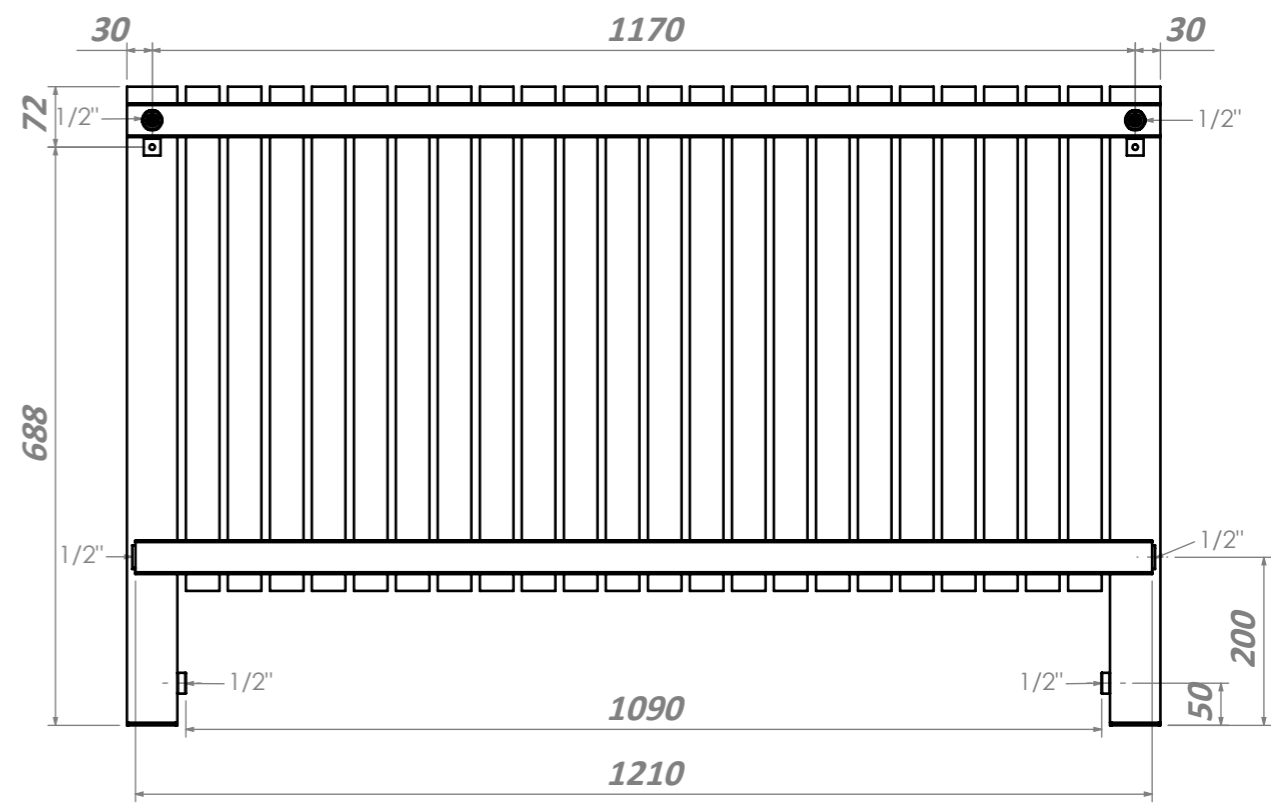
1170
Bottom View



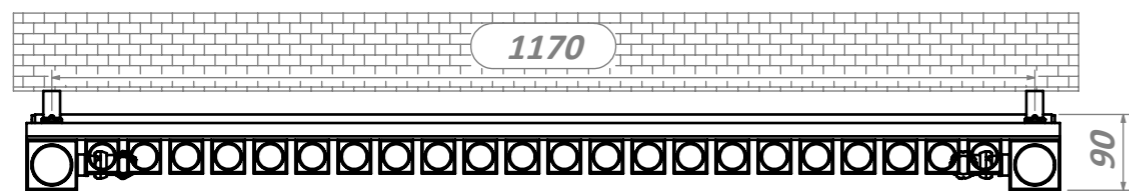
1230
760
600
160
1000
Front View



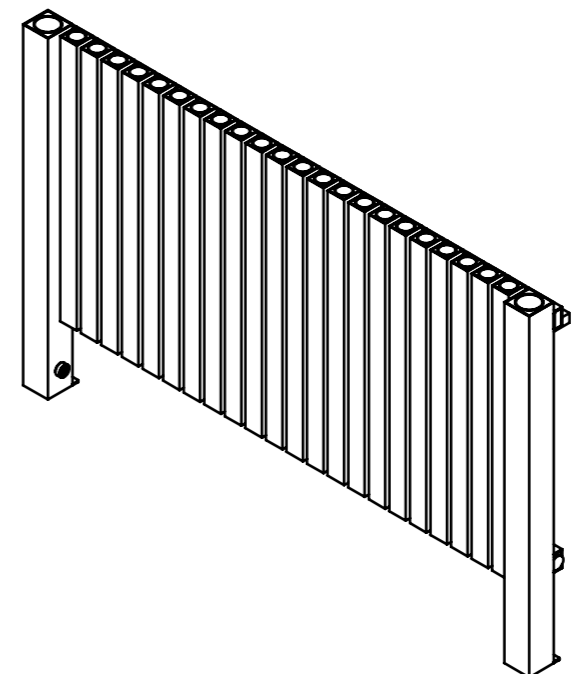
120-135
688
45-60
90-105
Side View




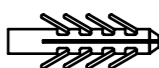


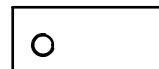

30
1170
30
72
1/2"
688
1/2"
1090
1210
1/2"
50
200
1/2"
1/2"
Back View

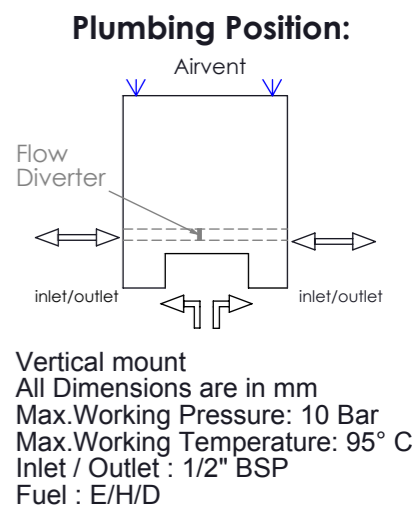
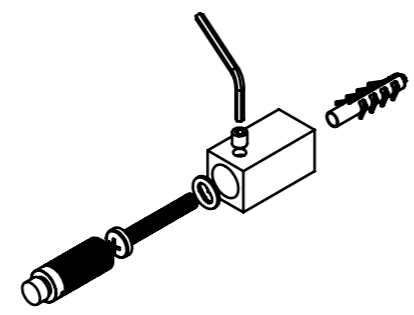


1170
90
Top View

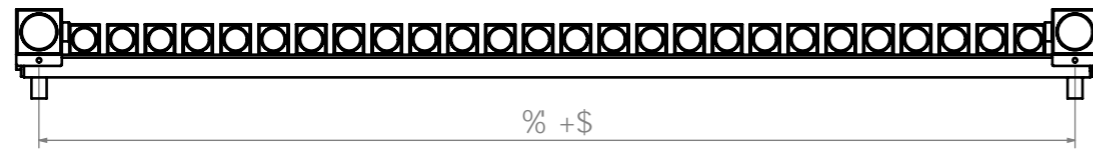


Installation Accessories:

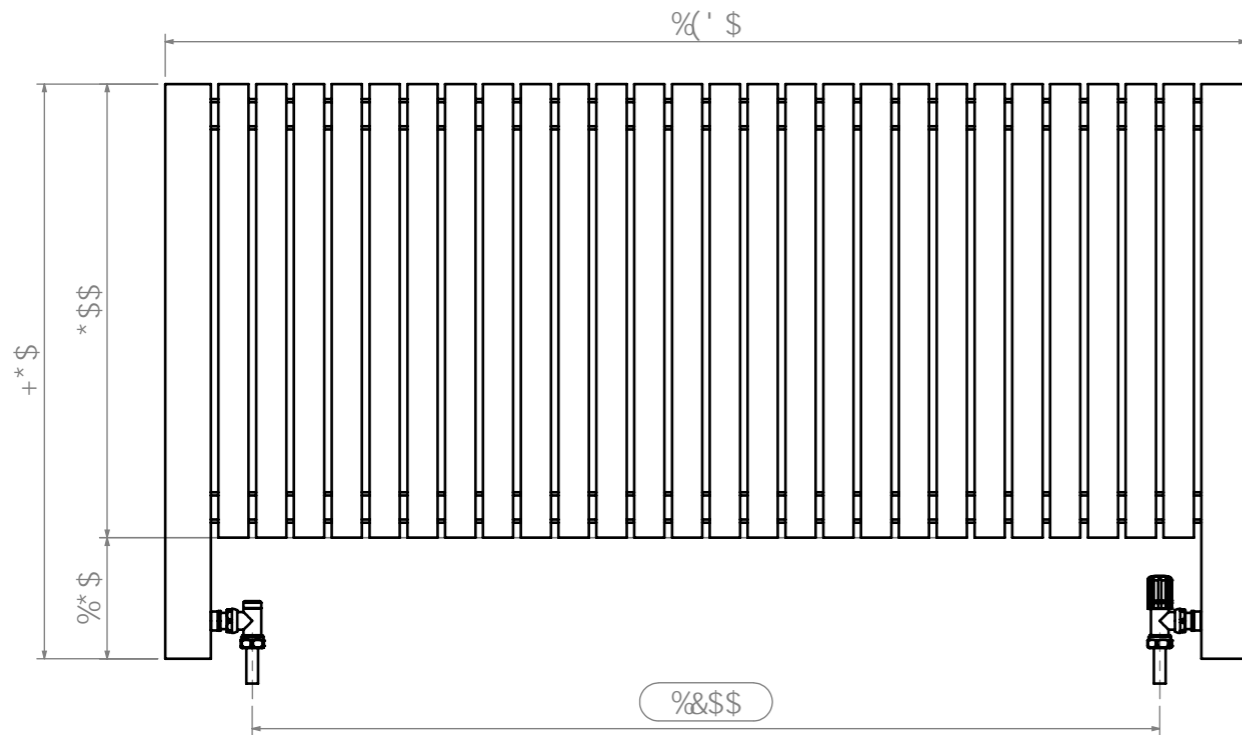
-  x2
-  x4
-  x4
-  x2
-  x2
-  x1



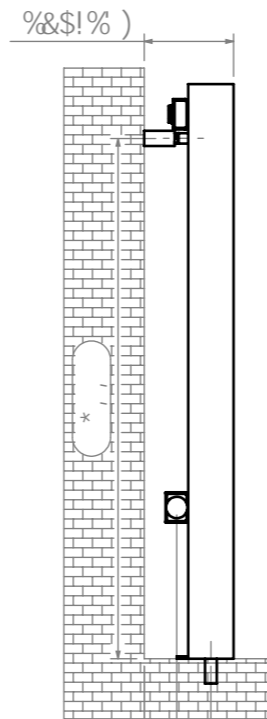
A Uf]cb '@, !+**\$



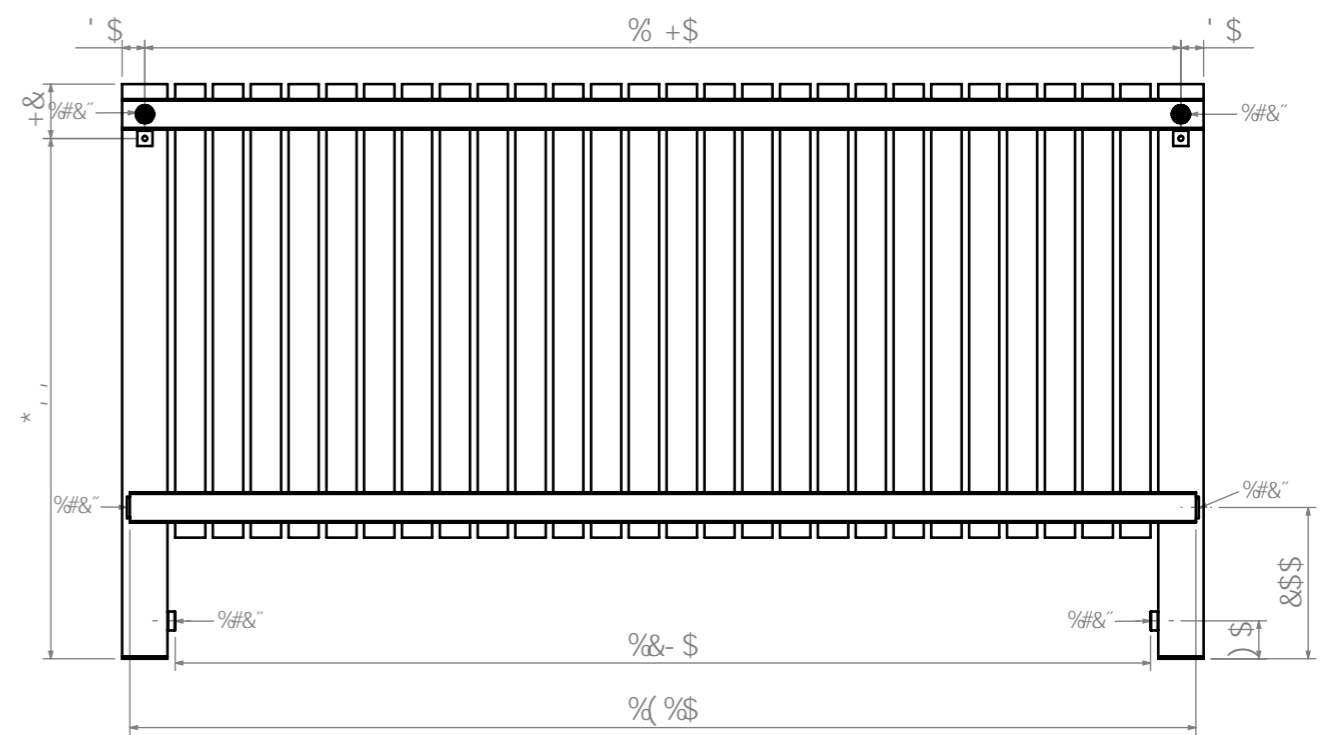
% +\$
6c]ta J Yk



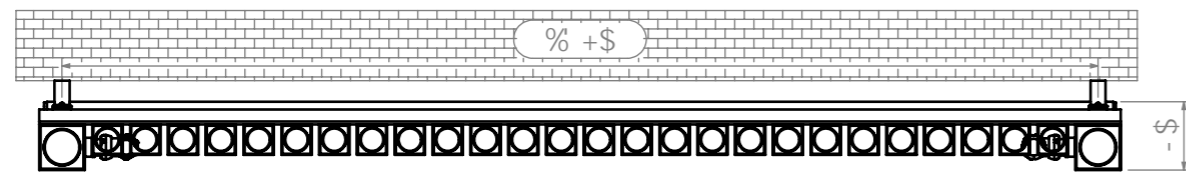
%&\$\$
: fcb]J Yk



()!*\$
- \$!%\$) GXY J Yk

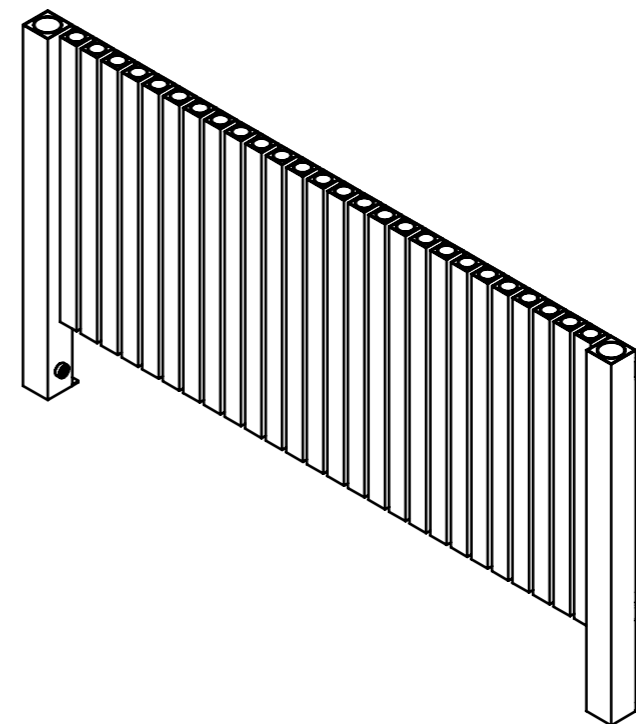


6UW J Yk

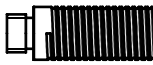



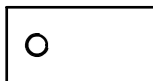



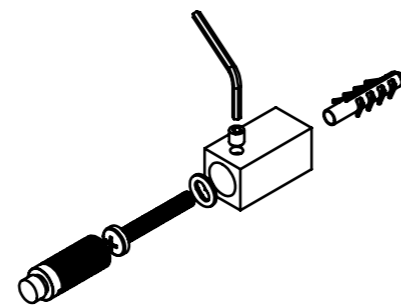
% +\$

Hcd J Yk

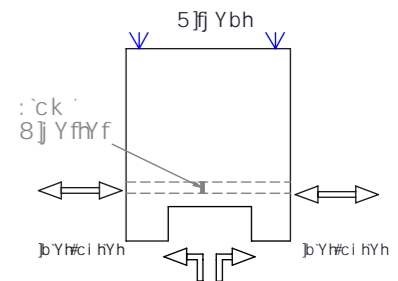


!bg]U~Uh]cb '5VW]ggcf]Yg'

- | | | | |
|---|-----|---|-----|
|  | 1 & |  | 1 (|
|  | 1 (|  | 1 & |
|  | 1 & |  | 1 % |

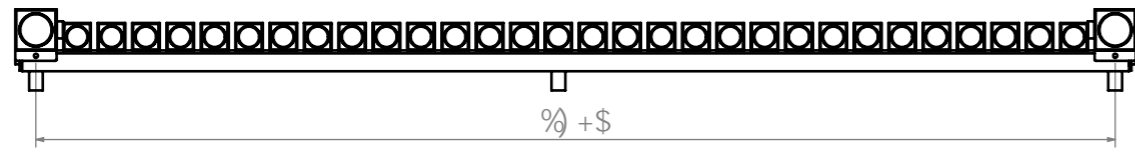


D'i a V]b['Dcg]hcb.'

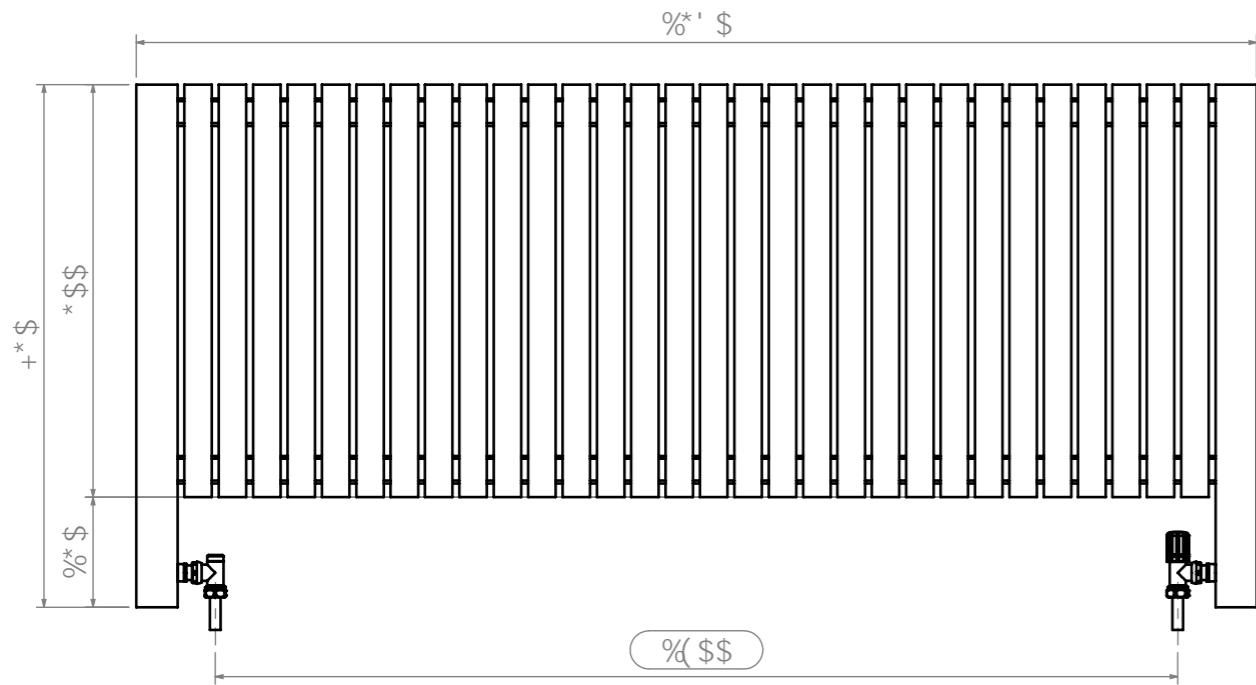


X^i cBa [] c
 C]i/Oa ^) .a} .Ae^/A A {
 T aEY [] a *AU^.. ^kF/Oe
 T aEY [] a *A^/ [] a e ^kU] O
 Q] ^oAU d^o kFBAOUU
 O ^i AOE P O

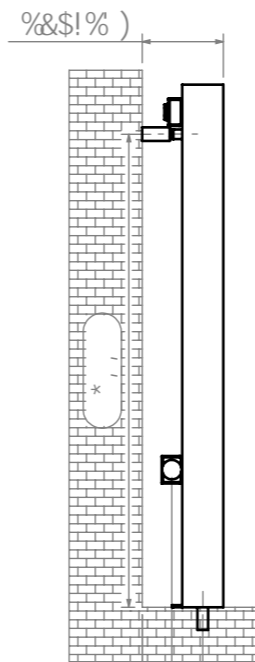
A Uf]cb '@ &!+**\$



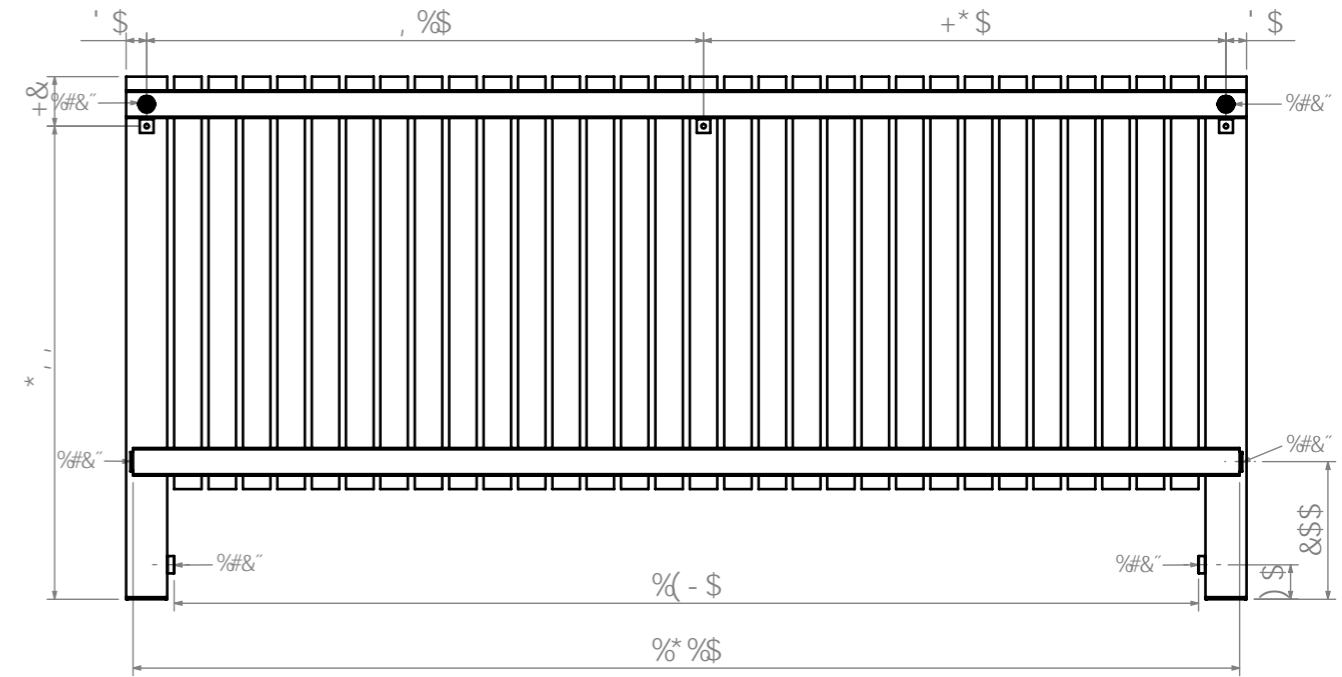
6clhca 'J Yk



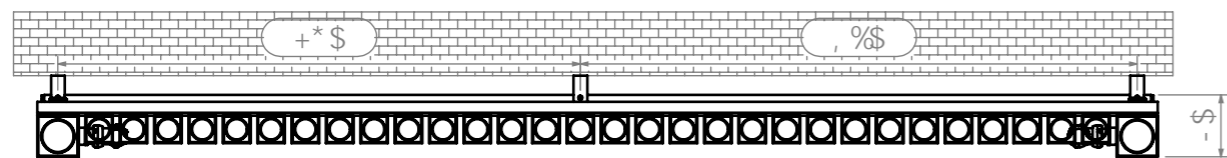
: fcbhJ Yk



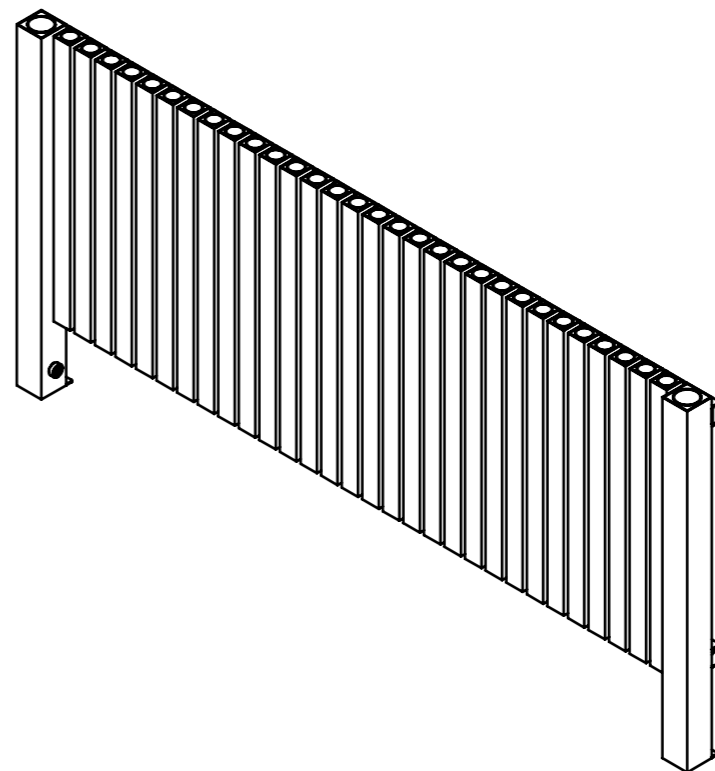
GXY'J Yk



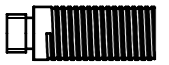

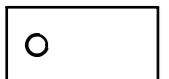



6UW'J Yk

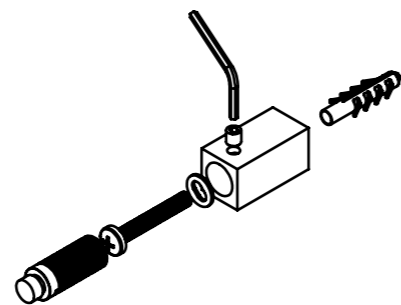


Hcd'J Yk

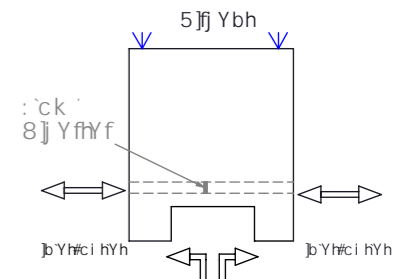


~bqU' Uf]cb '5 VVV ggc f]Yg'

-  1)
-  1)
-  1)
-  1)
-  1)
-  1%

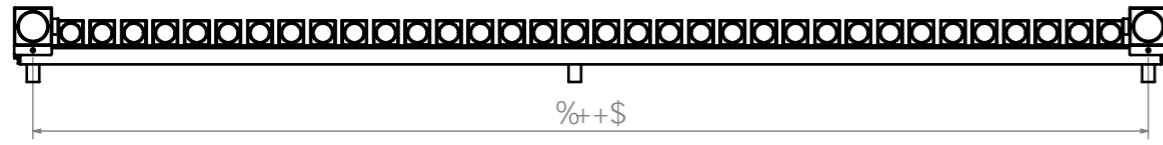


D'i a V]b['Dcgl]cb.'



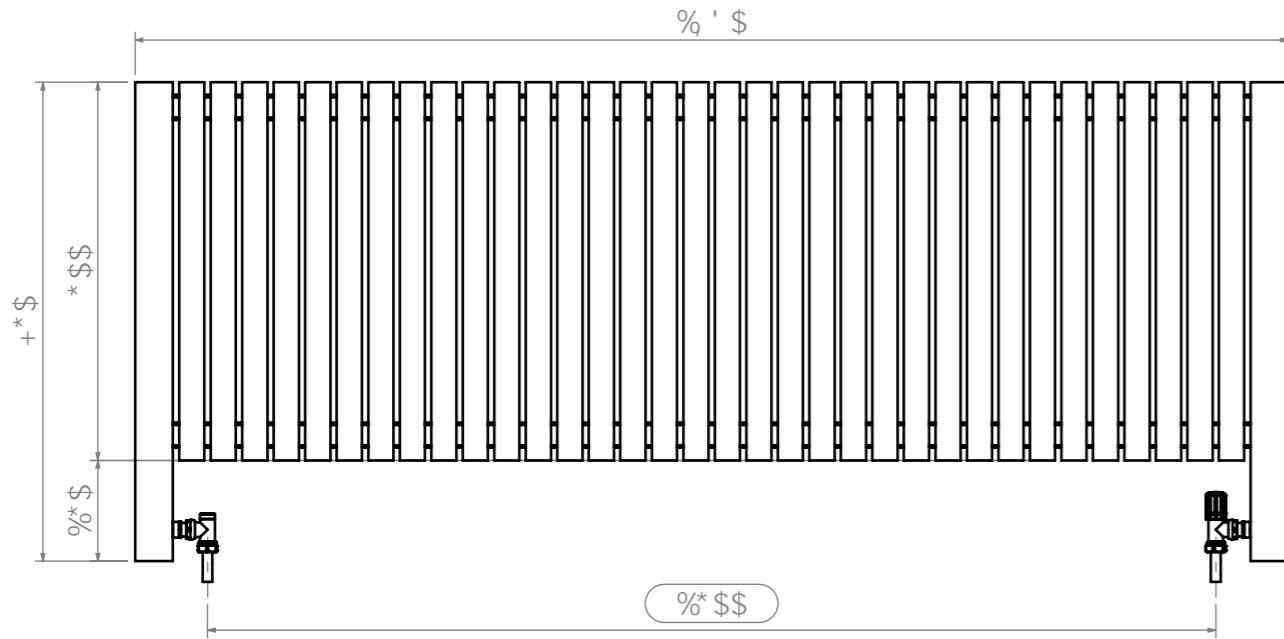
X^i cba [] c
 Cei/Oa ^) . a) . Ae^/A {
 T aeEY [] a * AU; ^ . . ^ k f e/O es
 T aeEY [] a * A/ ^ [] ^ ae i^ AU] O
 Q] ^ d AU d^ a k f e a O U U
 O ^ A O P E O

A Uf]cb '@ *!+**\$



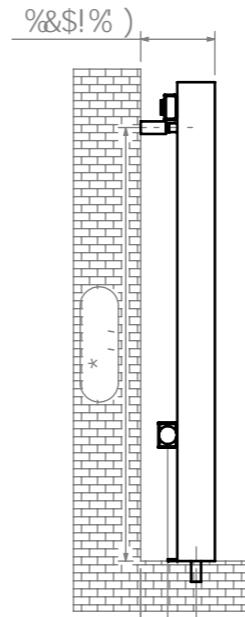
%+\$

6c]ta J]k

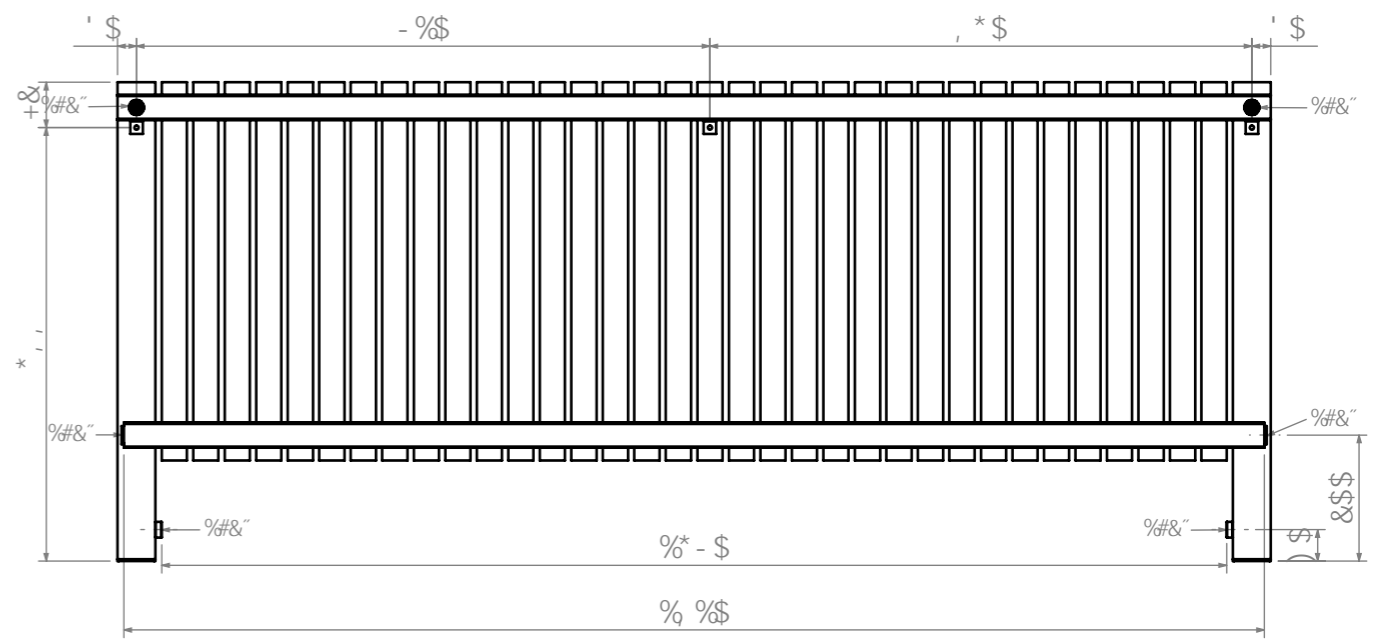


%\$\$\$

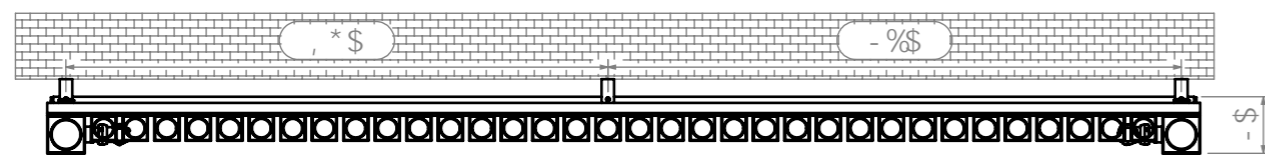
: fcb] J]k



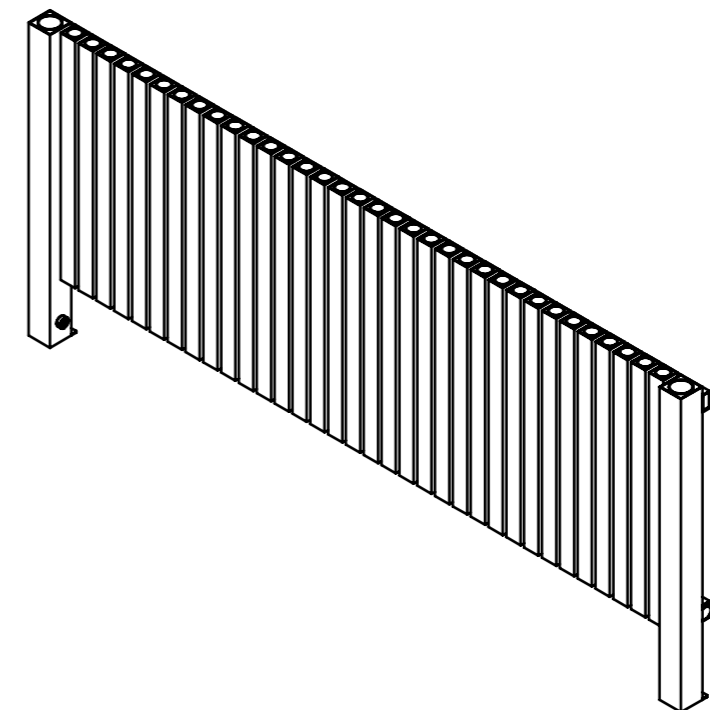
()!*\$
- \$!%\$ GXY J]k



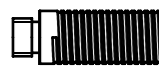

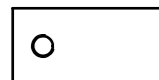



6UW J]k

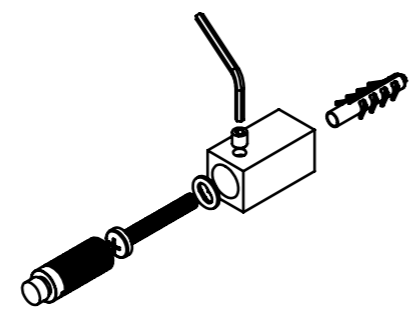


Htd J]k

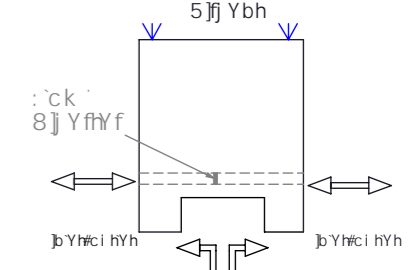


~bgtU`Uh]cb '5VWgpcf]Yg`

-  1'
-  1)
-  1'
-  1)
-  1'
-  1%

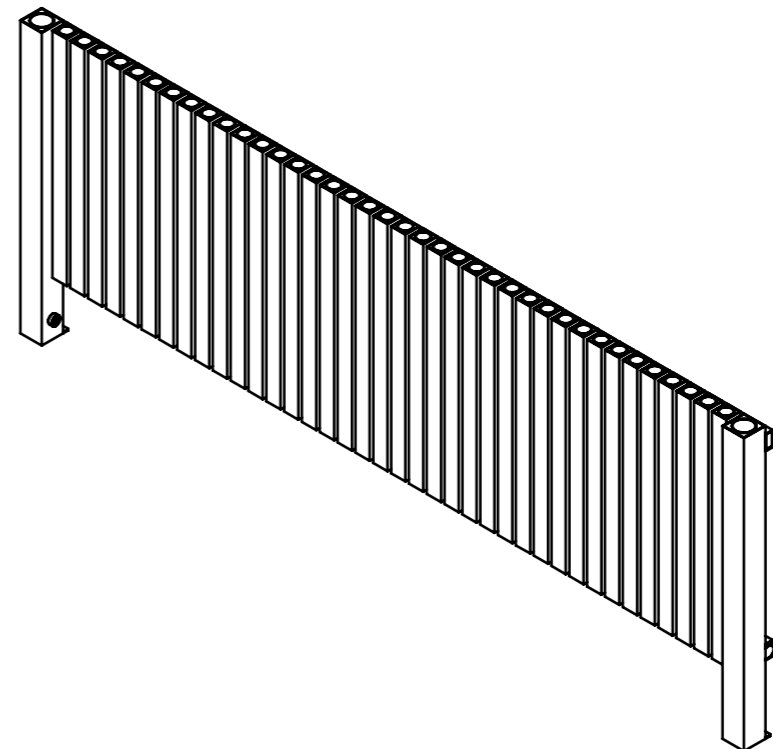
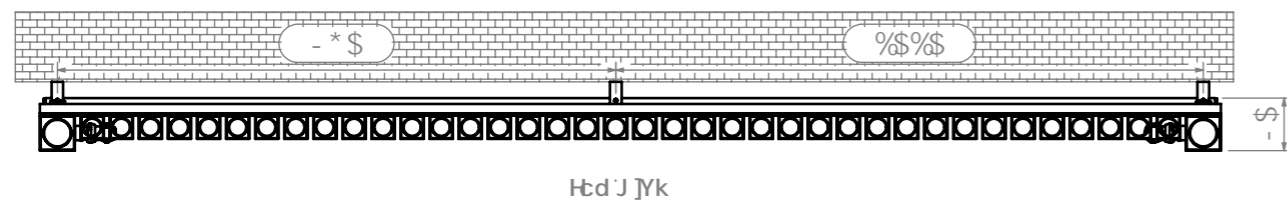
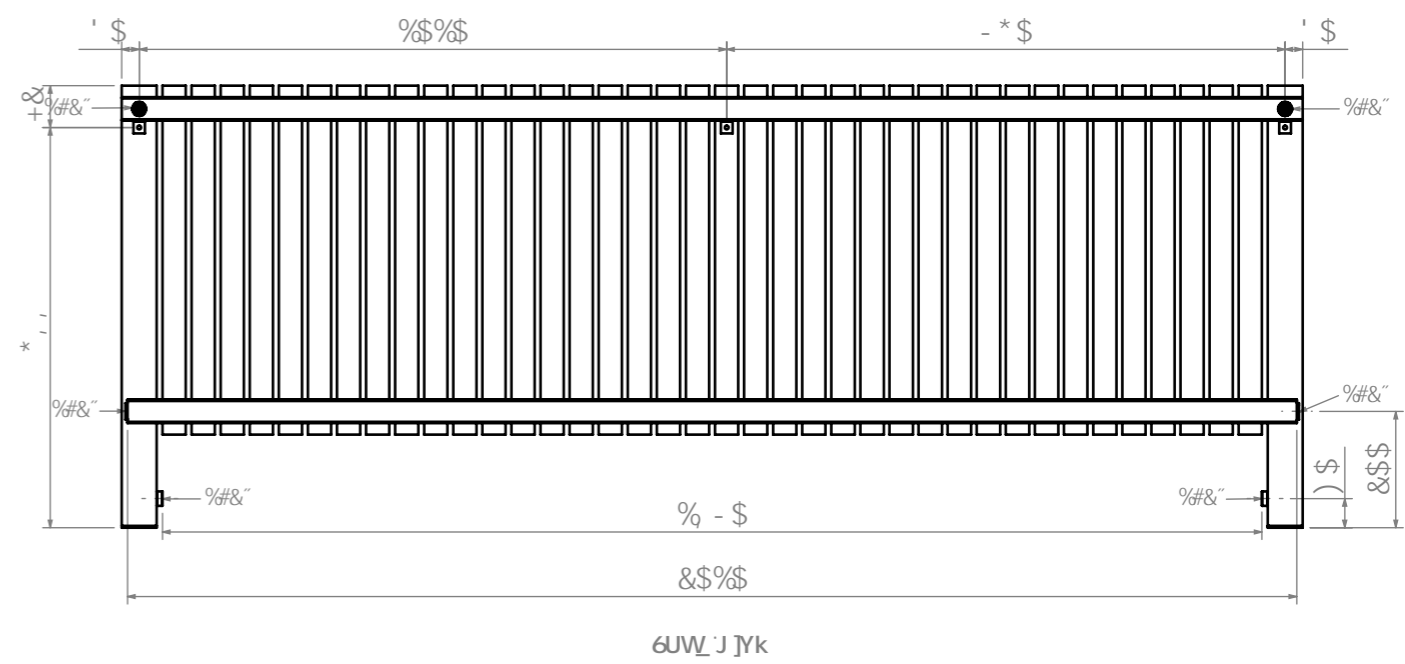
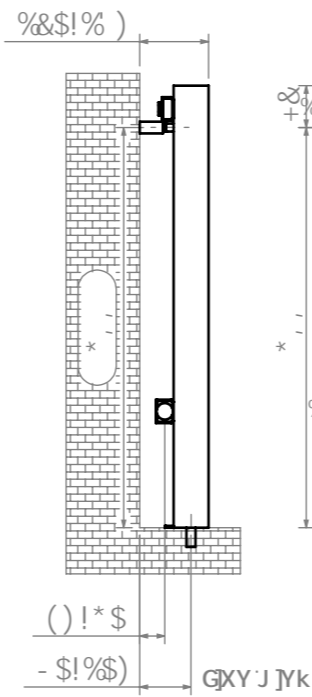
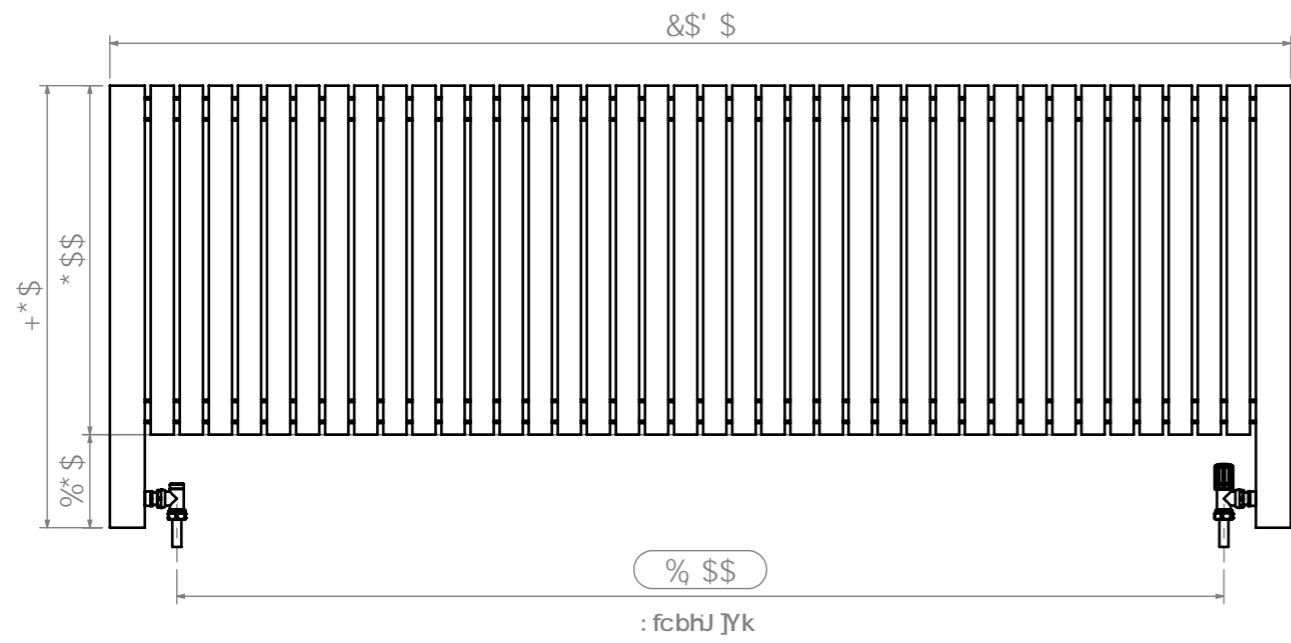
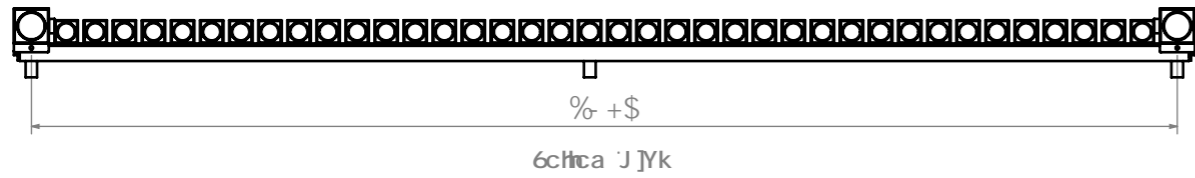


'Di a V]b['Dcg]hcb.'



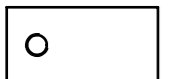





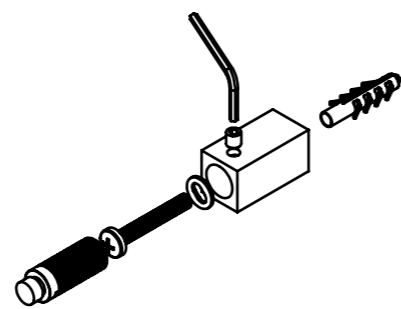
X^i cba [] c
 C]i/a ^) . a } . A^/A {
 T aEY [] a * AU^ . . ^kE/a
 T aEY [] a * A/ [] a^ i^kU]O
 Q]^ aU^ d^ a kFEAOUU
 Ø ^i AOE D

A Uf]cb '@ \$!+**\$



~bgtU~Uh]cb '5 VVV ggc f]Yg'

-  1'
-  1)
-  1'
-  1)
-  1'
-  1%



'Di a V]b['Dcg]hcb.'

