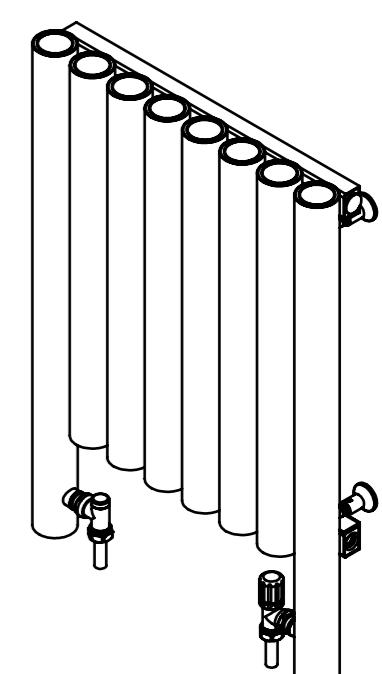
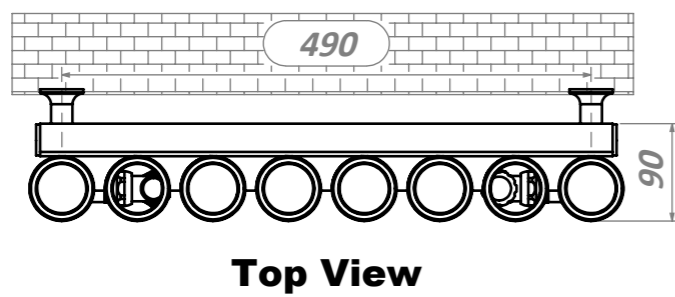
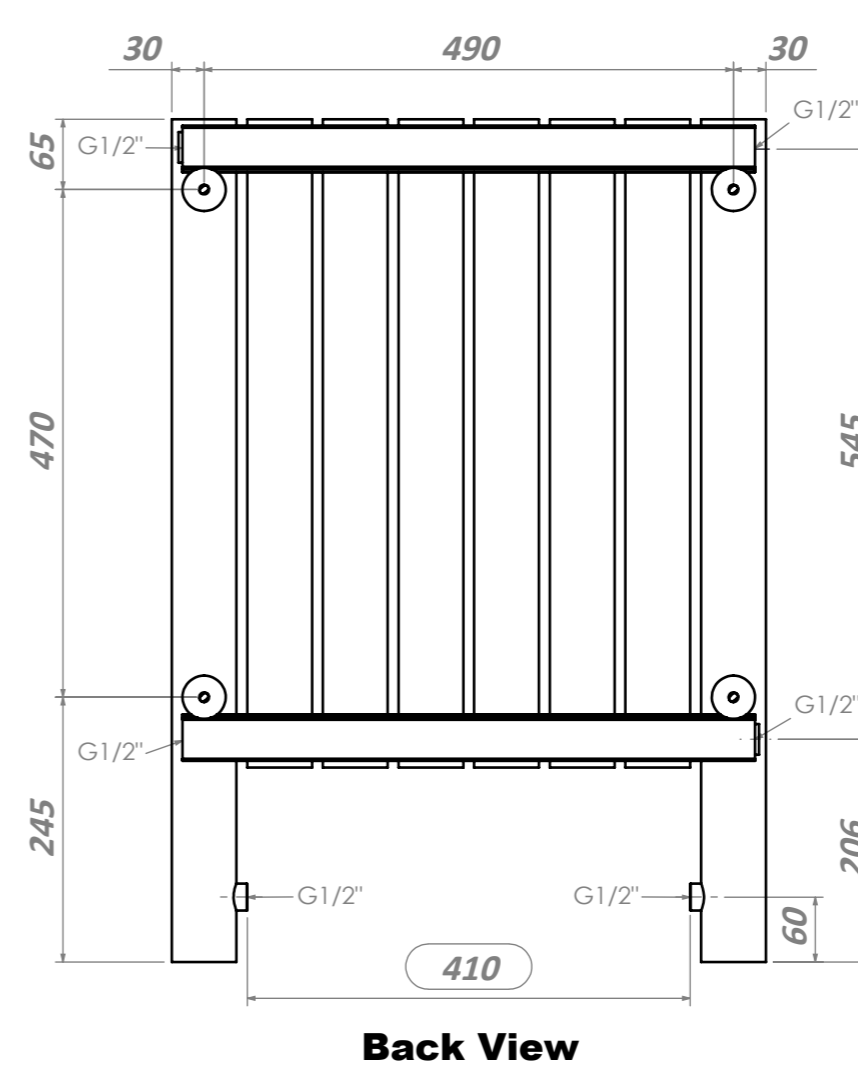
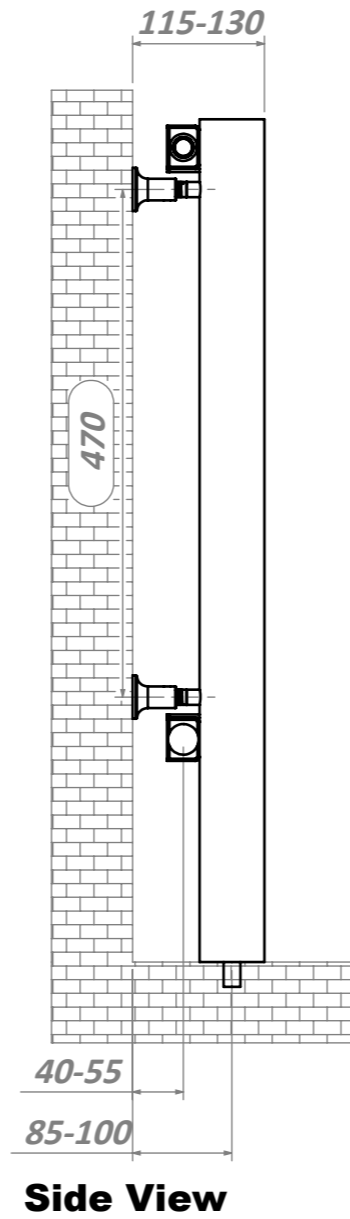
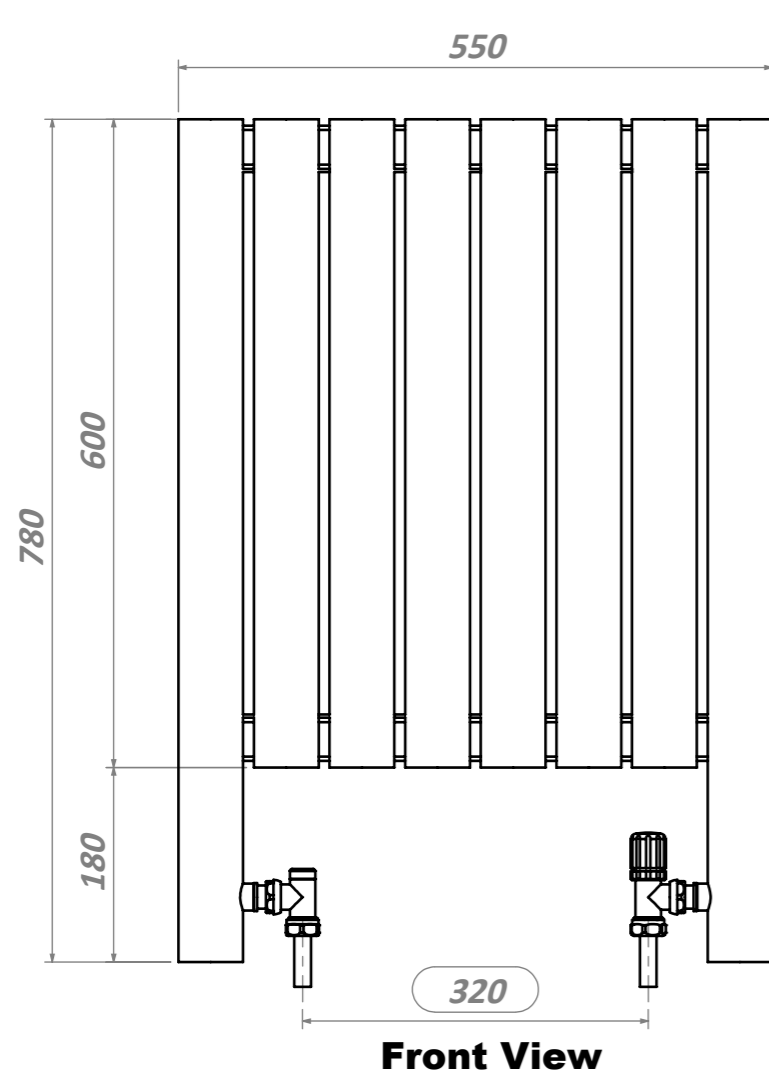
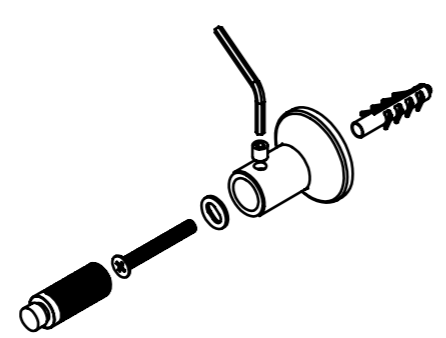
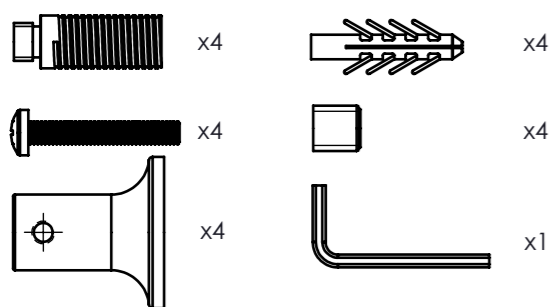


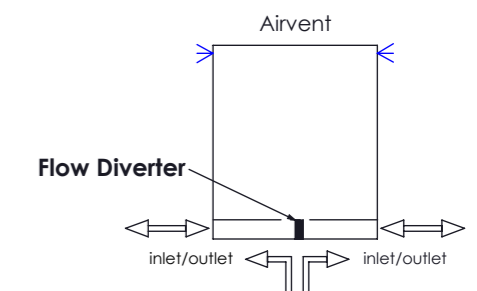
Mystic L 808



Installation Accessories:

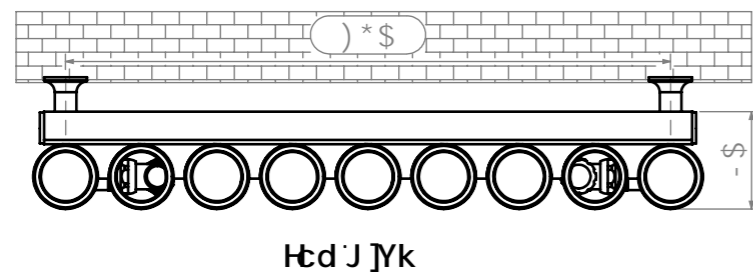
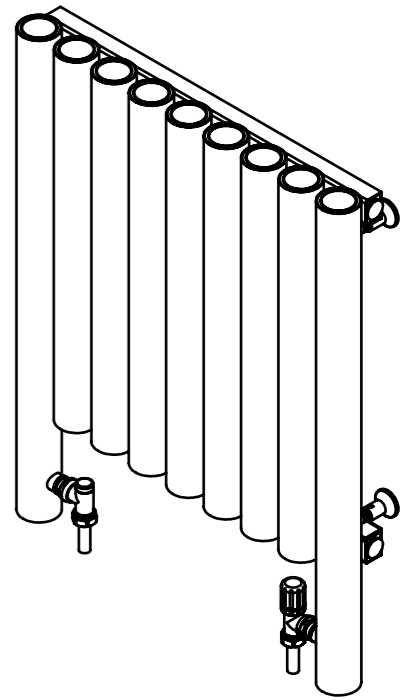
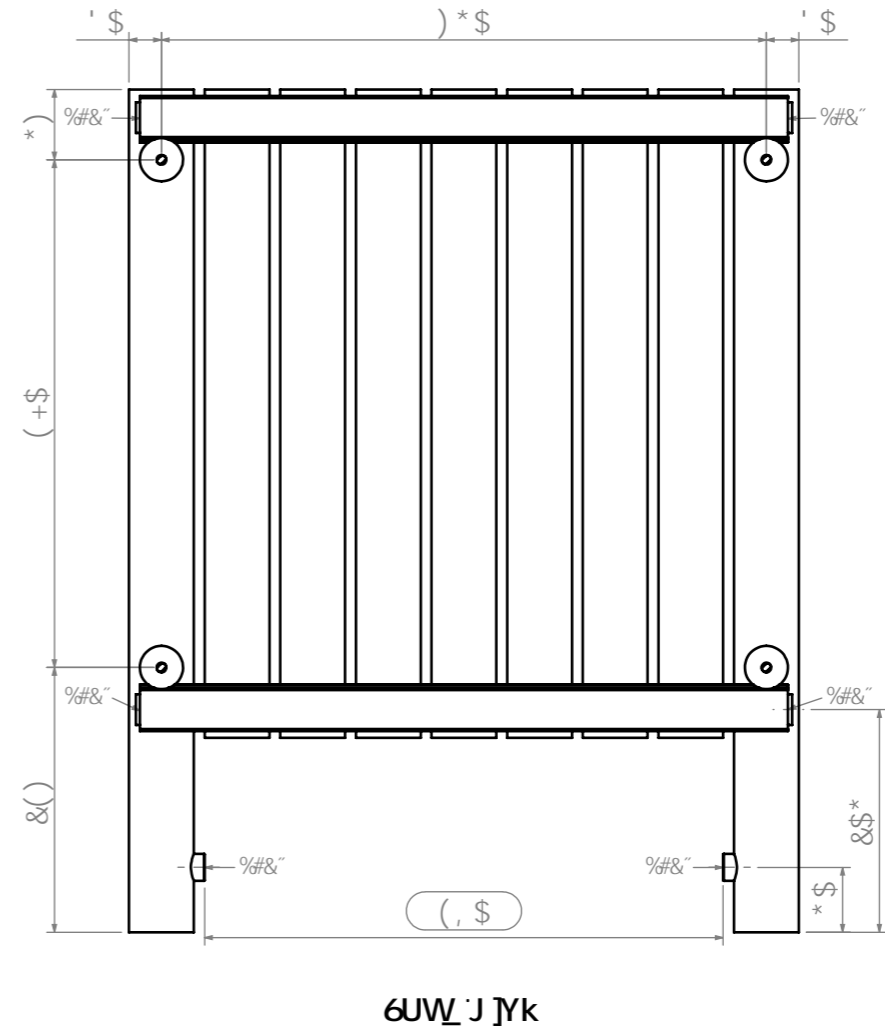
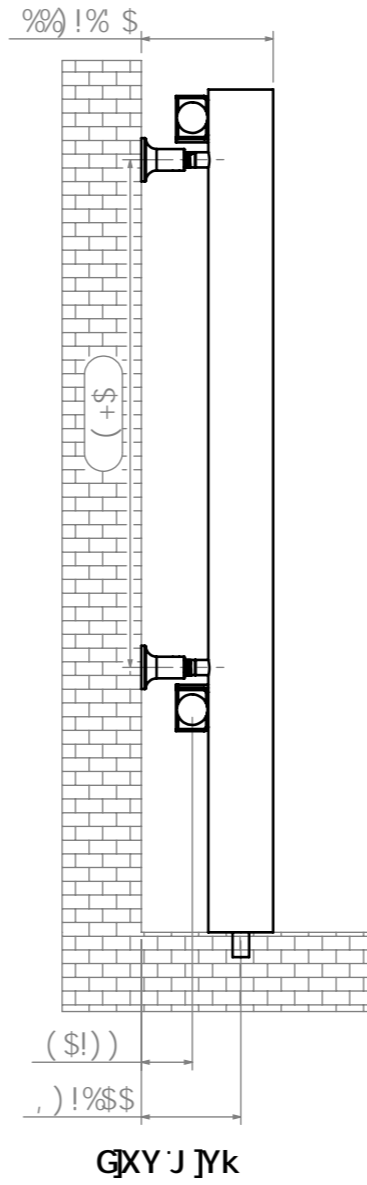
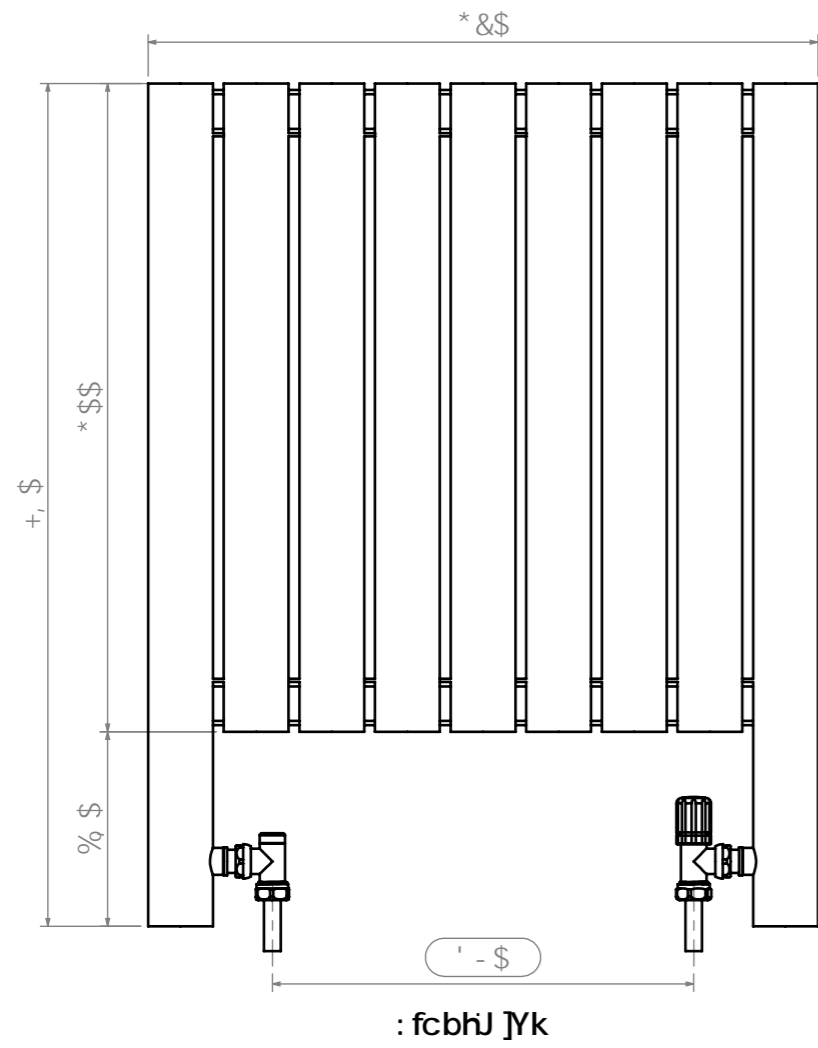


Plumbing Position:

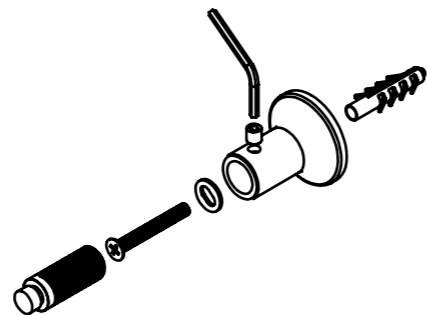
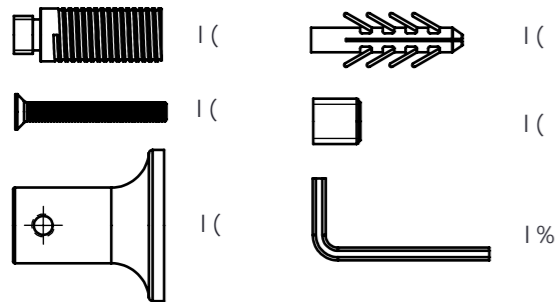


Vertical mount
 All Dimensions are in mm
 Max. Working Pressure: 10 Bar
 Max. Working Temperature: 95° C
 Inlet / Outlet : 1/2" BSP
 Fuel : E/H/D

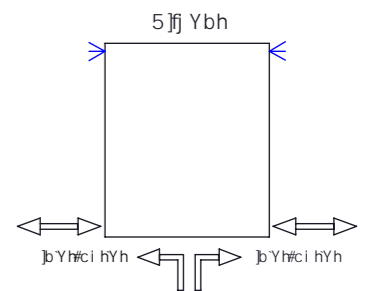
A nqh]W@, \$-



fbghU~Uhjcb'5WWWggcf]Yg'

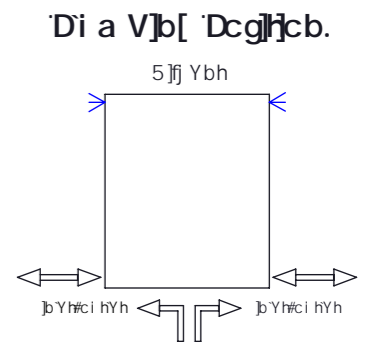
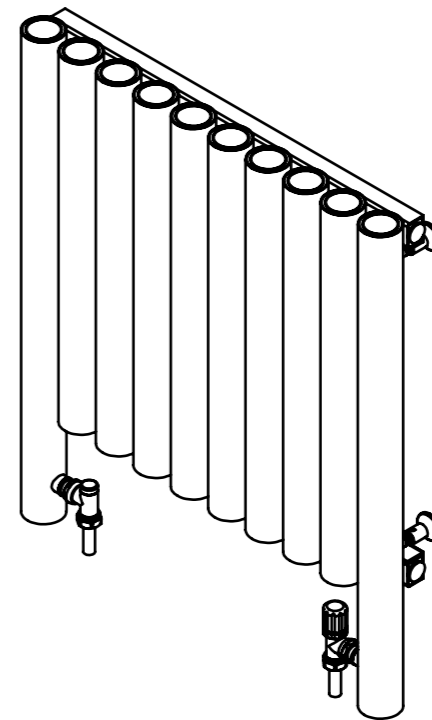
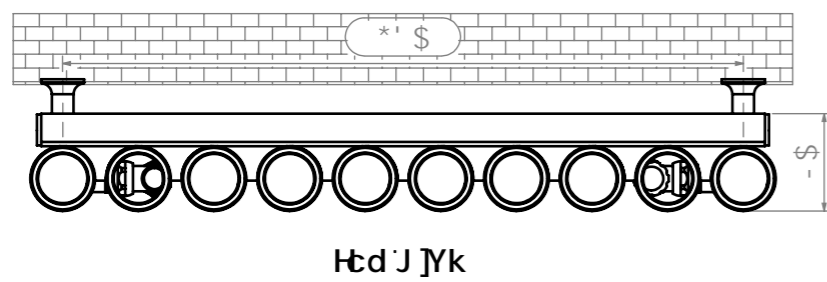
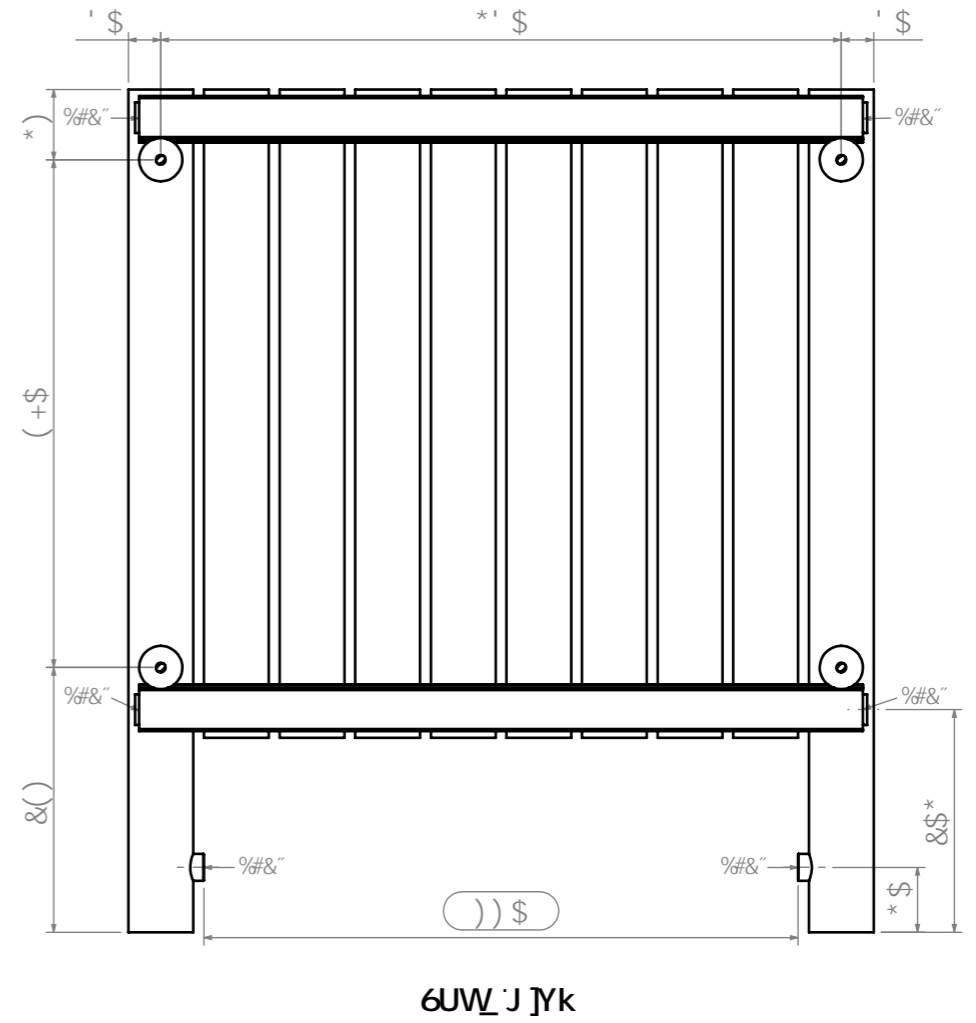
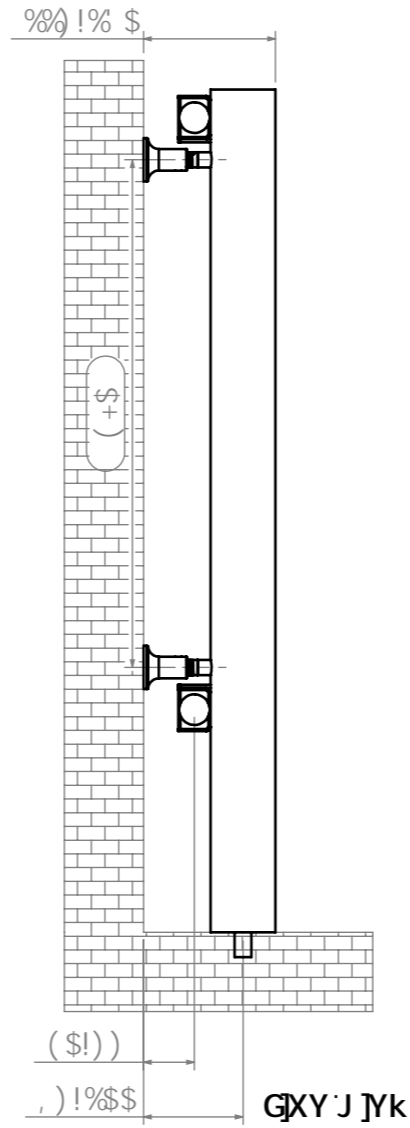
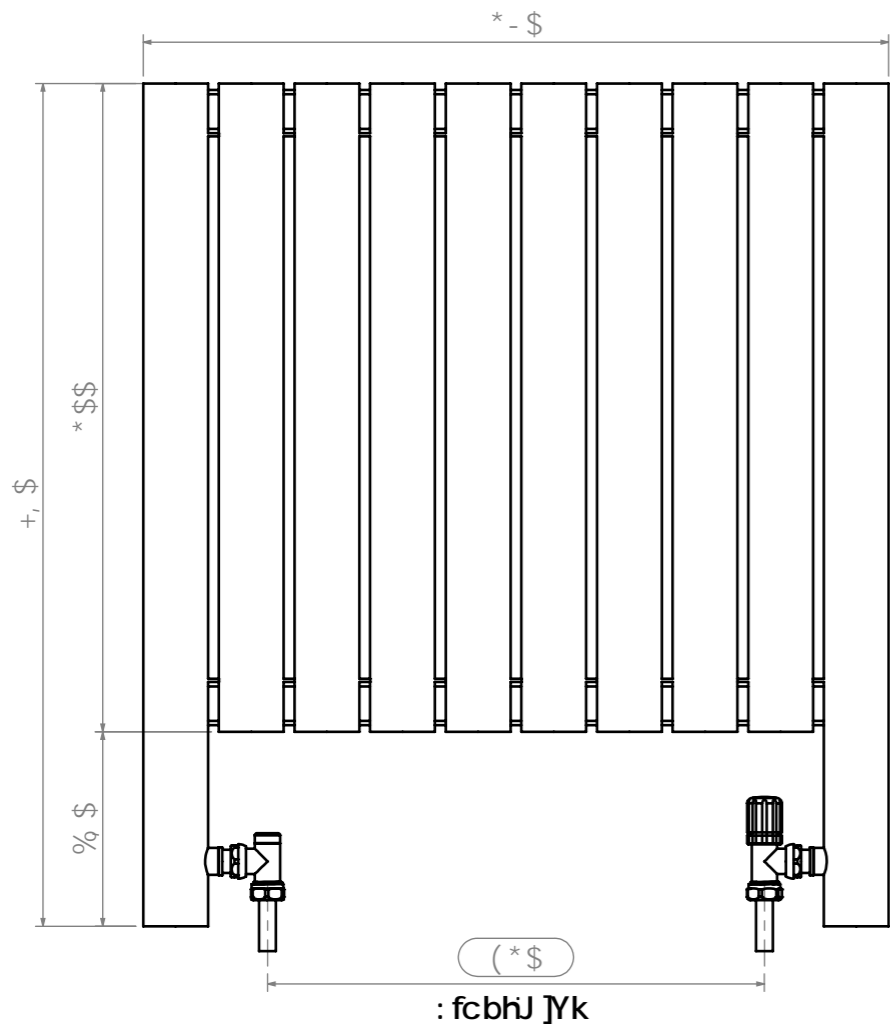


'Di a V]b['Dcgh]cb.





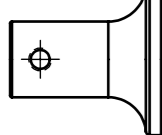
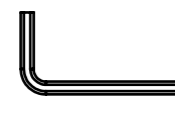


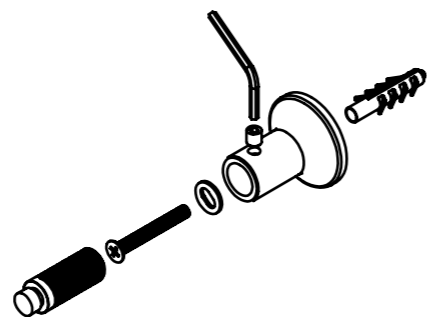
X^|cBaA [~}c
 CH/Oa ^} .a } .Aa^A A {
 T aeY [i v a * AU ^ . . AKF EOa
 T aeY [i v a * A^ [] ^ ac ^ AKU] AO
 Q | o AU d^ AKF EO UU
 O ^ AKO P ED

A nqjW@, %\$



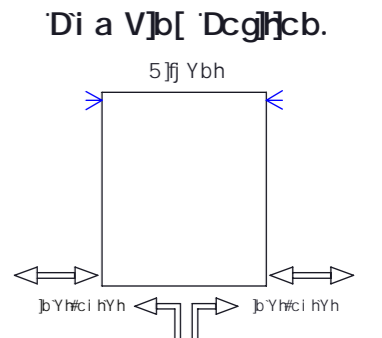
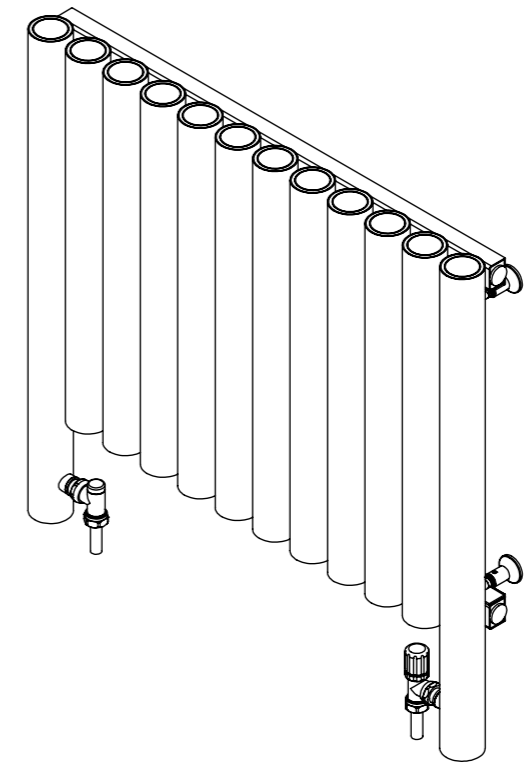
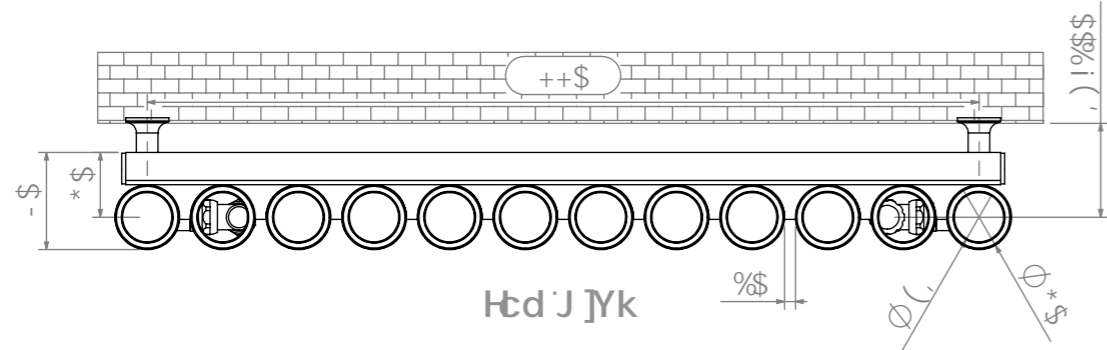
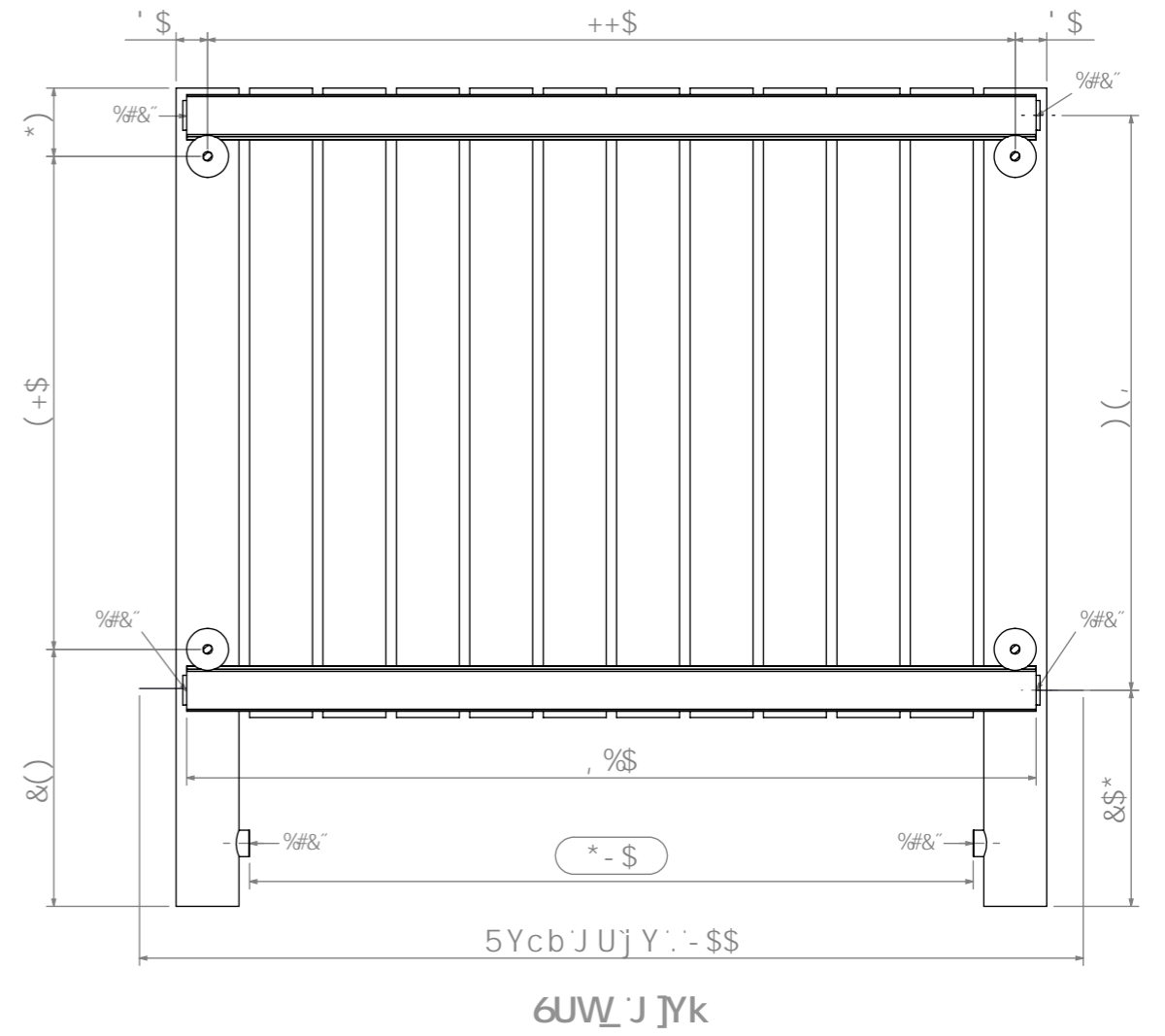
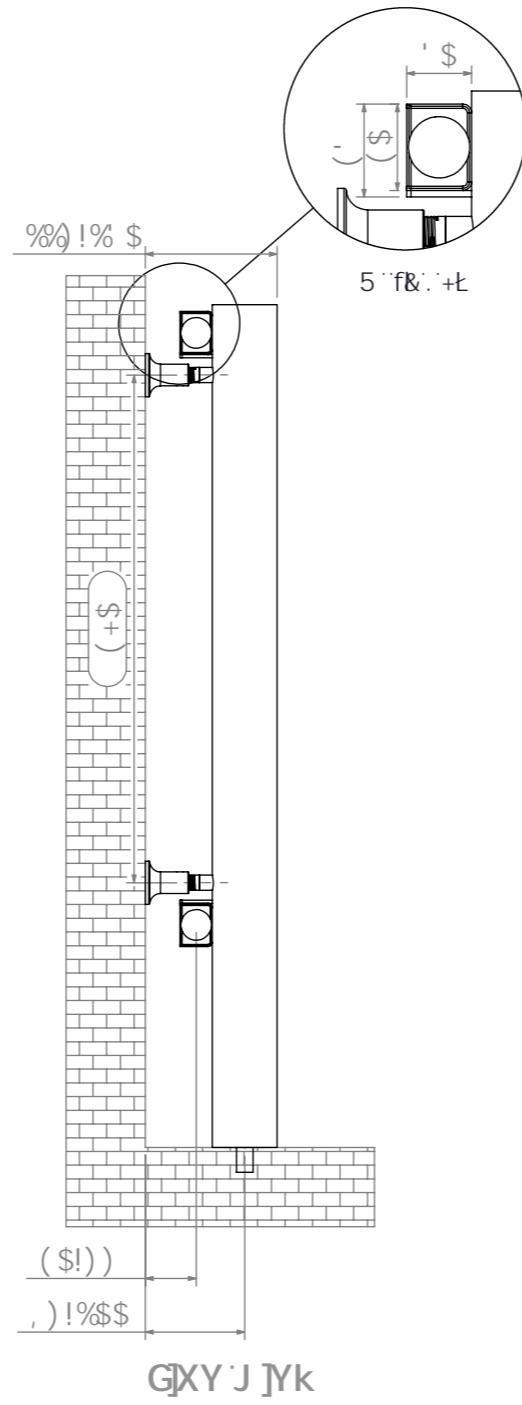
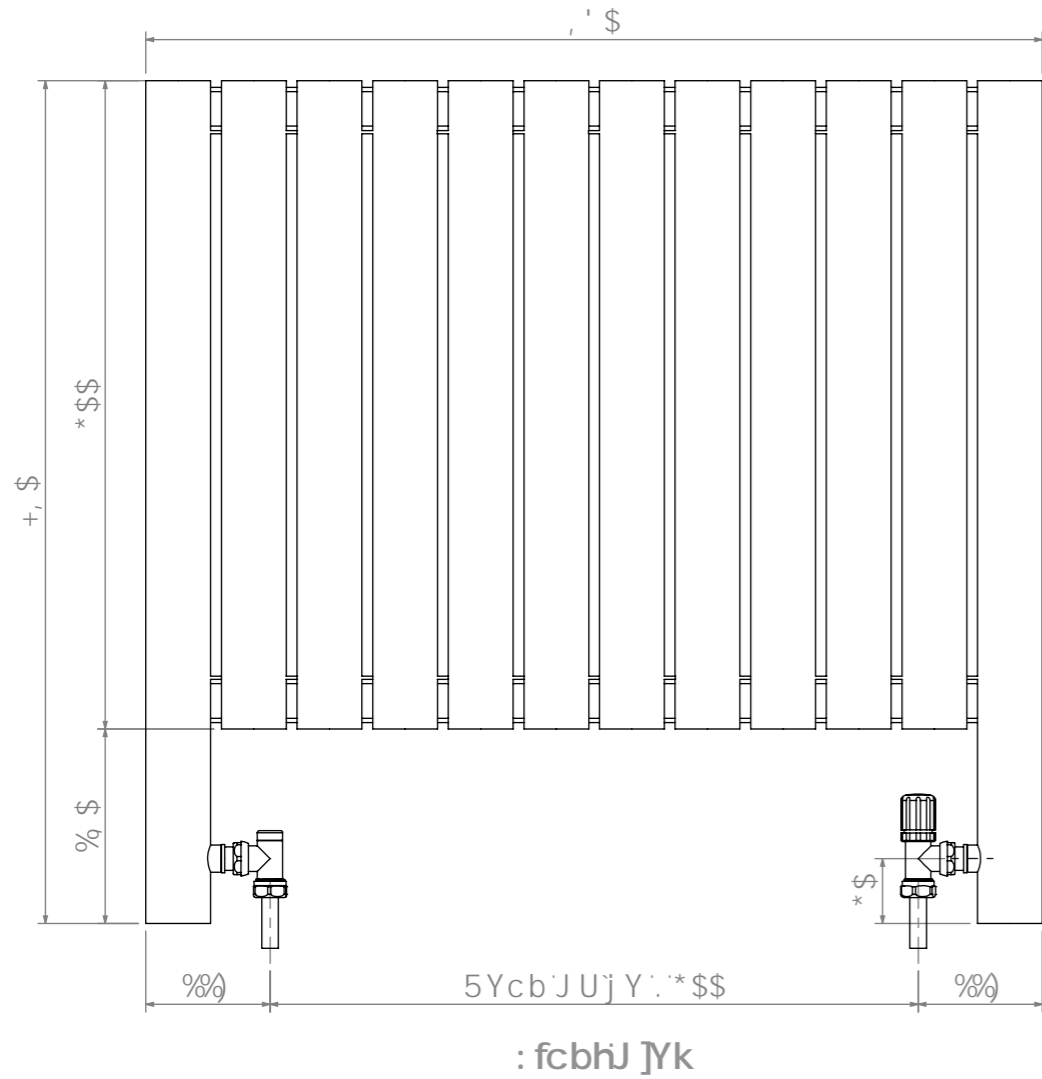
fbqU`Uhjcb'5WwYggcfjYg`

- | | | | |
|---|----|---|----|
|  | 1(|  | 1(|
|  | 1(|  | 1(|
|  | 1(|  | 1% |

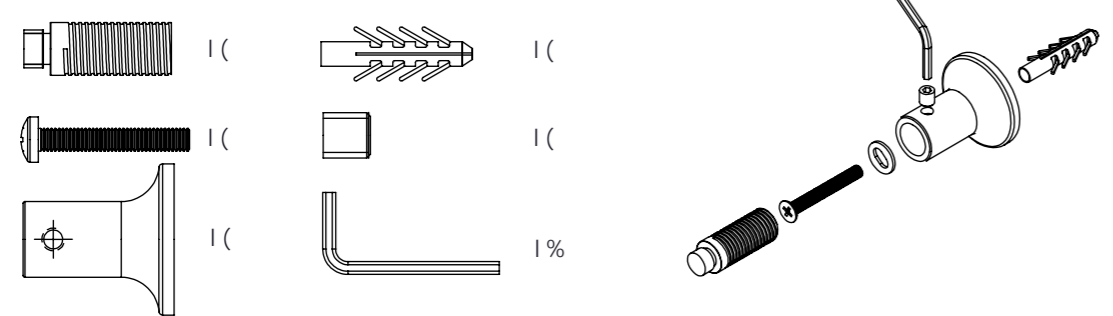


X^|cBaA [~ } c
 CH/Oa ^ } . a } . Aa^A A {
 T aeY [i v a * AU i ^ . . | AK E O a e
 T aeY [i v a * A ^ {] ^ | ac i ^ h | i » A O
 Q | ^ A U q ^ A K E A O U U
 O ^ | A O E D

A nqhtW@, %&

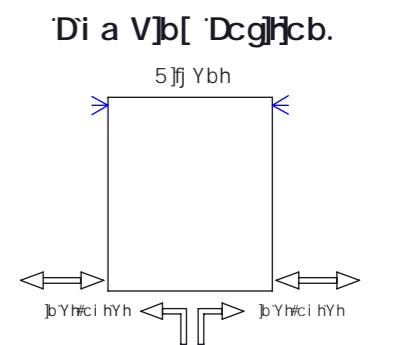
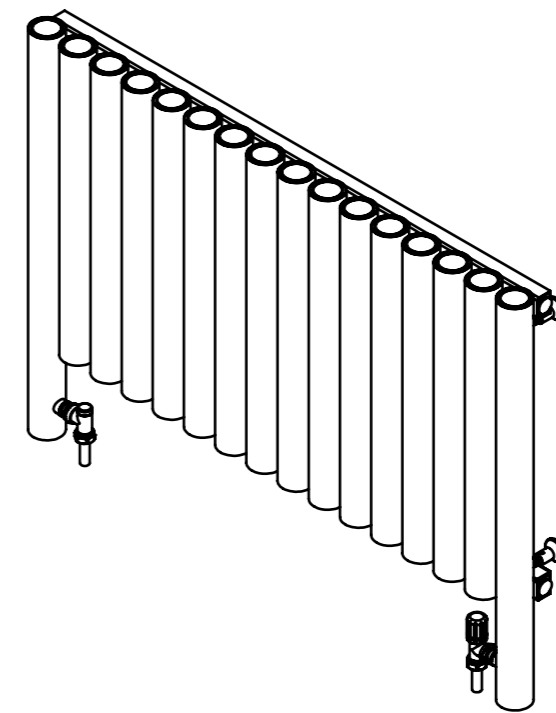
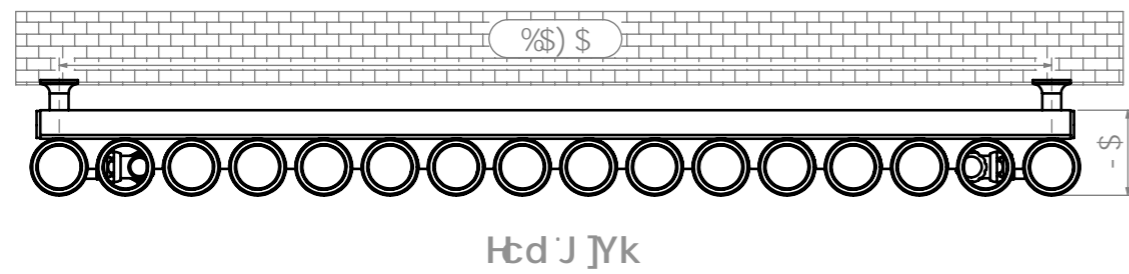
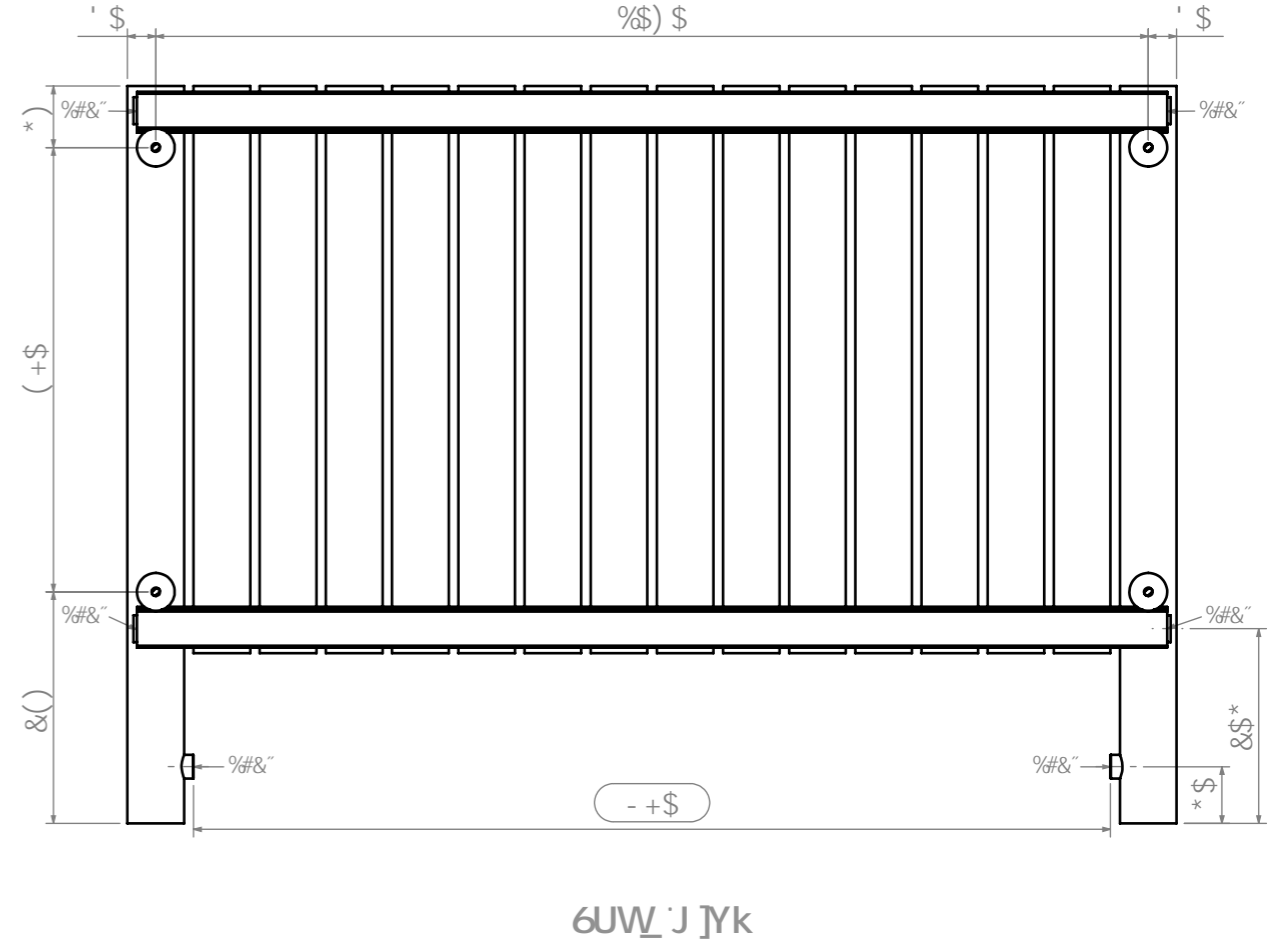
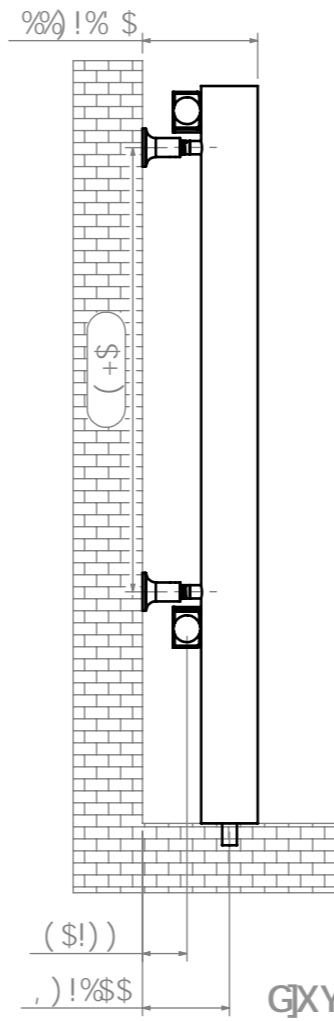
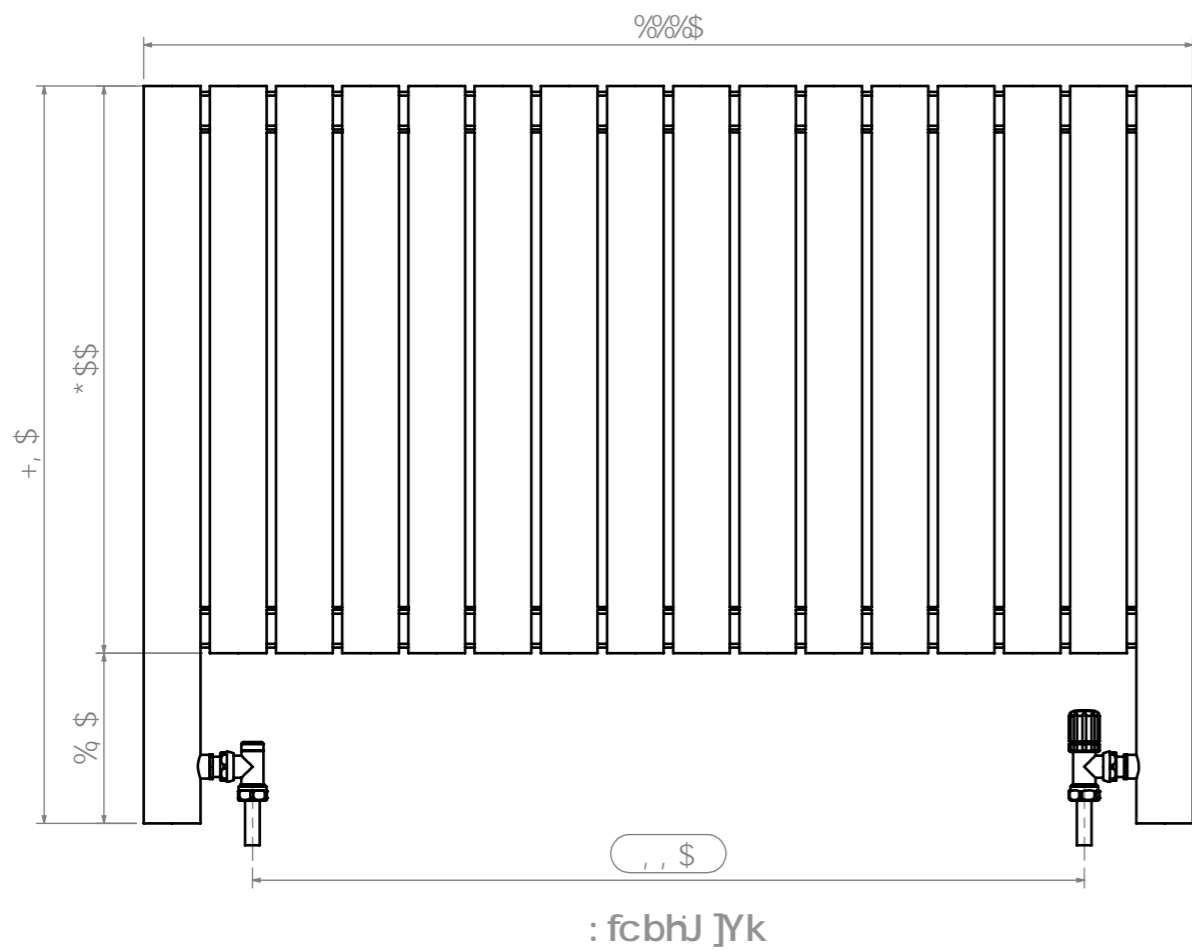


fbgtU~Uhc b'5WVW ggc fY g'

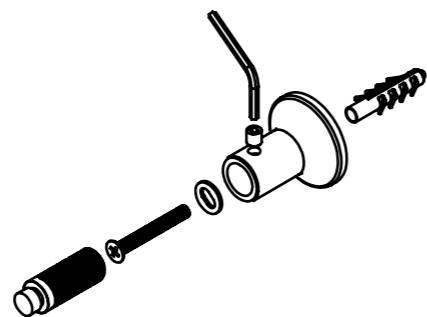
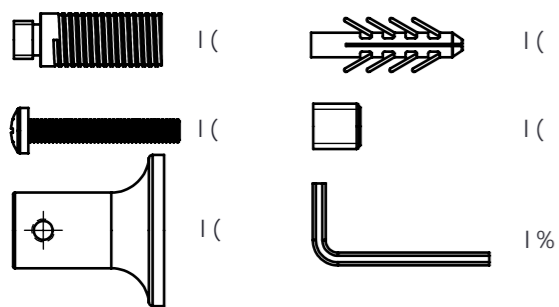


X^cBaA [] c
 CH/Oa ^) . a } . Aa^A A {
 T aeY [i v a * A j ^ . . : AK E O a e
 T aeY [i v a * A ^ [] ^ : ac : ^ h u l } A O
 Q | ^ O A U d ^ A A E A O U U
 Ø ^ | A O E P E D

A ngjW@, %*

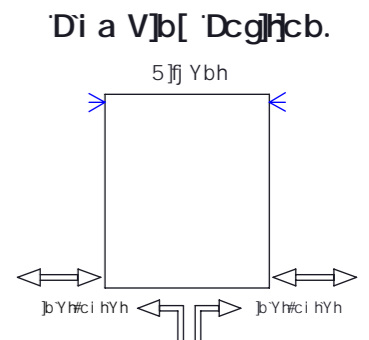
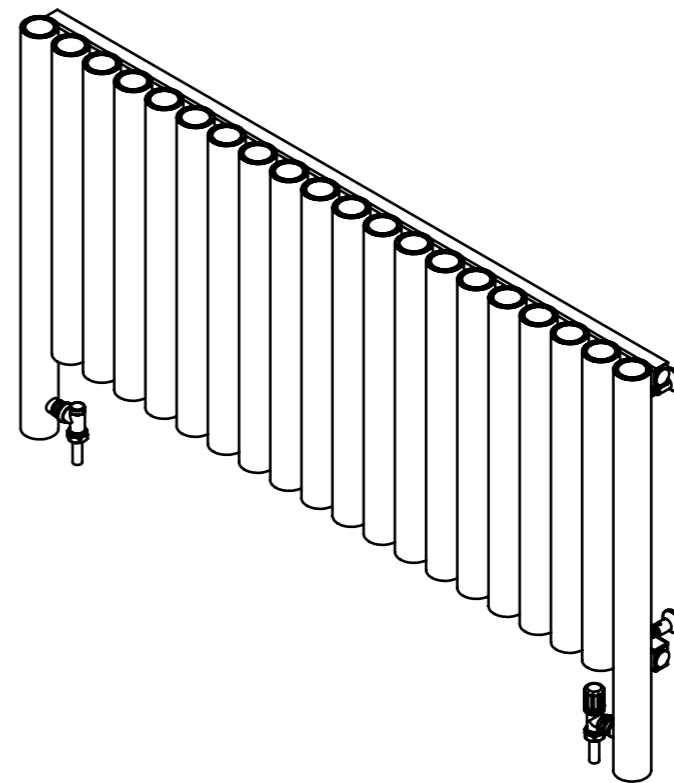
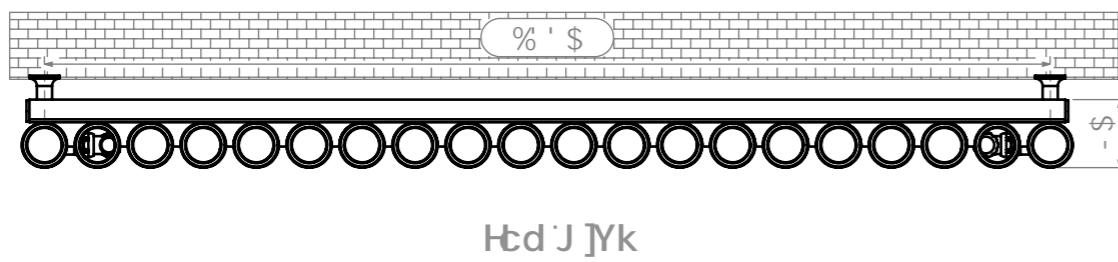
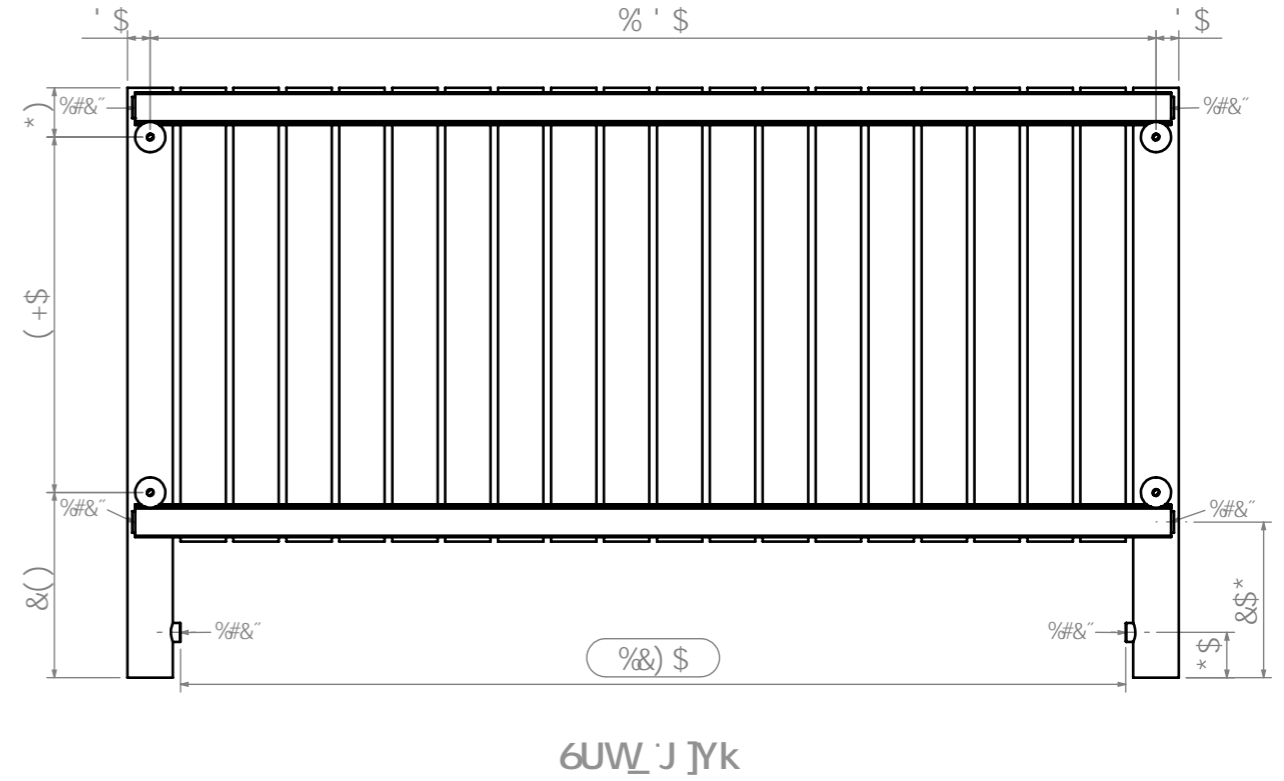
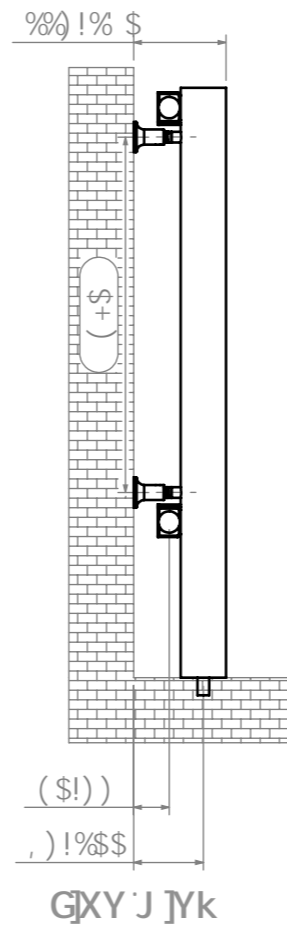
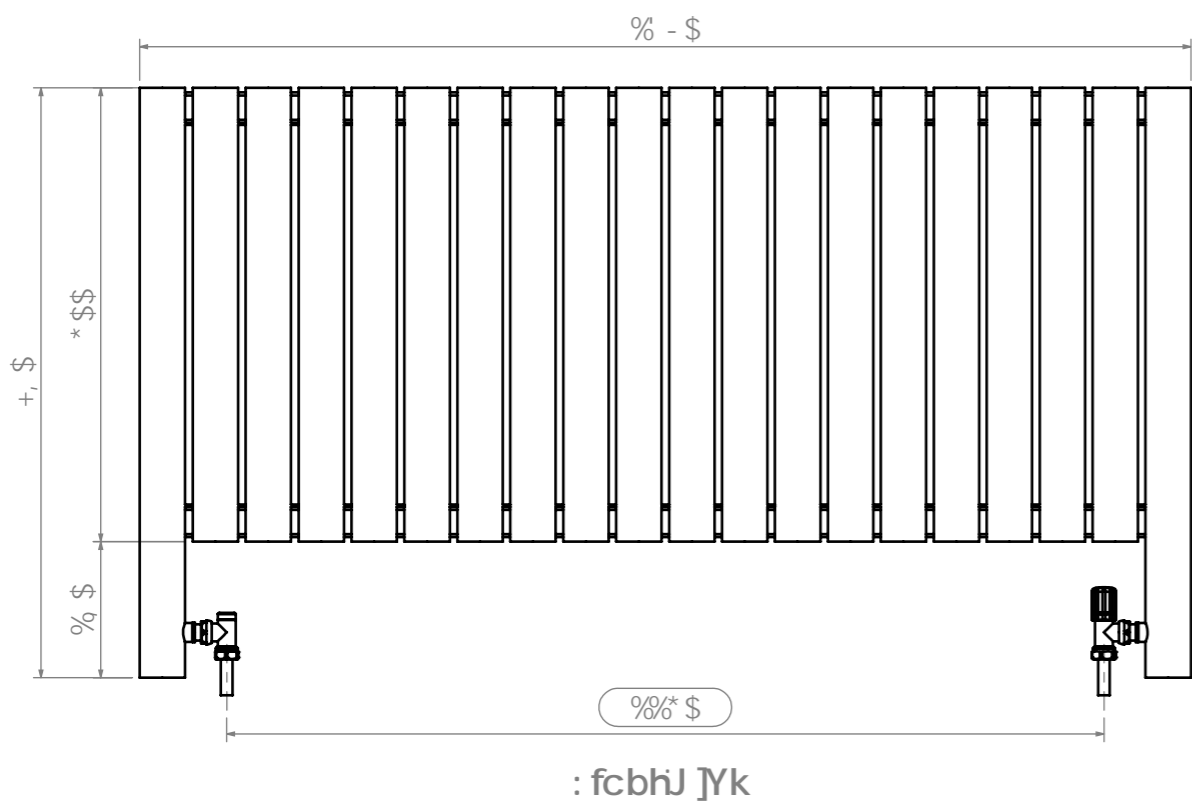


~bqU~U]hcb'5WVWggcf]Yg'

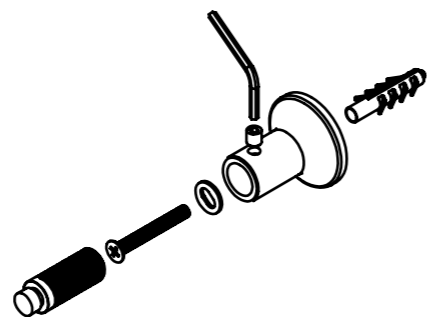
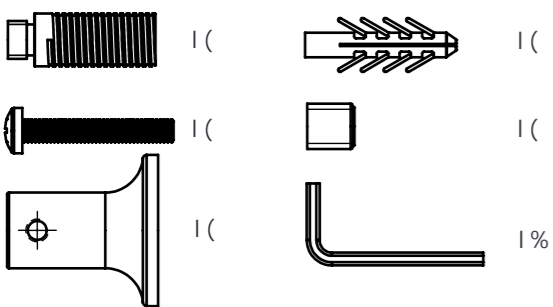


X^|cBaA [~]c
 CH/Oa ^}•a }•Aa^A A {
 T aeY [i]v a *AU|^••|AK€Oa
 T aeY [i]v a *A^|]|^ac|^hU| »A
 Q|^oAU d^A^EAOUU
 Ø^|AKOPEO

A nqh]W@, &\$



fbghU~Uhjcb'5WWWggcfjYg'



X^|gBaA [~}c
 CH/Oa ^} .a } .Aa^A A {
 T aEY [i v a *AU|^ . . |AKFEOa
 T aEY [i v a *A^|] |aE |^kU | »A
 Q |^oAU d^oA^EAOUU
 O ^|AKOEPED