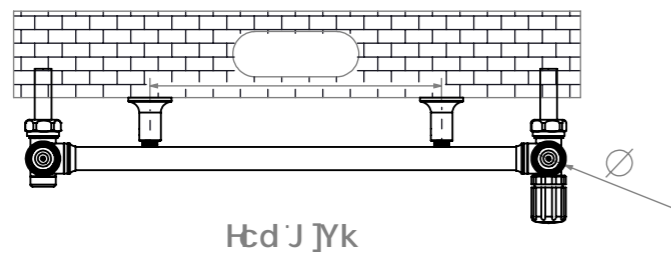
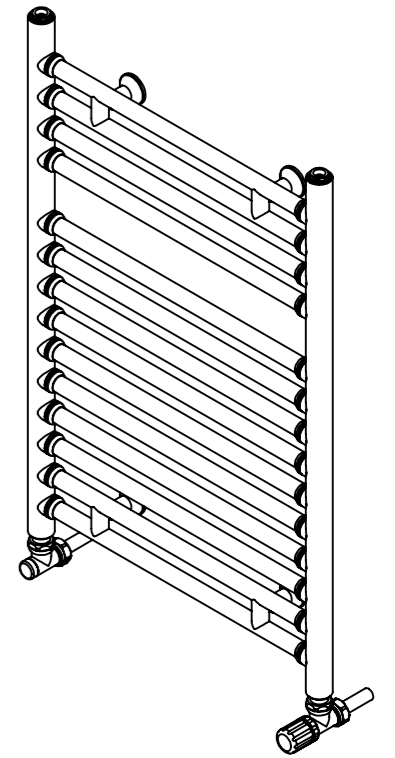
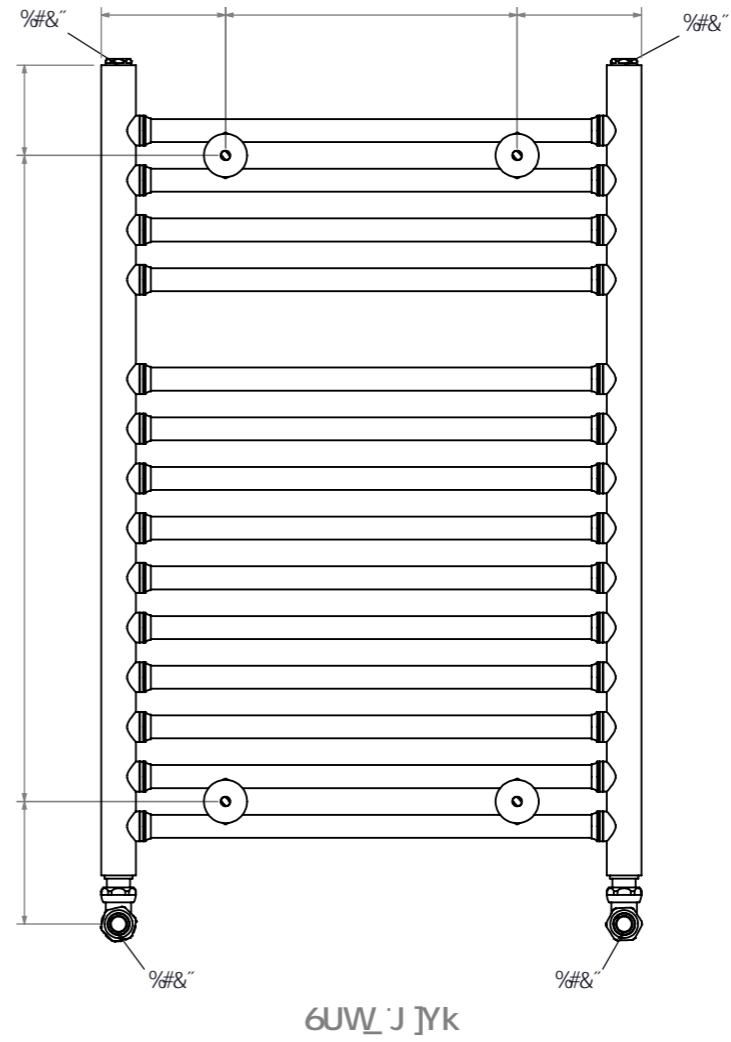
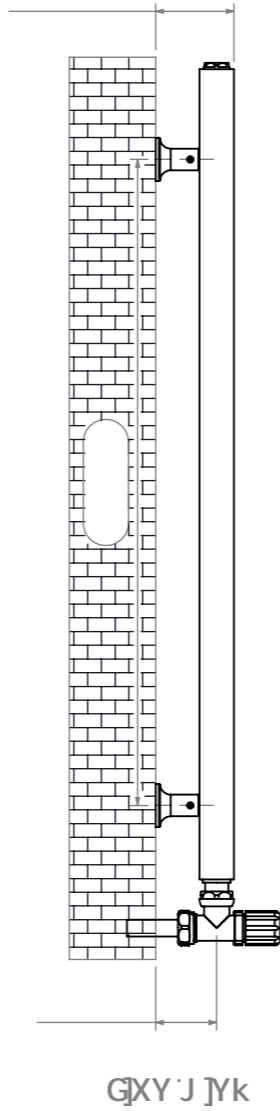
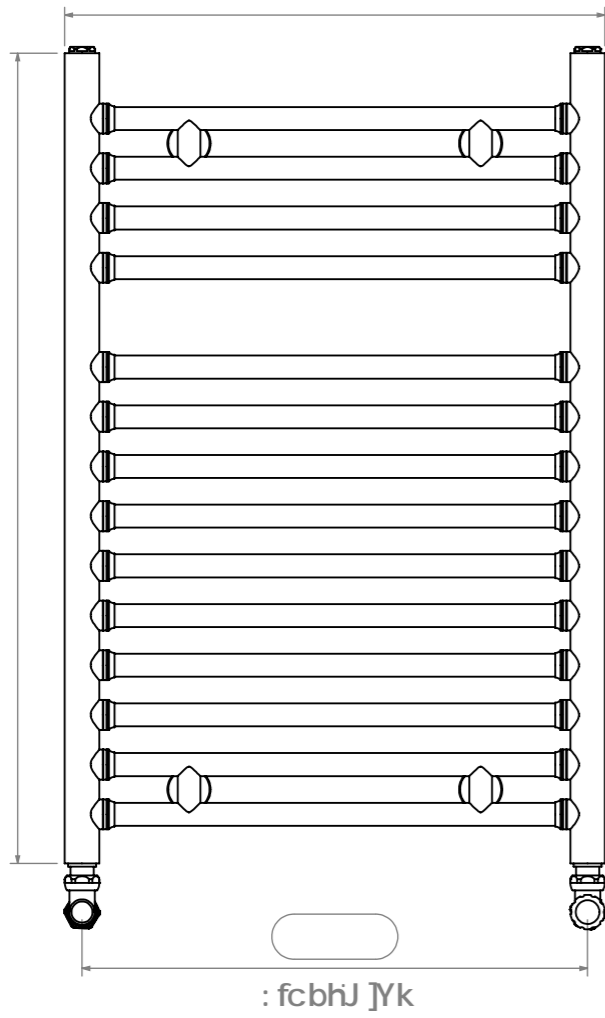
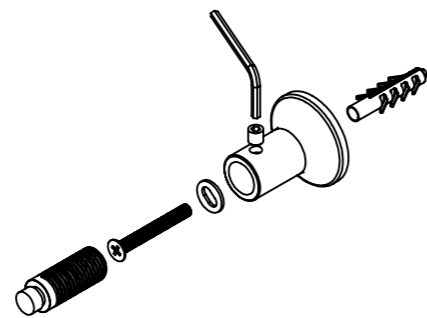
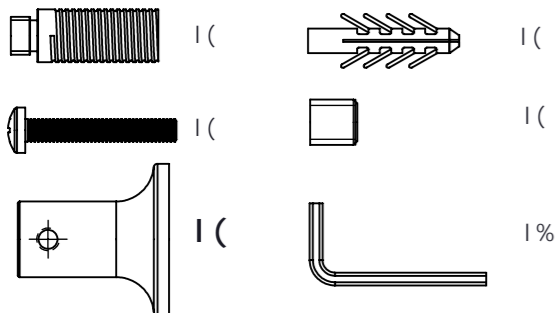


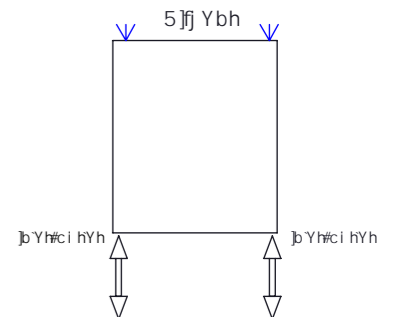
GYfyb '+)!) \$



~bghU`UHjcb`5WVWggcfjYg`

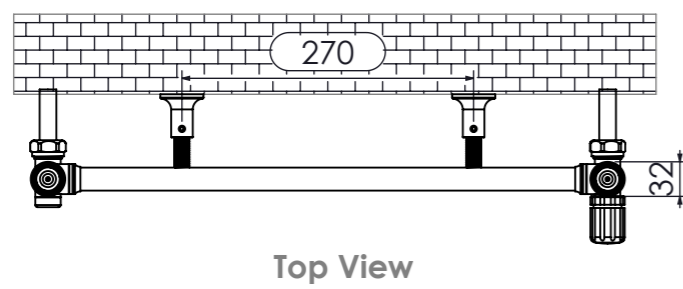
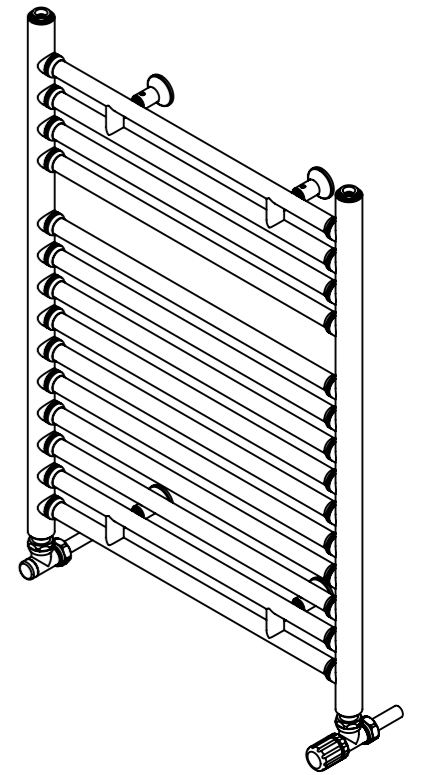
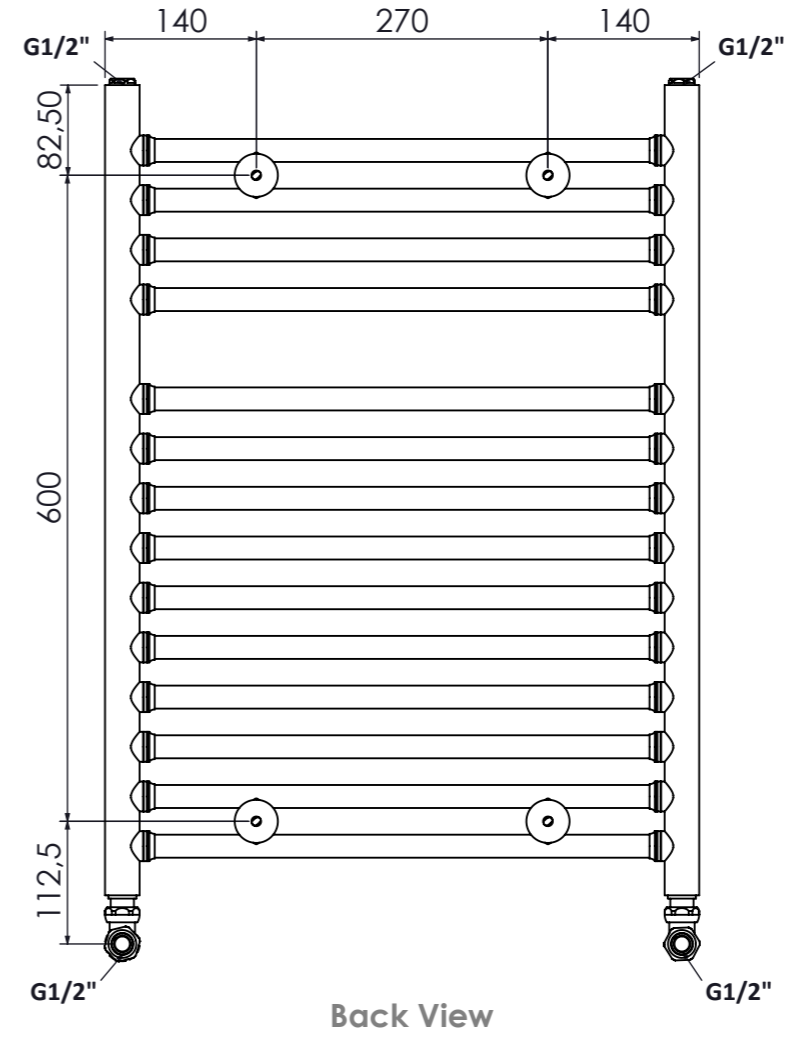
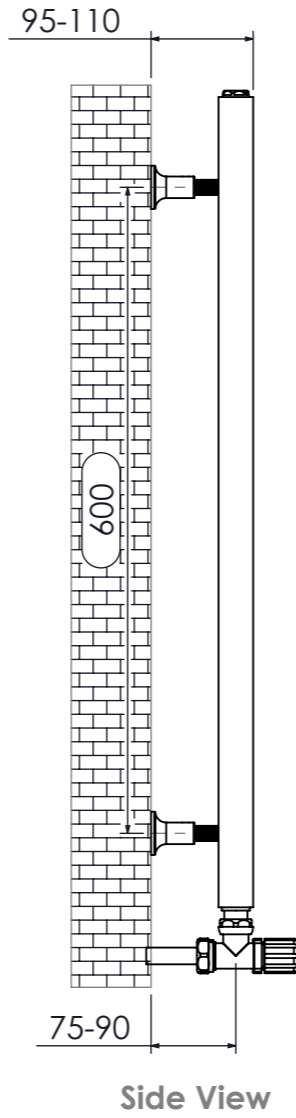
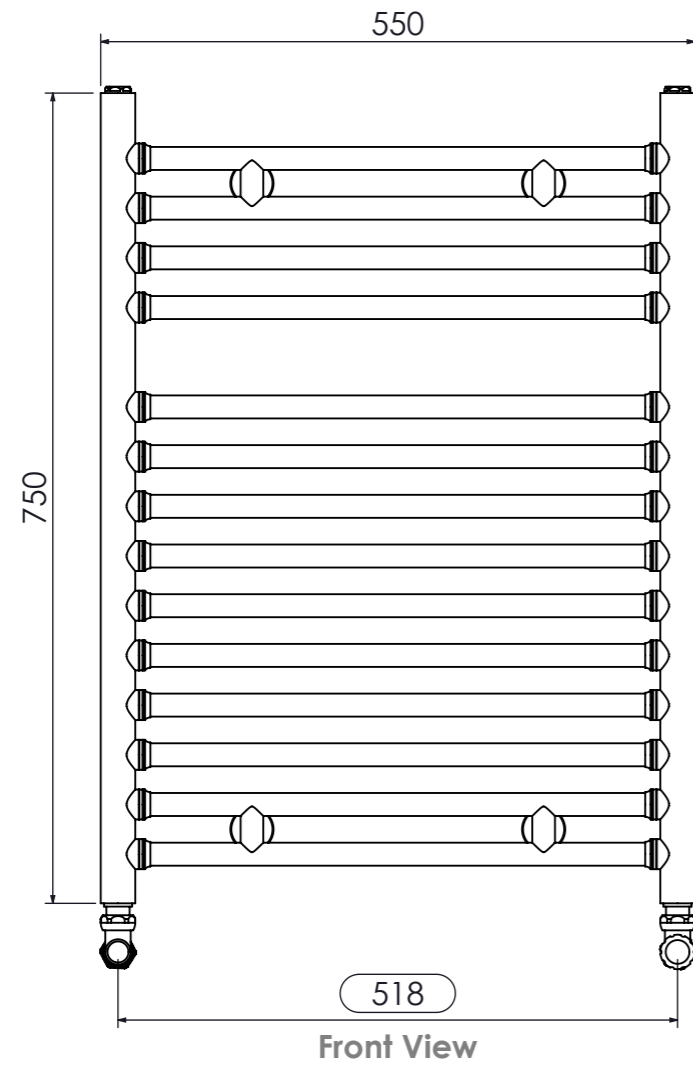


'Di a V]b['Dcgl]cb.'

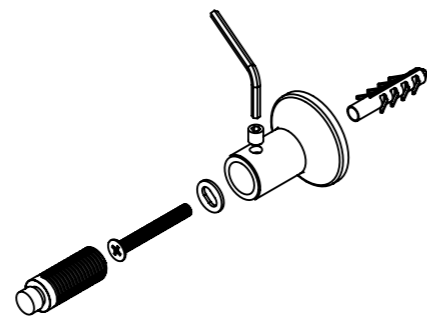
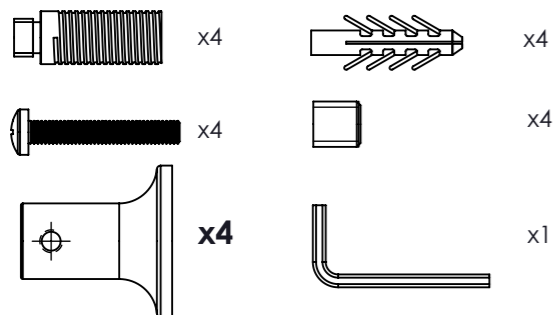


QhAa ^)•a }/ae^/a A {
T aeEY [\ a *AU/\•• ^\KFEAOes
T aeEY [\ a *A/\] \ ae ^\KAI »AO
Q \ aAU d^AKFEAOUU
Ø ^\KOEED

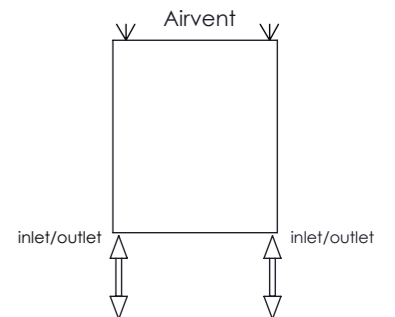
Seren 75-55



Installation Accessories:

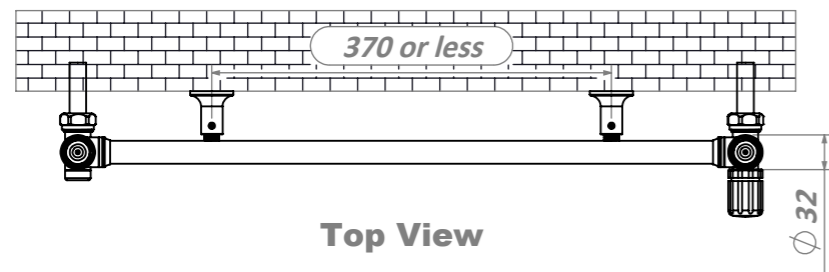
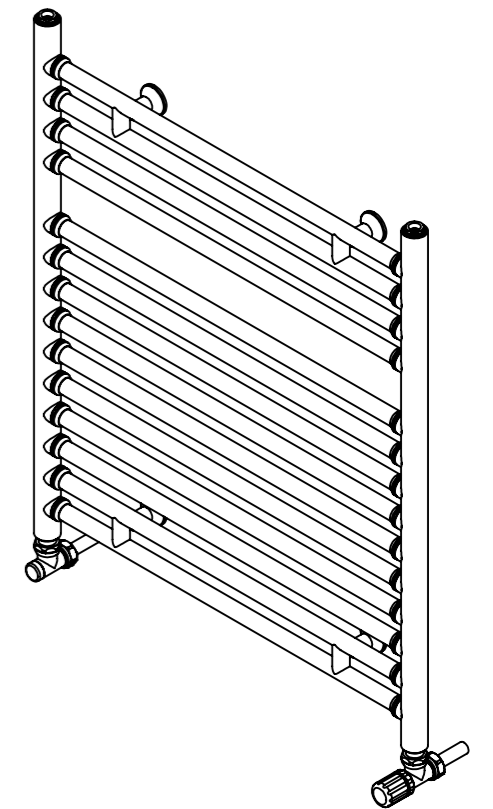
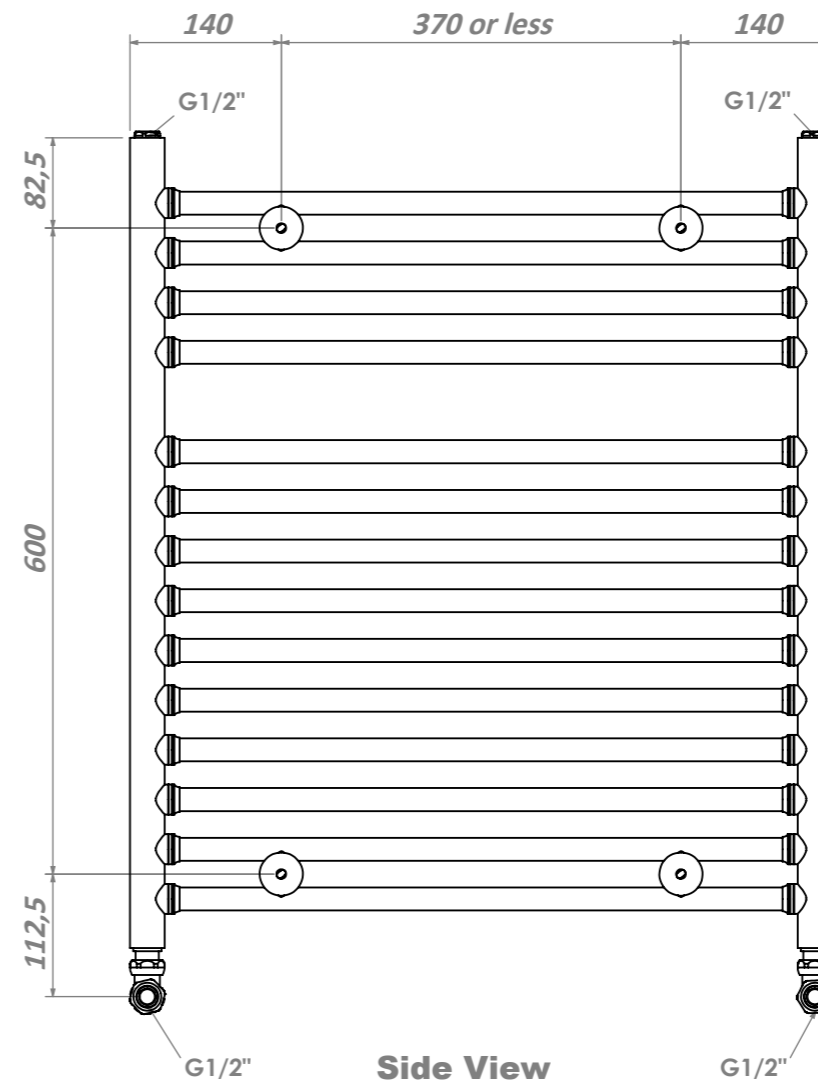
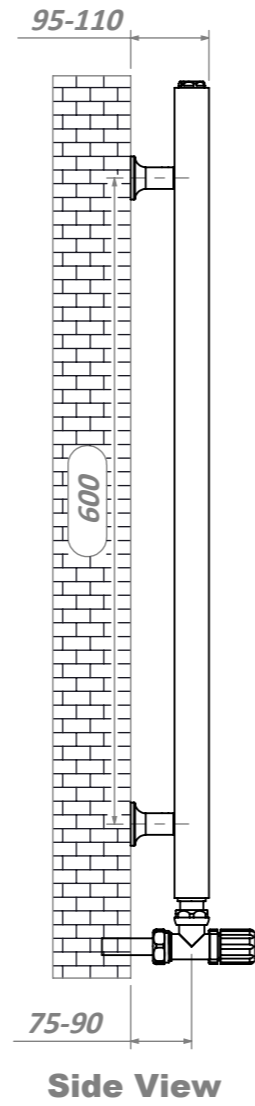
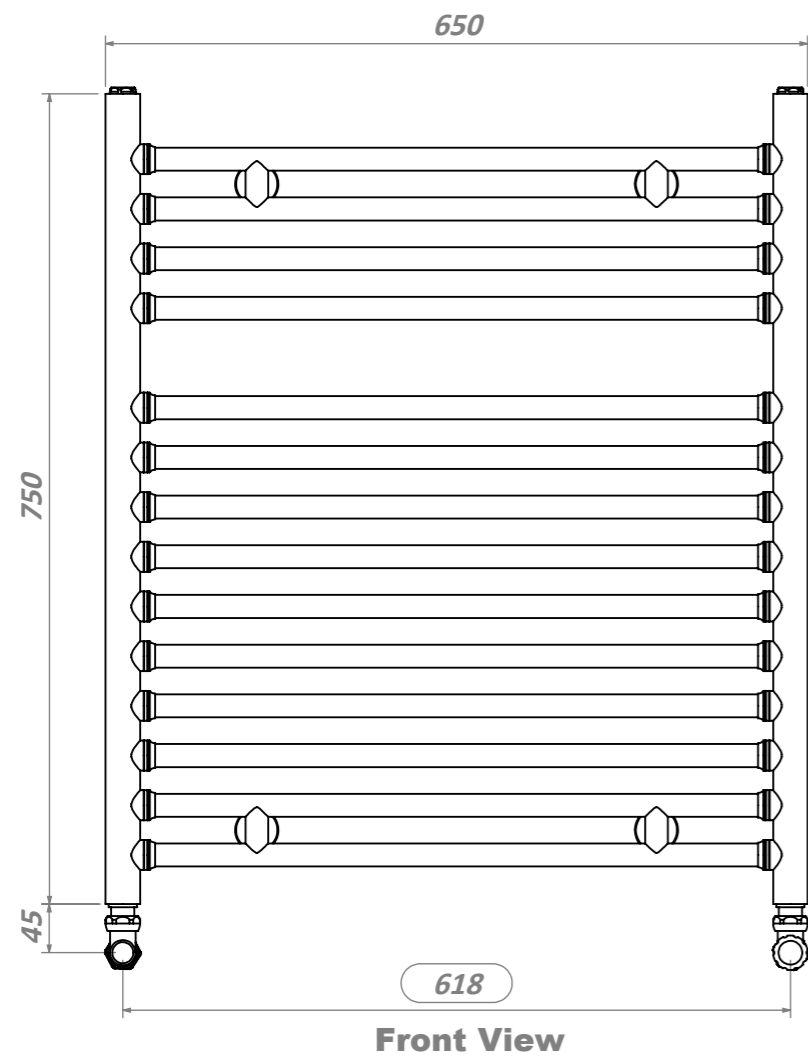


Plumbing Position:

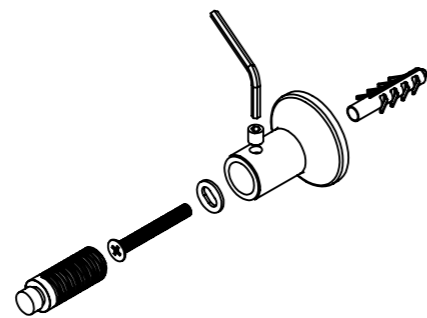
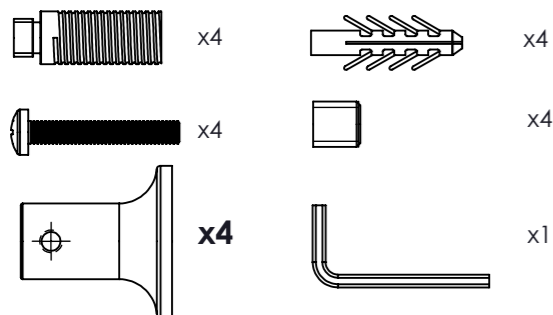


All Dimensions are in mm
 Max. Working Pressure: 10 Bar
 Max. Working Temperature: 95° C
 Inlet / Outlet : 1/2" BSP
 Fuel : E/H/D

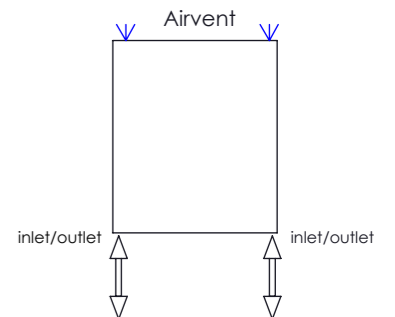
Seren 75-65



Installation Accessories:

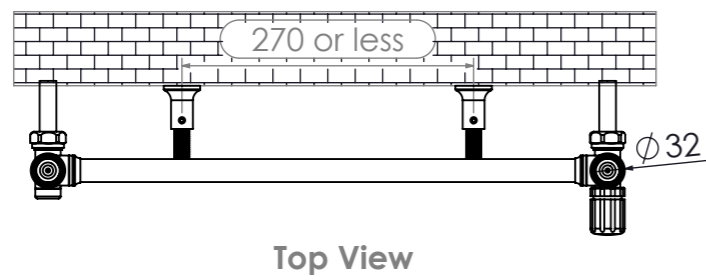
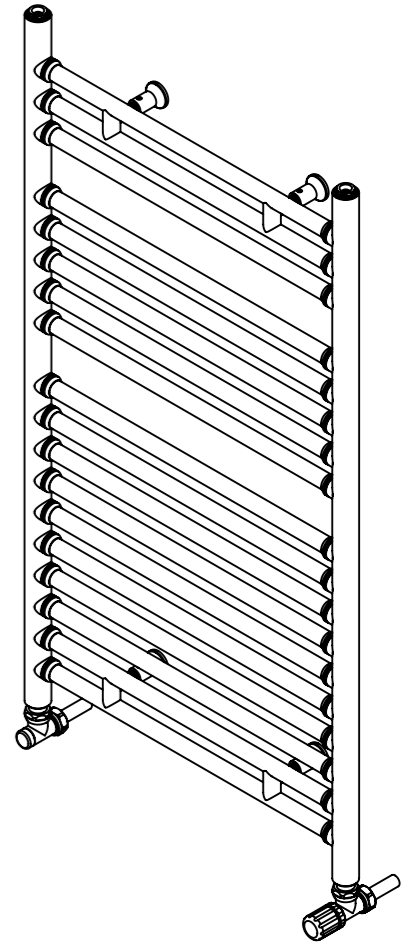
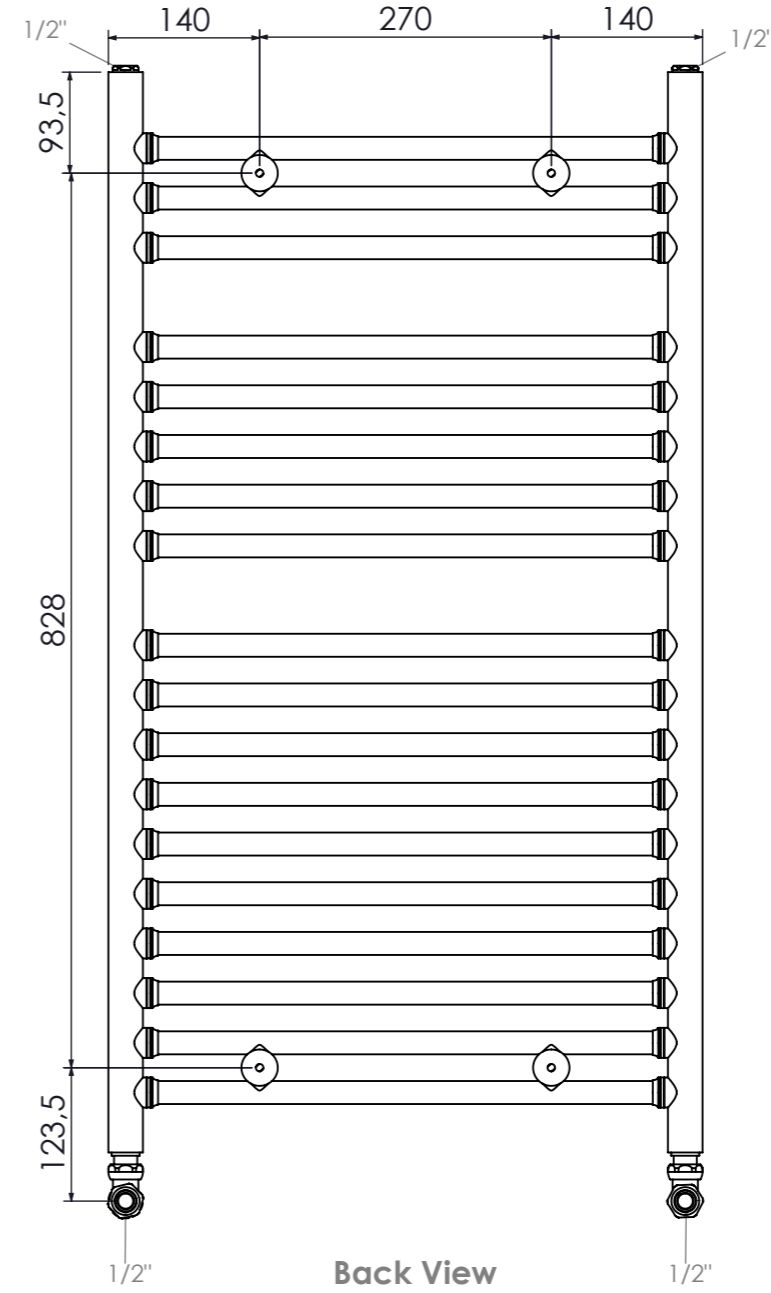
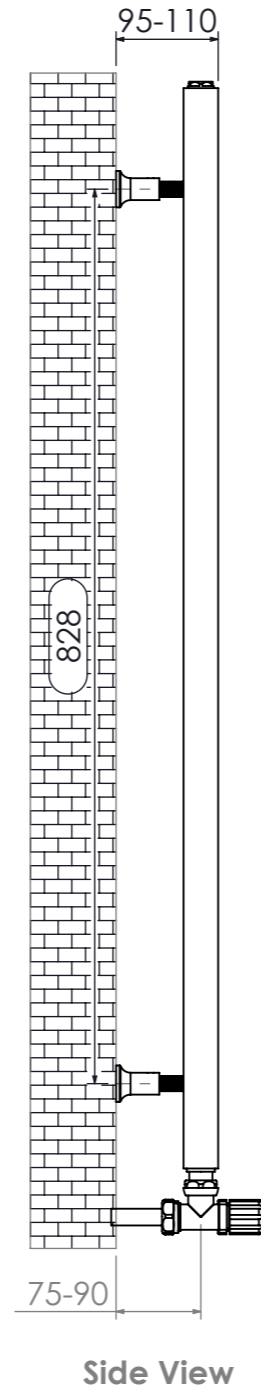
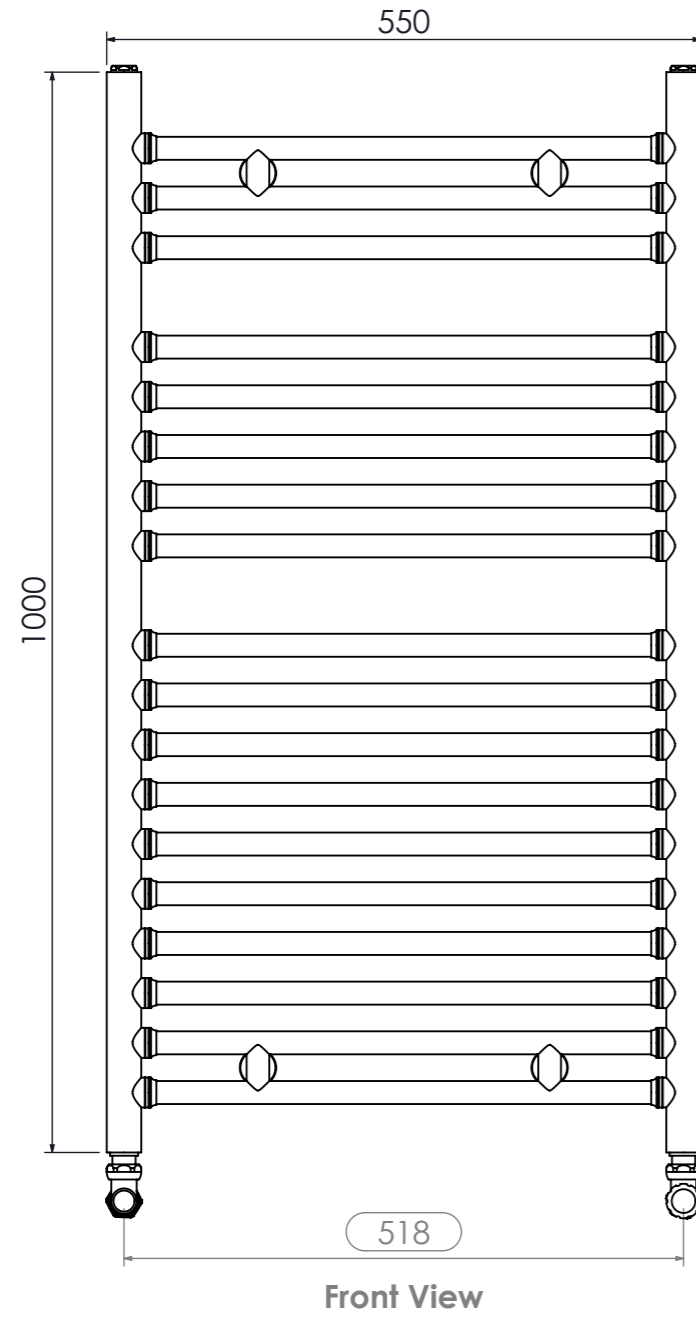


Plumbing Position:



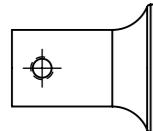





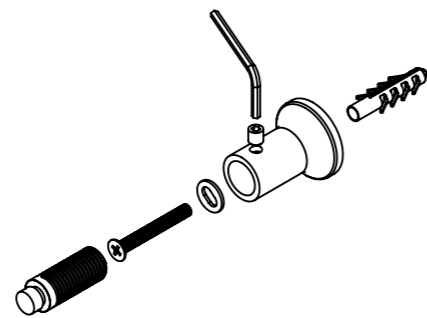
All Dimensions are in mm
 Max. Working Pressure: 10 Bar
 Max. Working Temperature: 95° C
 Inlet / Outlet : 1/2" BSP
 Fuel : E/H/D

Seren 100-55

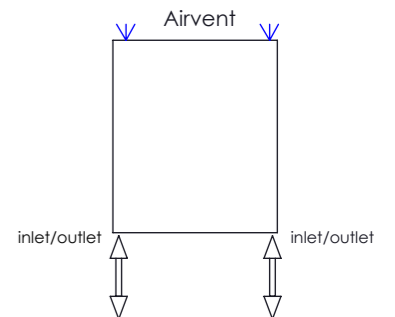


Installation Accessories:

-  x4
-  x4
-  x4
-  x4
-  x4
-  x1

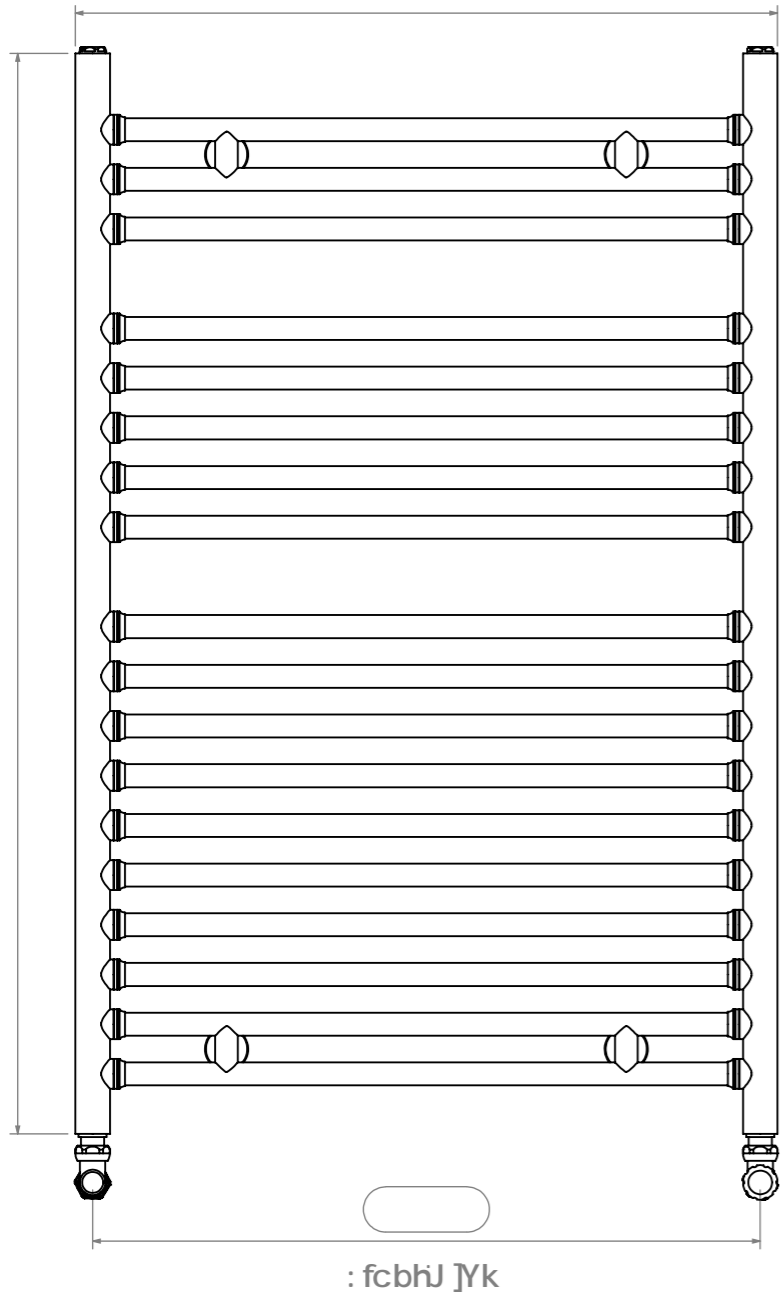


Plumbing Position:

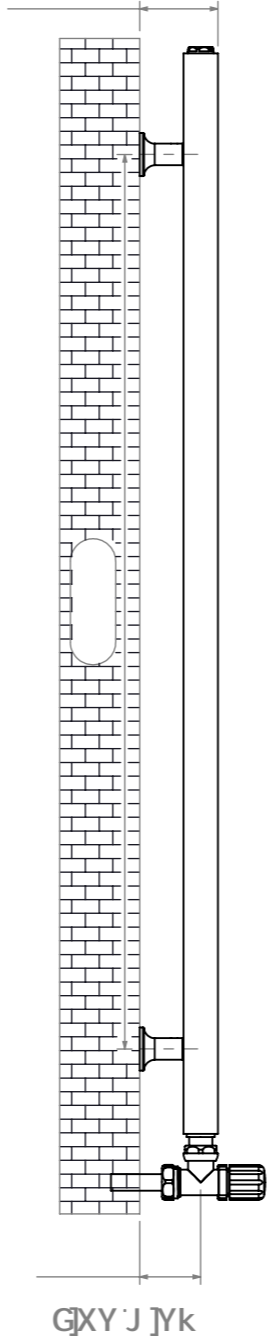


All Dimensions are in mm
 Max. Working Pressure: 10 Bar
 Max. Working Temperature: 95° C
 Inlet / Outlet : 1/2" BSP
 Fuel : E/H/D

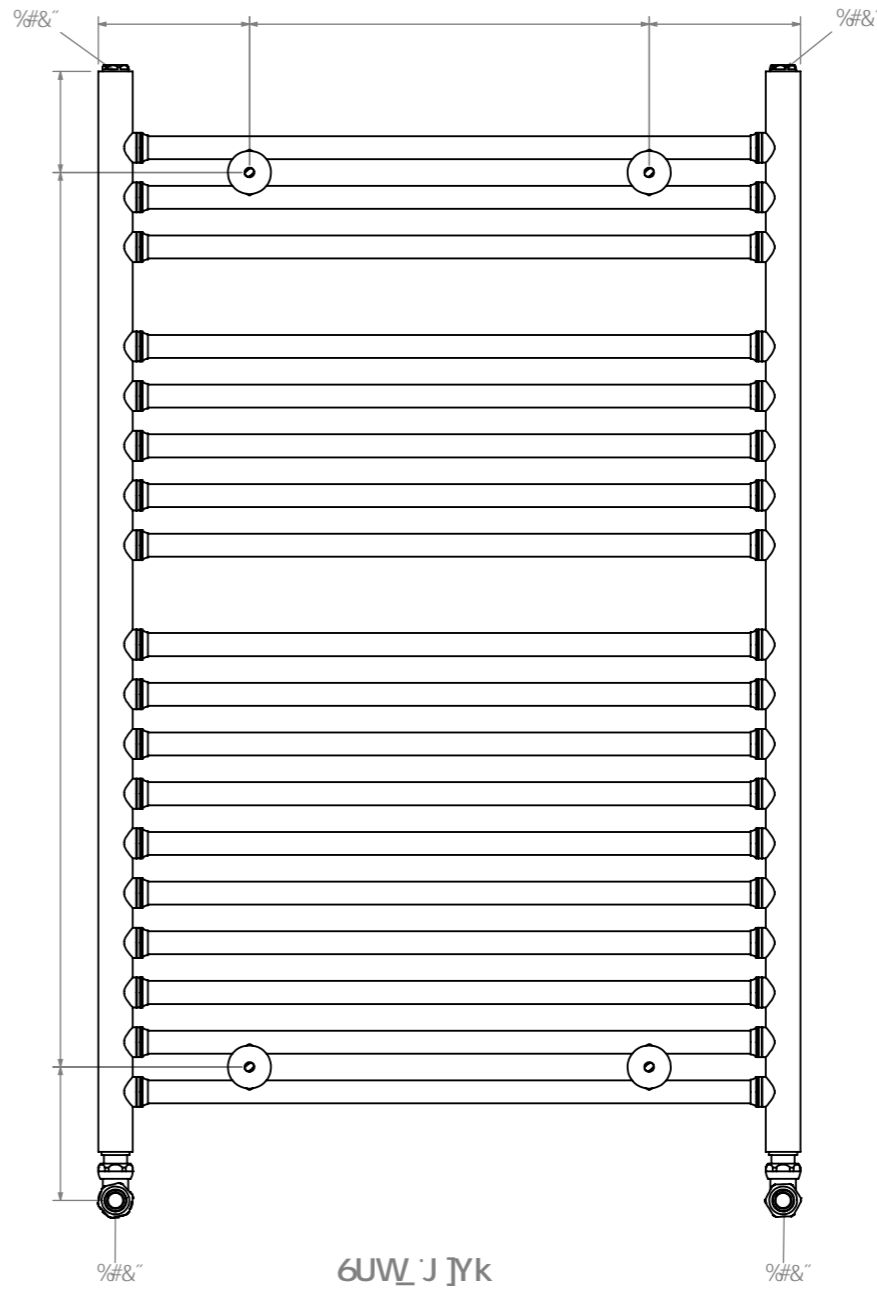
GYfyb %\$\$!*)



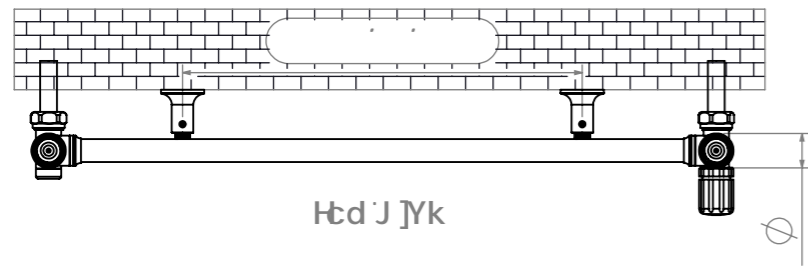
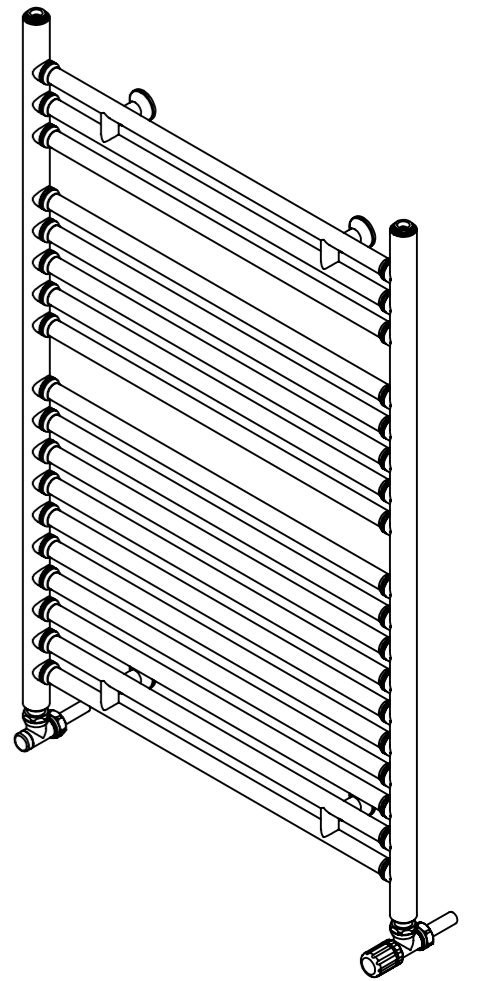
: fcbhJ JYk



GXY J JYk

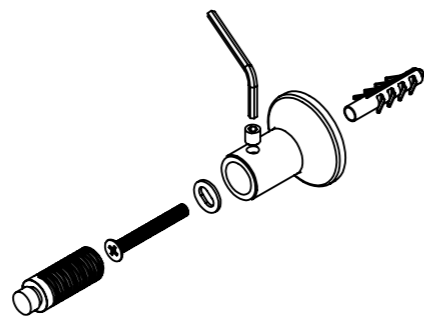
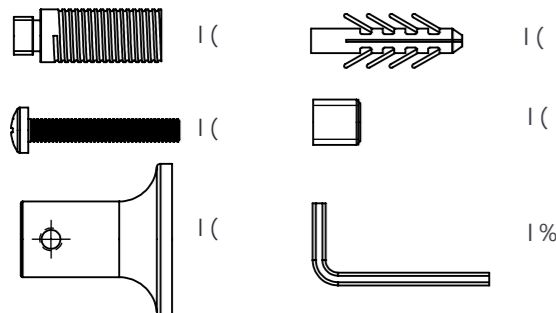


6UW J JYk

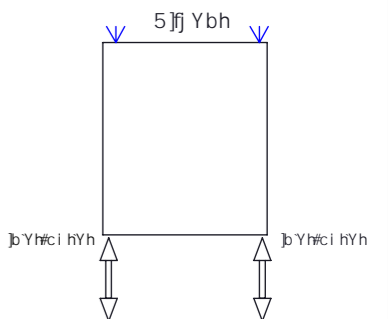


Htd J JYk

~bghU`UHjcb`5WVYggcfjYg`

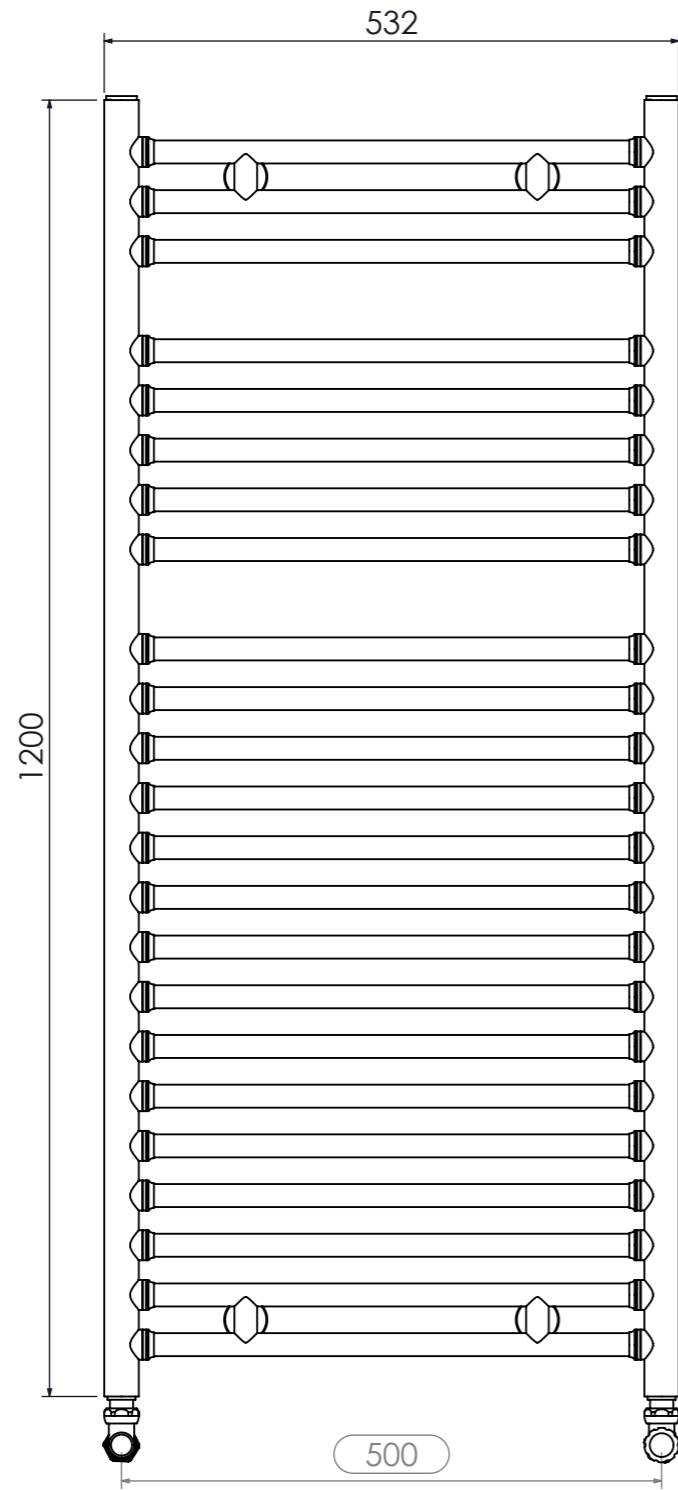


'Di a V]b['Dcgl]cb.'

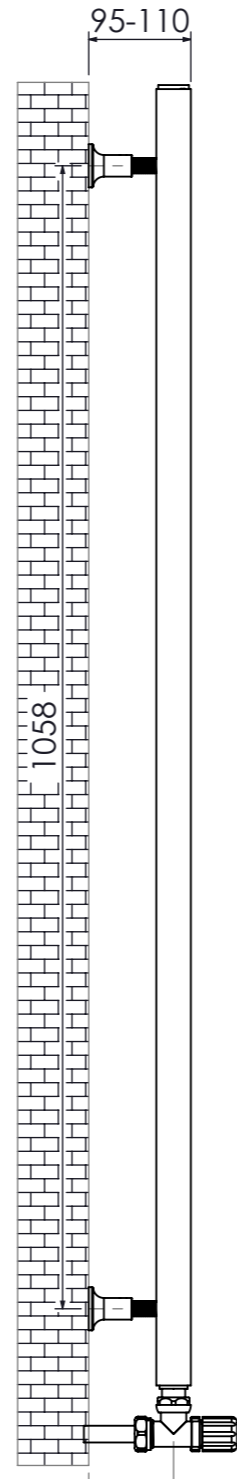


CP/AÖa ^)•ã }/ãe^/ã Á {
T æEY [\à *AÜ/ã •ã \ãKfE/ÁÖes
T æEY [\à *A/ã] \ãe \ãKf/ÁÖes
Q \ã/ãÜ q \ãKfE/ÁÖes
Ø \ã/ãÖP EÖ

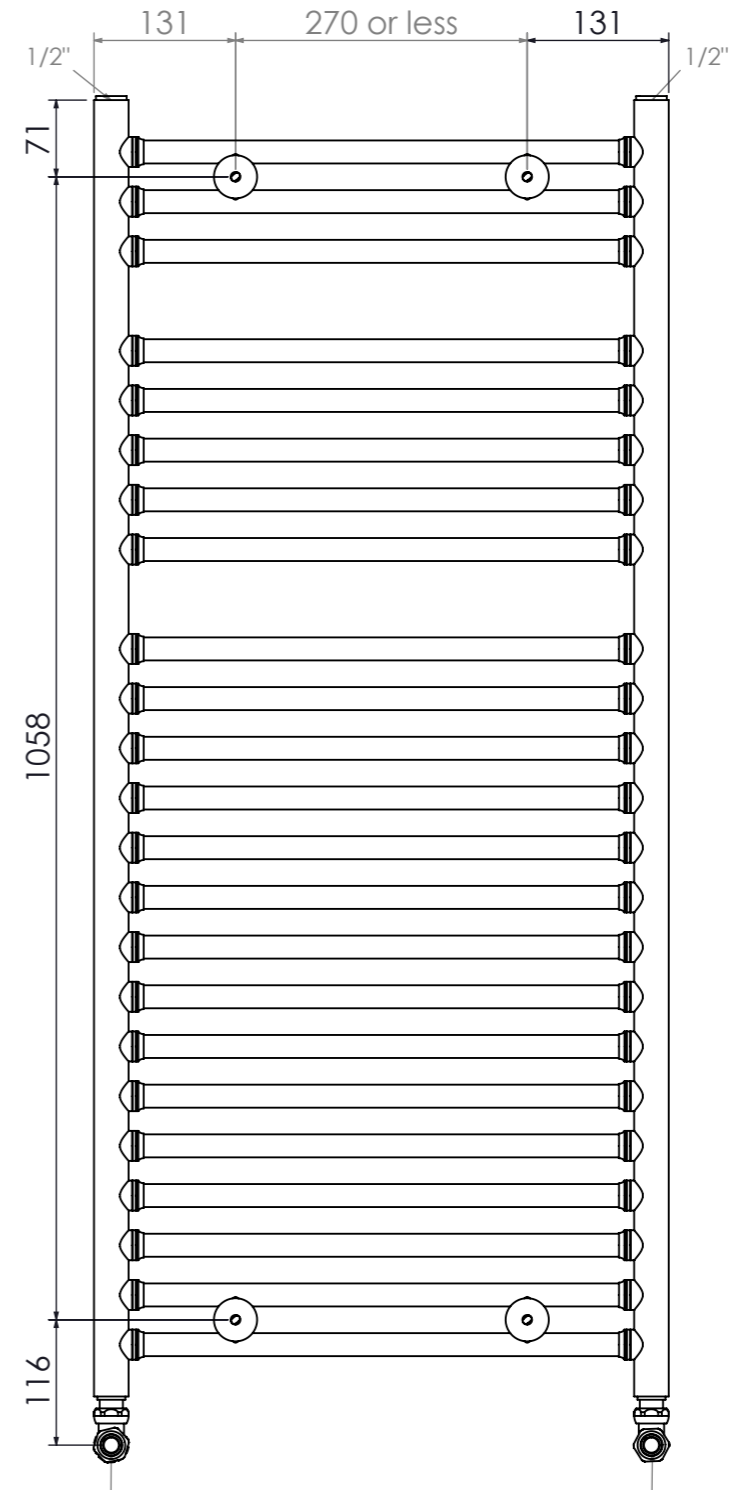
Seren 120-55



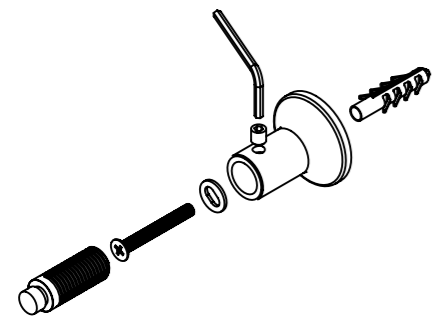
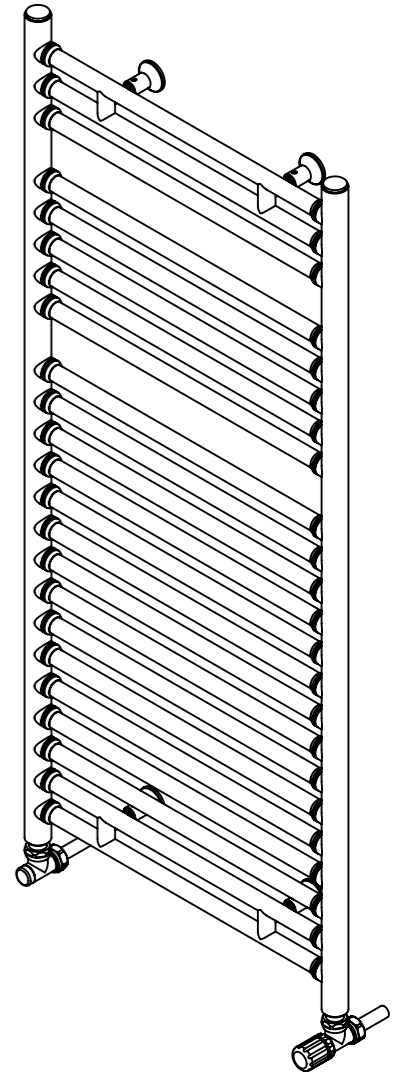
Front View







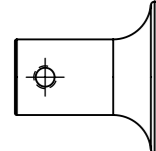
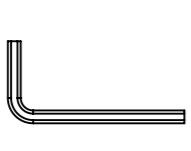
Side View

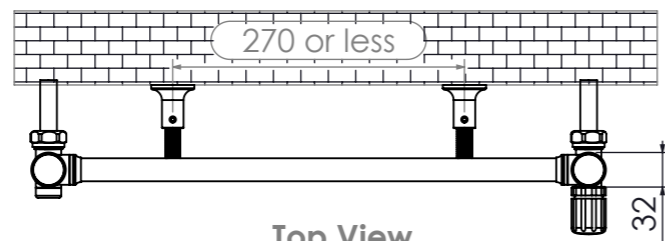


Back View



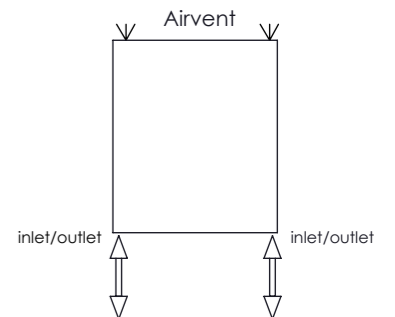
Installation Accessories:

-  x4
-  x4
-  x4
-  x4
-  x4
-  x1



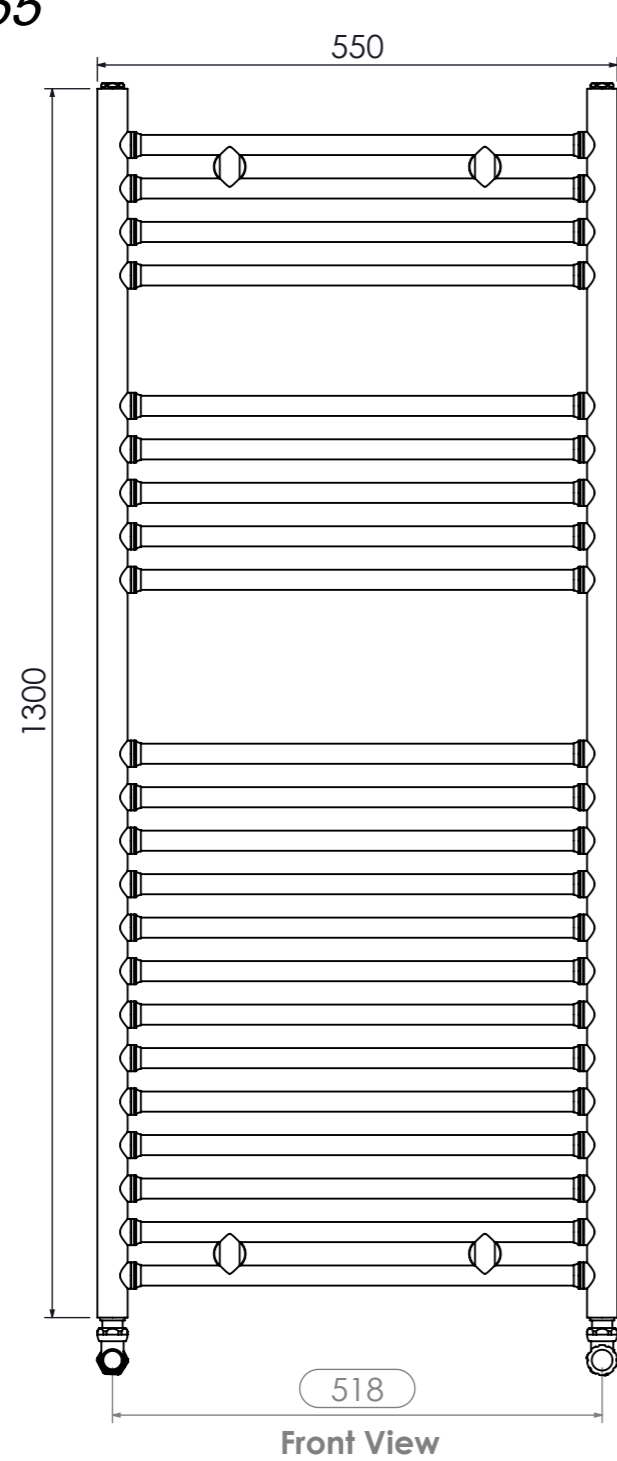
Top View

Plumbing Position:

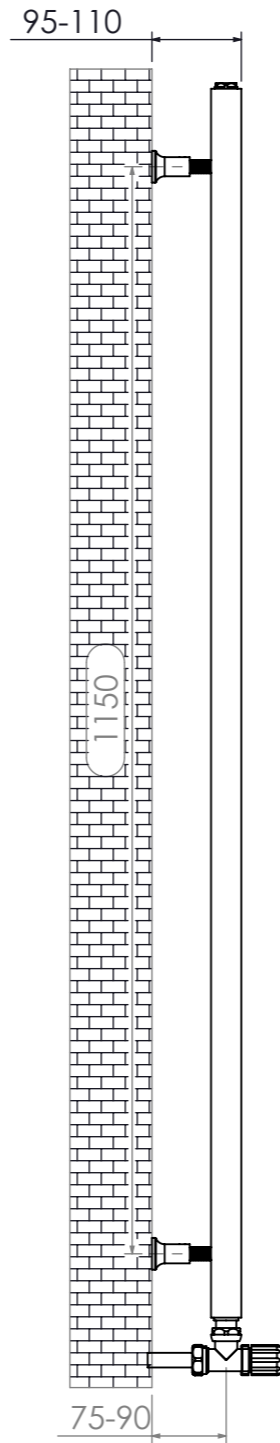


All Dimensions are in mm
 Max. Working Pressure: 10 Bar
 Max. Working Temperature: 95° C
 Inlet / Outlet : 1/2" BSP
 Fuel : E/H/D

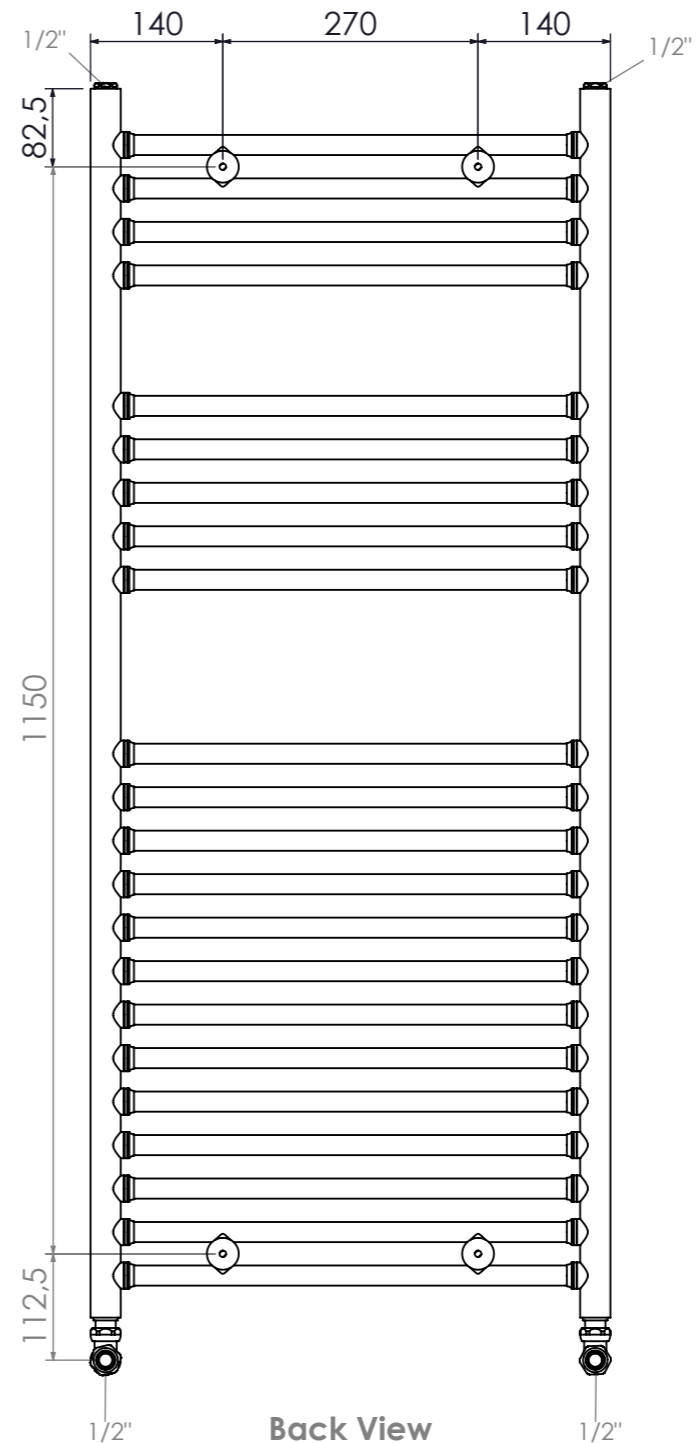
Seren 130-55



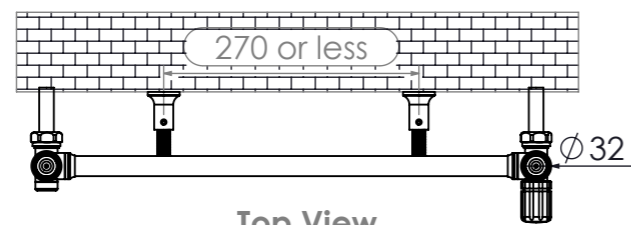
Front View



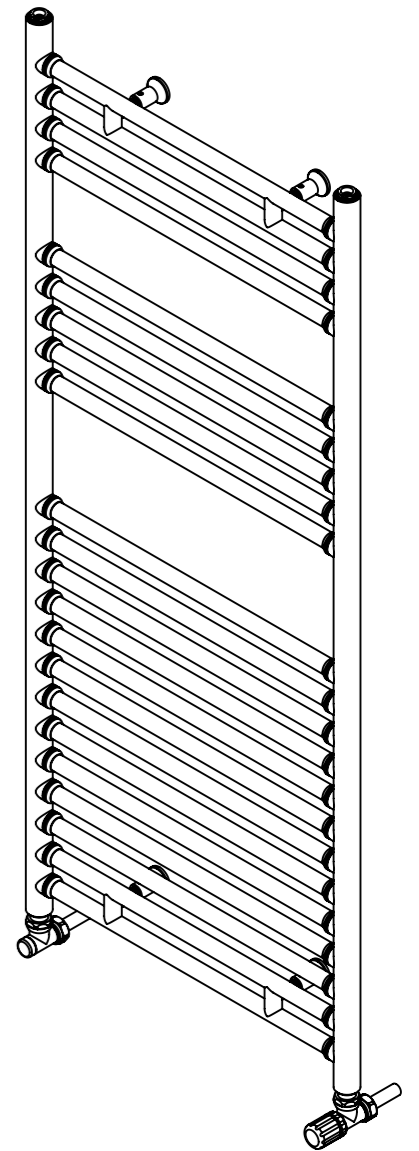
Side View



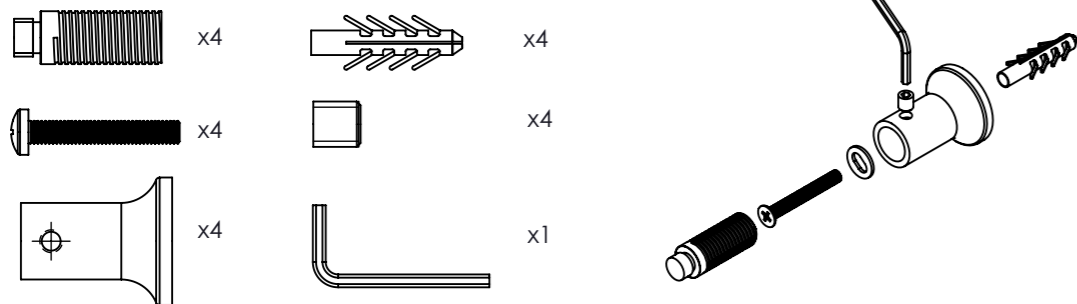
Back View



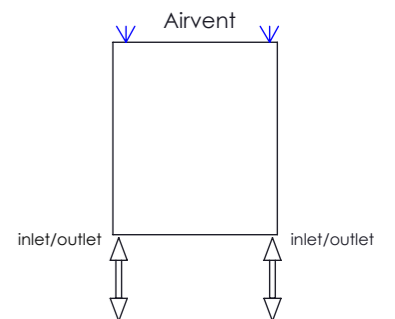
Top View



Installation Accessories:

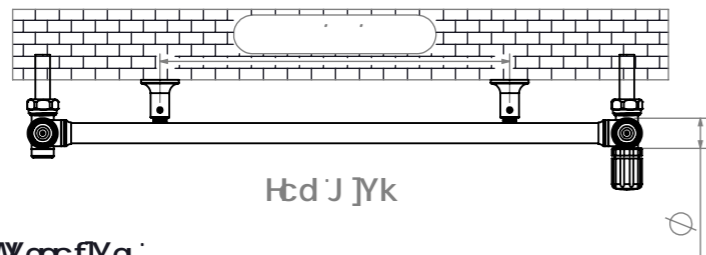
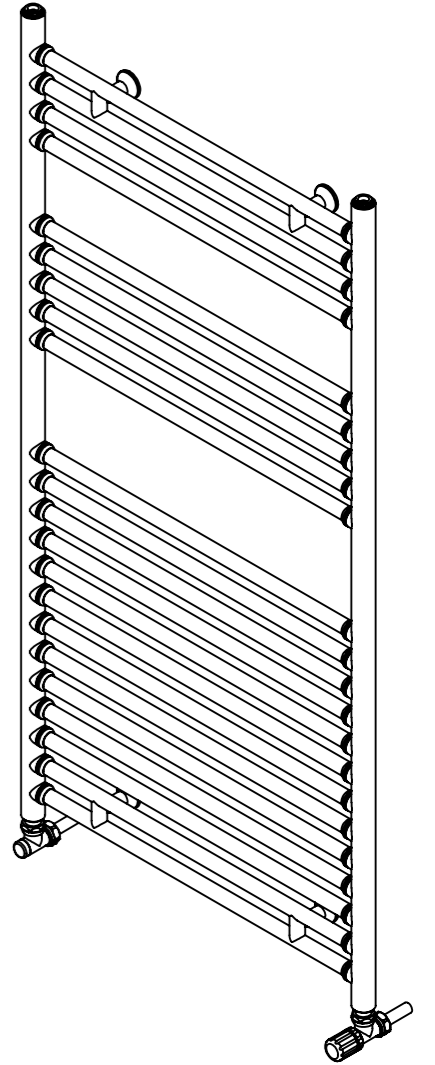
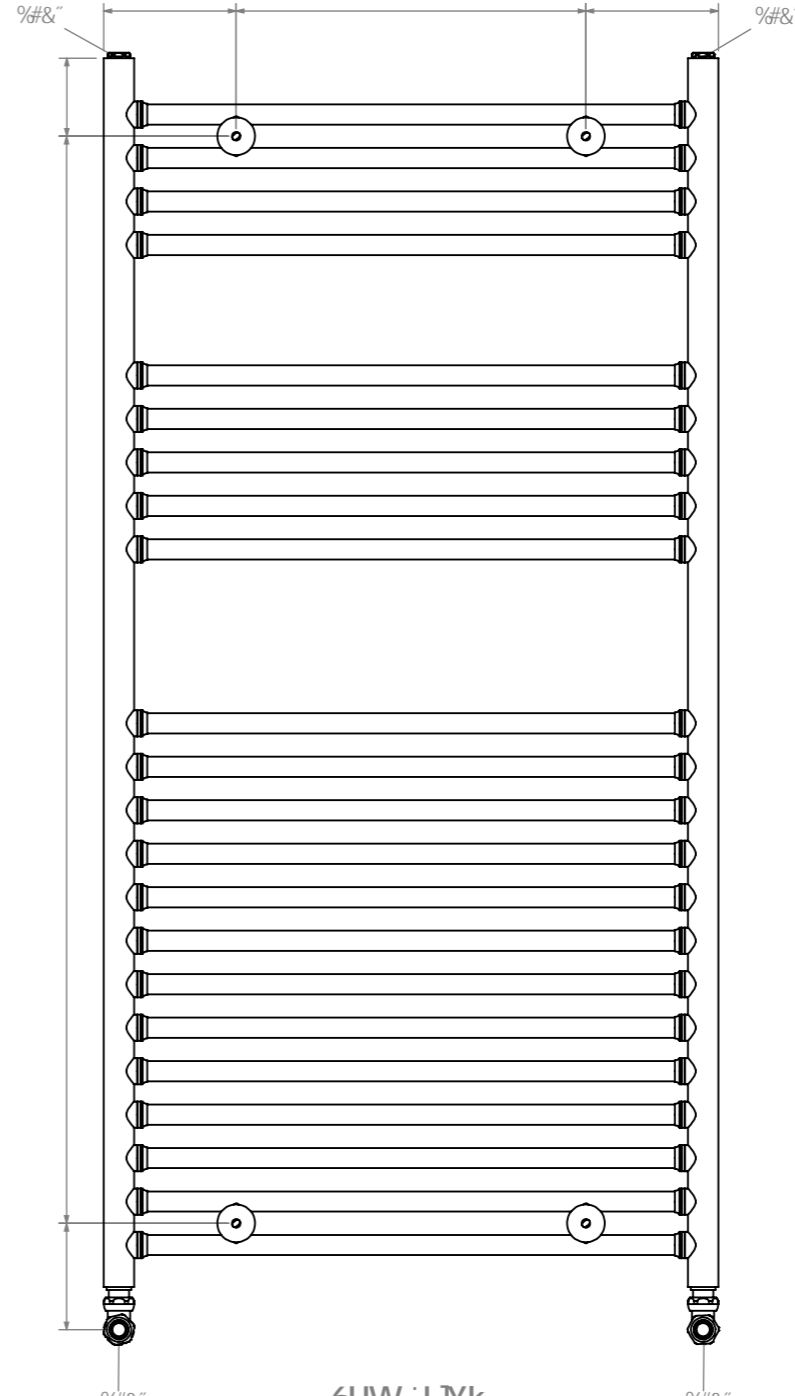
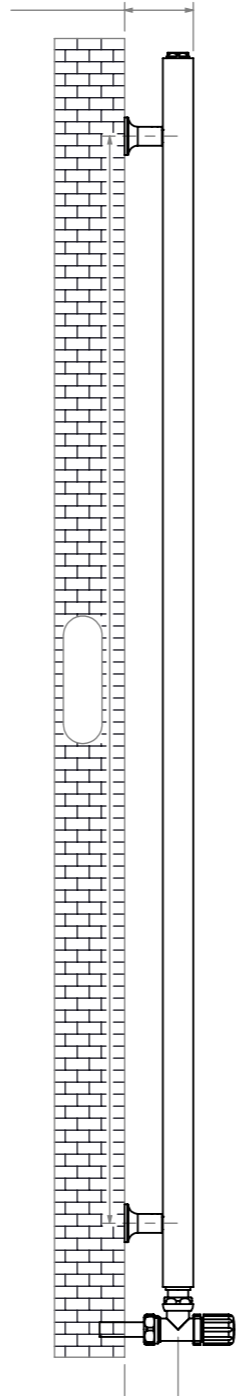
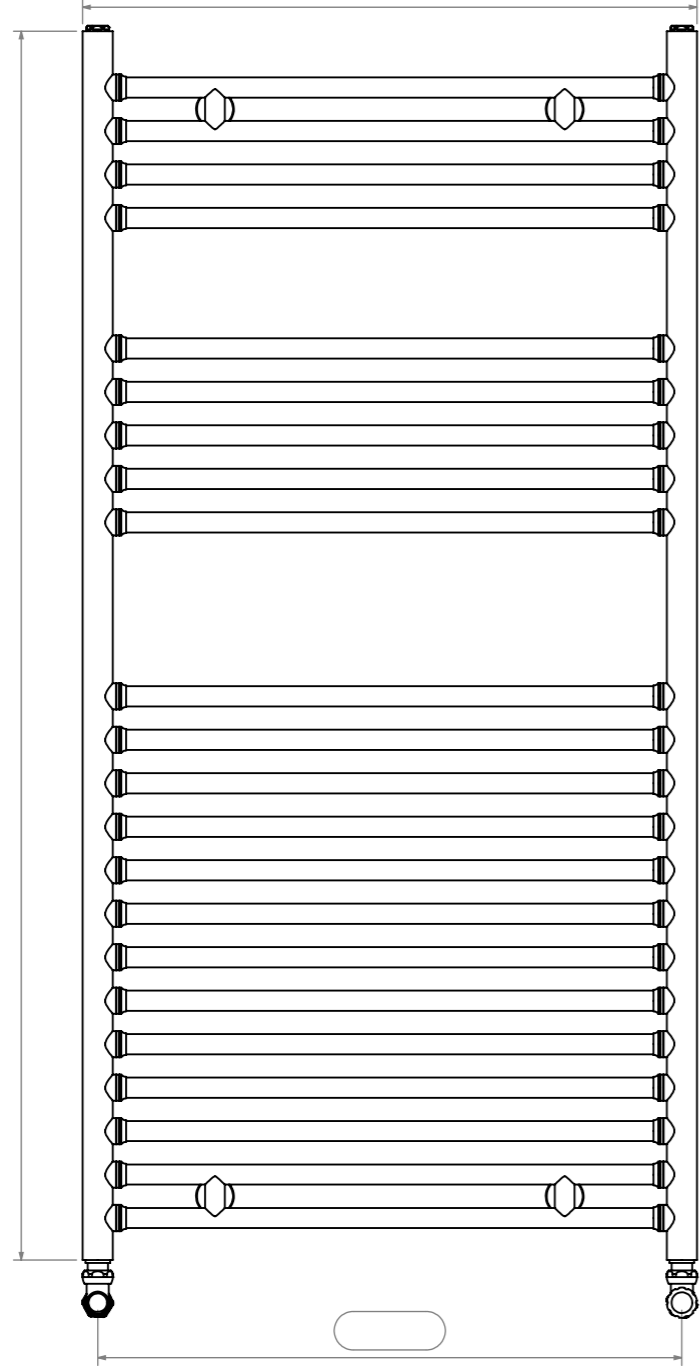


Plumbing Position:

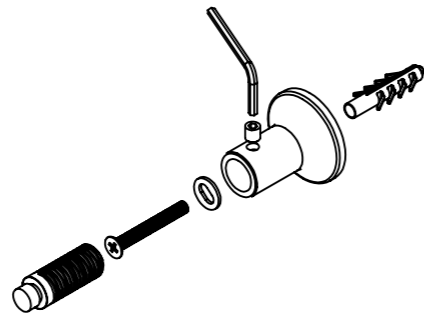
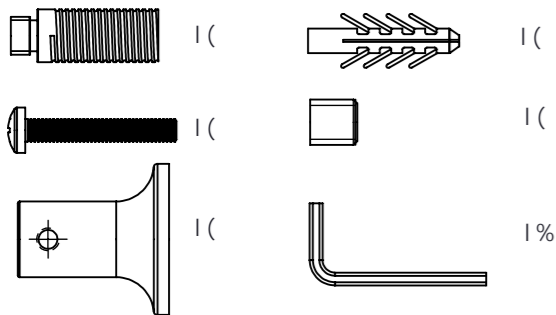


All Dimensions are in mm
 Max. Working Pressure: 10 Bar
 Max. Working Temperature: 95° C
 Inlet / Outlet : 1/2" BSP
 Fuel : E/H/D

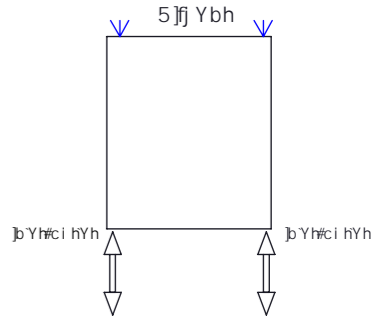
GYfYb % \$!*)



~bghU`Uhjcb`5WwVggcfjYg`

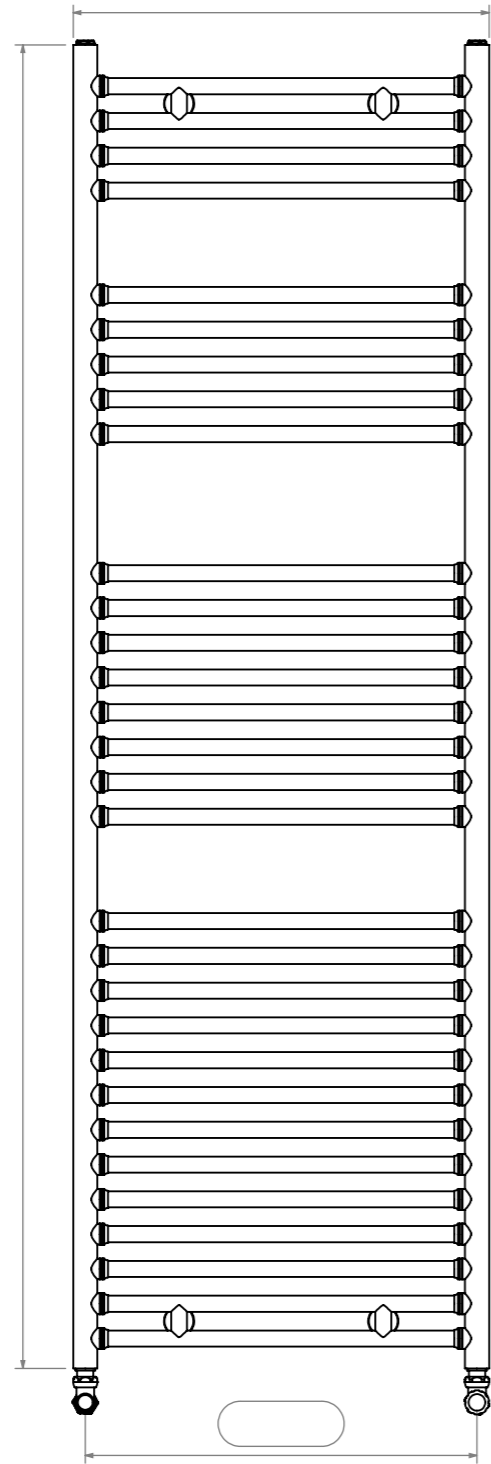


'Di a V]b['Dcgl]cb.'

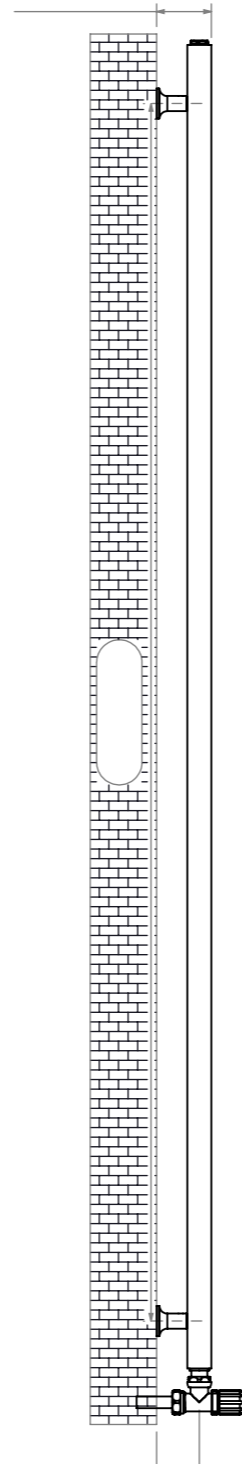


Cn/AÖa ^)•ã }/æ^/ã Á {
 T æEY [\ a *AU\^••' \^KfE/0es
 T æEY [\ a *A/\] \æ \^KAI »AÖ
 Q \^AU d \^AKFBAYOUU
 Ø \^AKOB ED

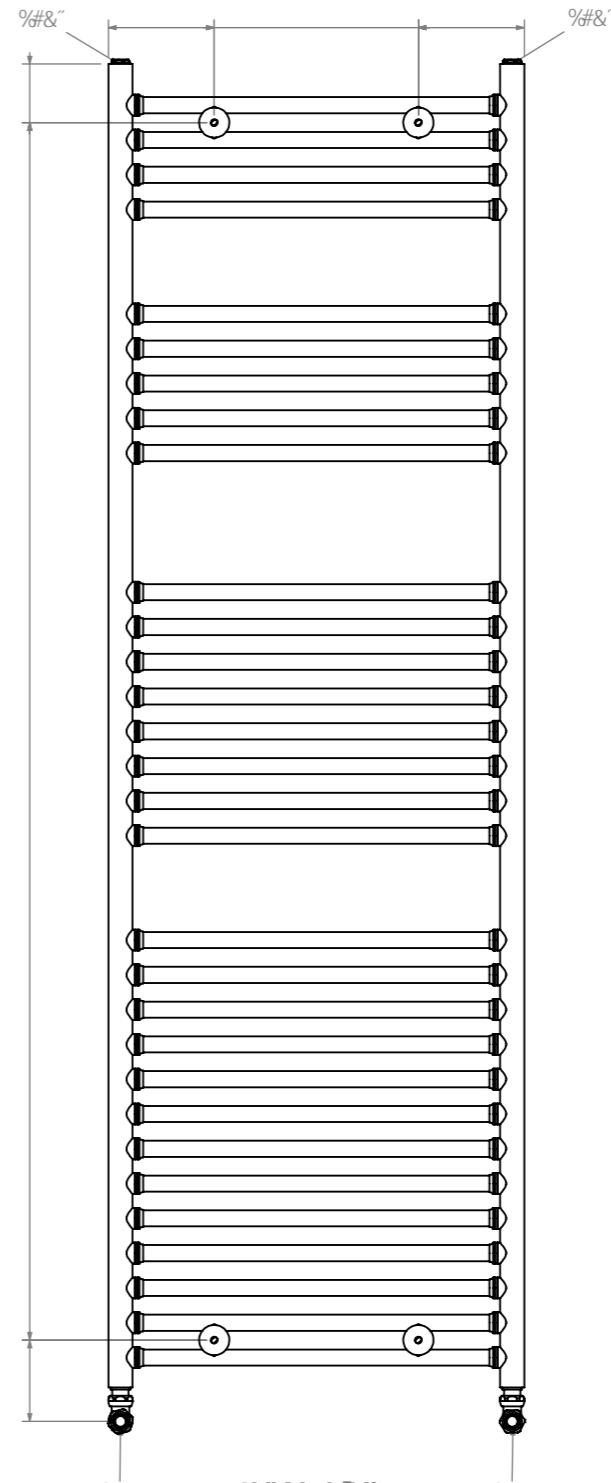
GYfyb %+) !))



: fcbhJ JYk



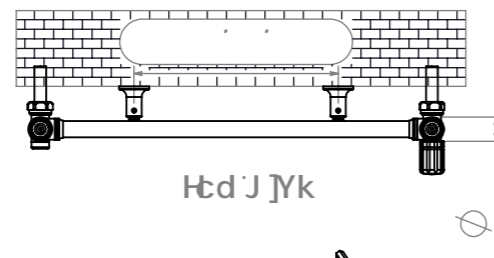
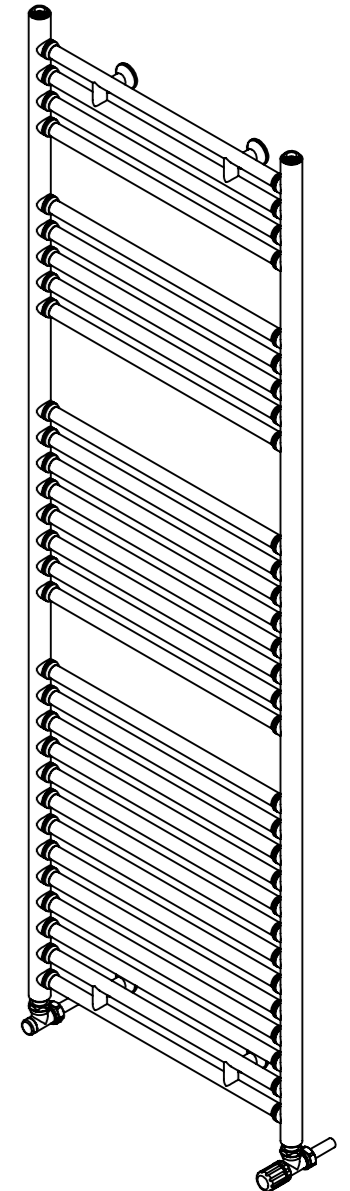
GXY J JYk



%#&\"

6UW J JYk

%#&\"



Htd J JYk

≠bghU`UHjcb`5WVWggcfjYg`



1(



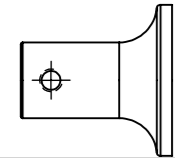
1(



1(



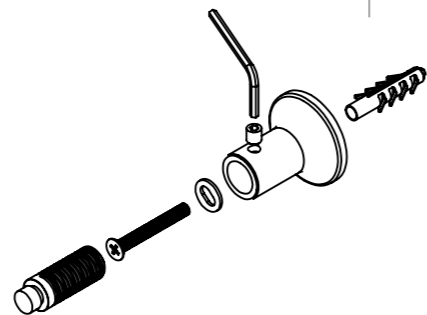
1(



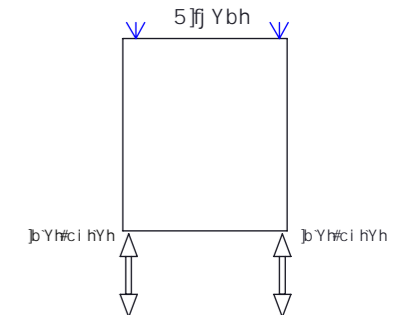
1(



1%

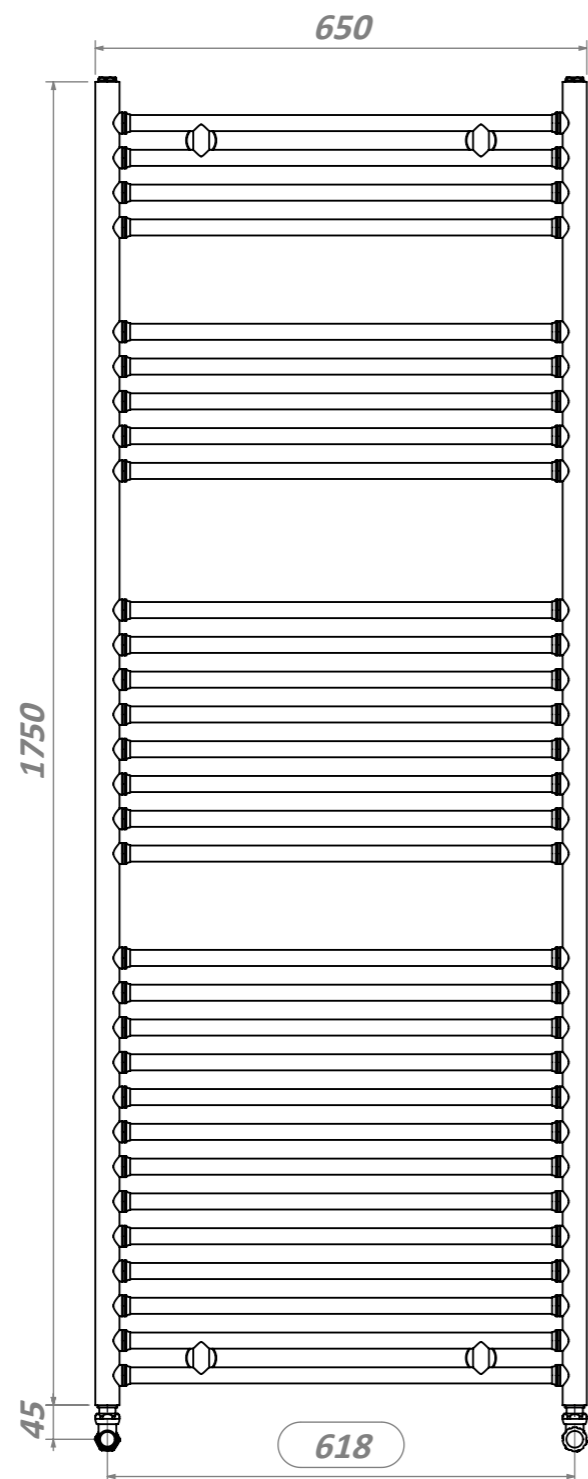


'Di a V]b['Dcgh]cb.'

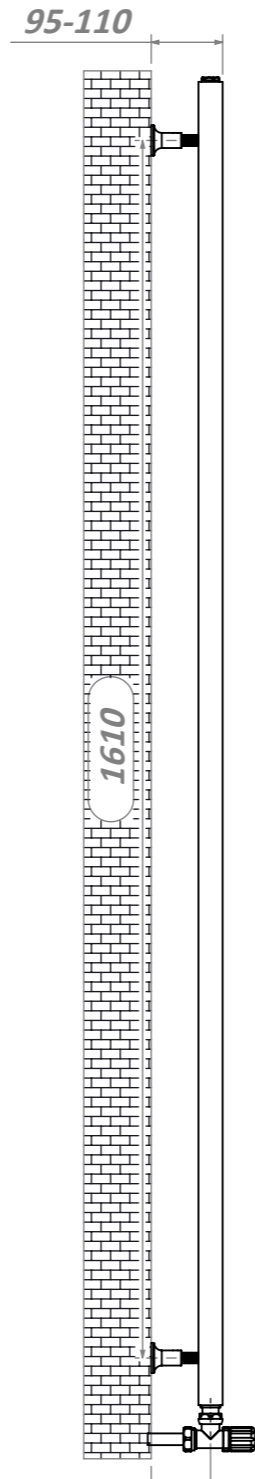


Qh/AÖa ^)•ã }/æ^/ã Á {
T æEY [\ a *AU/\•• ^\KFE/Öes
T æEY [\ a *A/\] \ æ ^\KAI »ÄÖ
Q \ aAU q \ aKFE/ÖOUU
Ø ^\KÖP ED

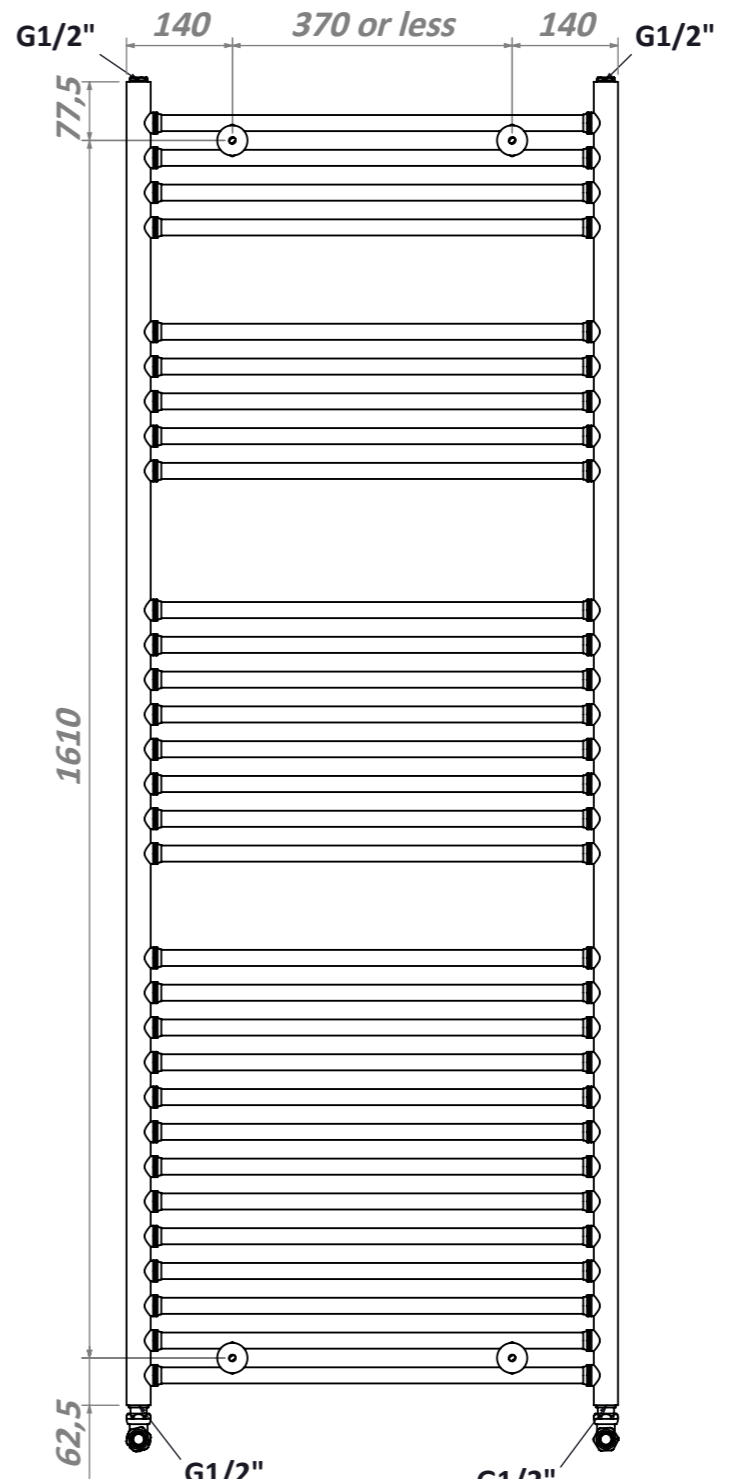
Seren 175-65



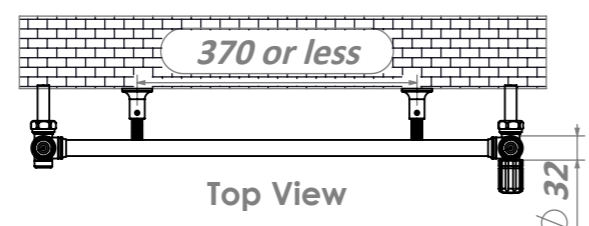
Front View



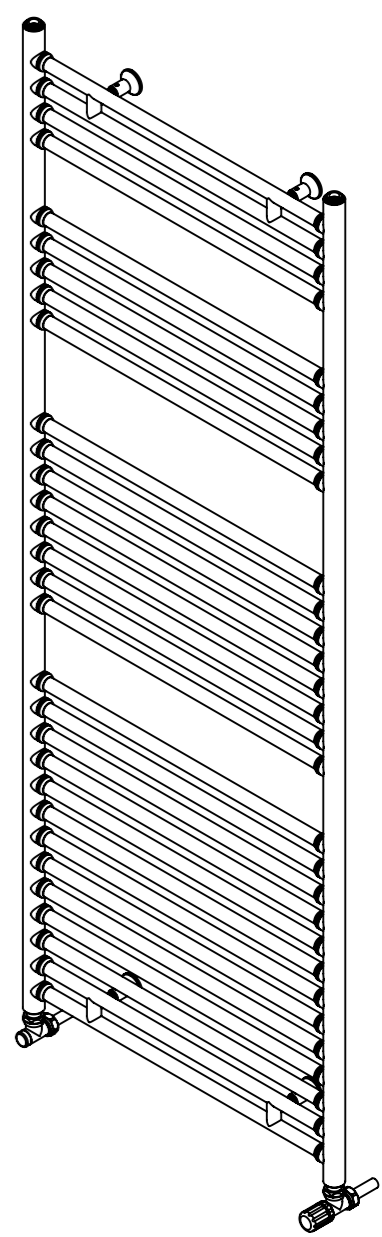
Side View





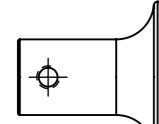
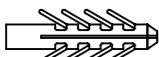
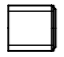

Back View

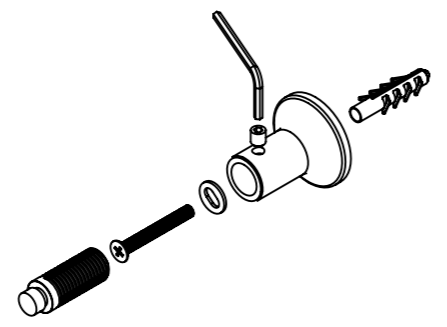


Top View

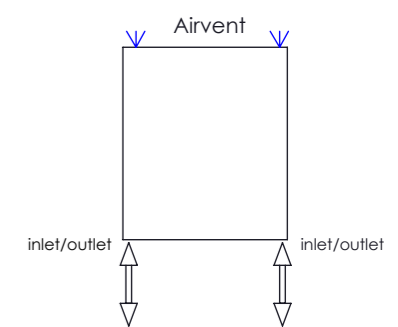


Installation Accessories:

-  x4
-  x4
-  x4
-  x4
-  x4
-  x1



Plumbing Position:



All Dimensions are in mm
 Max. Working Pressure: 10 Bar
 Max. Working Temperature: 95° C
 Inlet / Outlet : 1/2" BSP
 Fuel : E/H/D