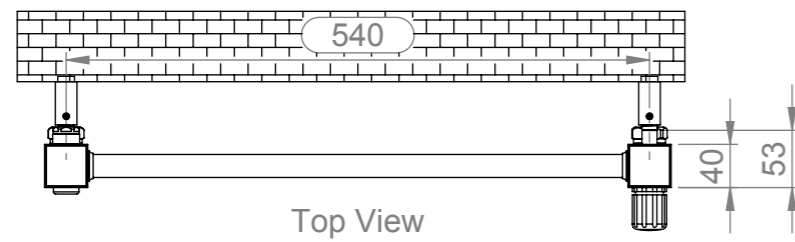
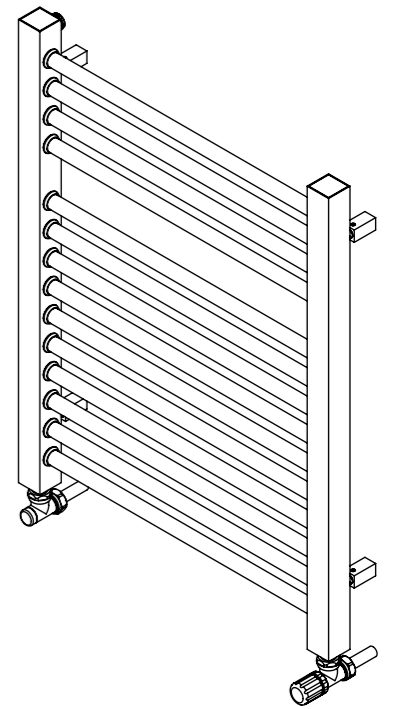
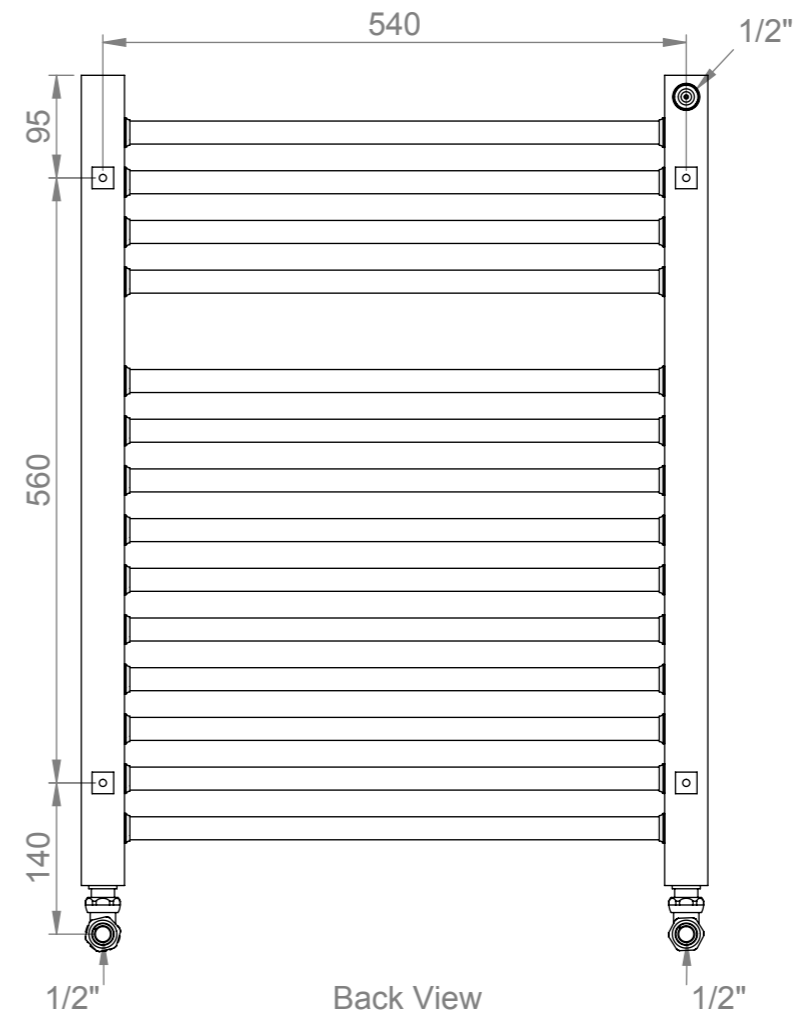
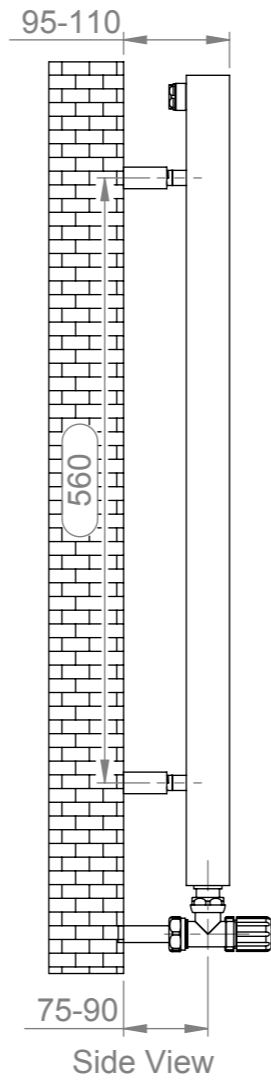
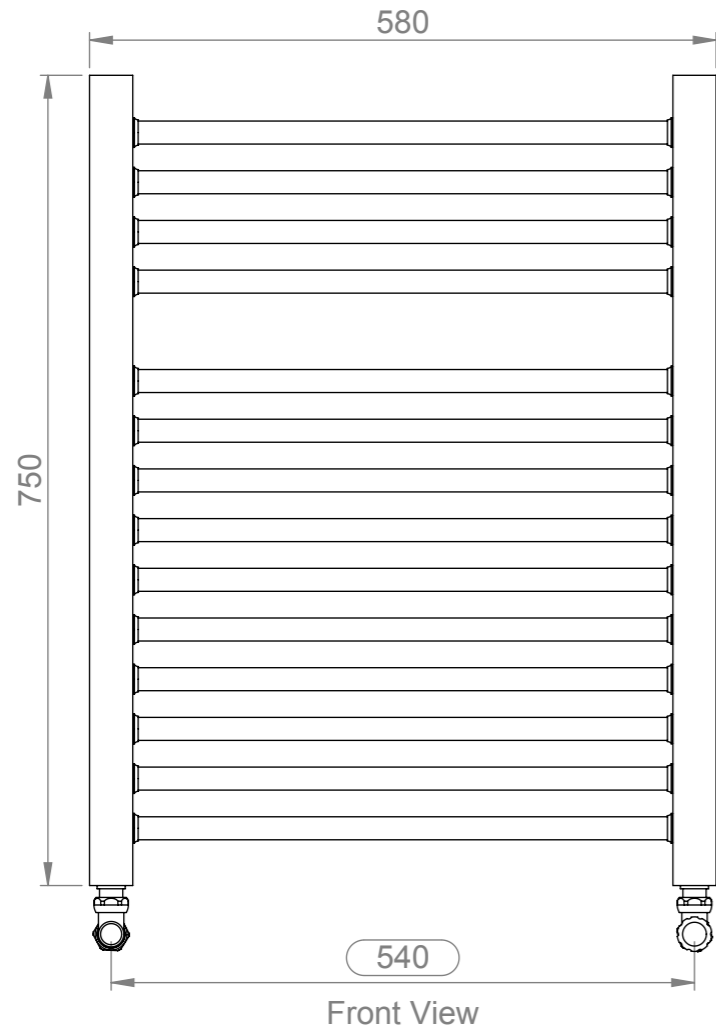

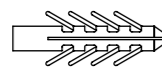




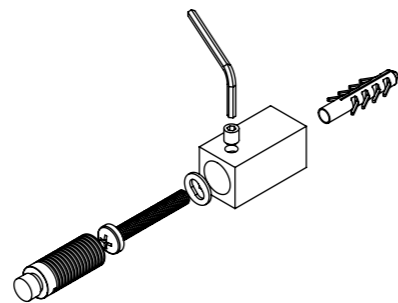


SERHAD 75-50

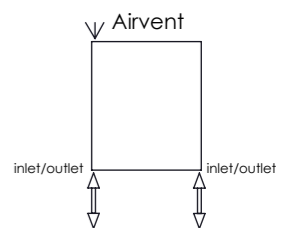


Installation Accesories:

- | | | | |
|---|----|---|----|
|  | x4 |  | x4 |
|  | x4 |  | x4 |
|  | x4 |  | x1 |



Fitting Position:



All Dimension are in mm
 Max. Working Pressure = 10 Bar
 Max. Working Temperature = 95° C
 Inlet / Outlet : 1/2" BSP