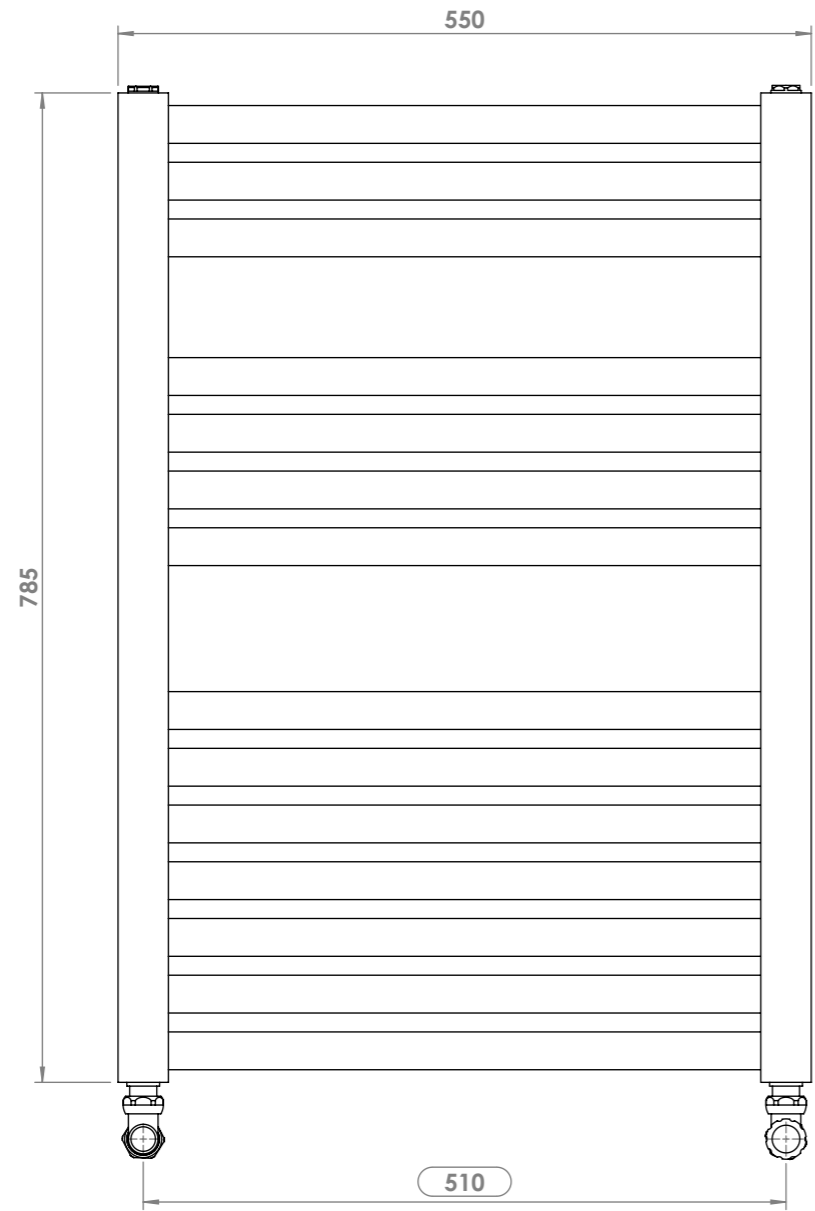
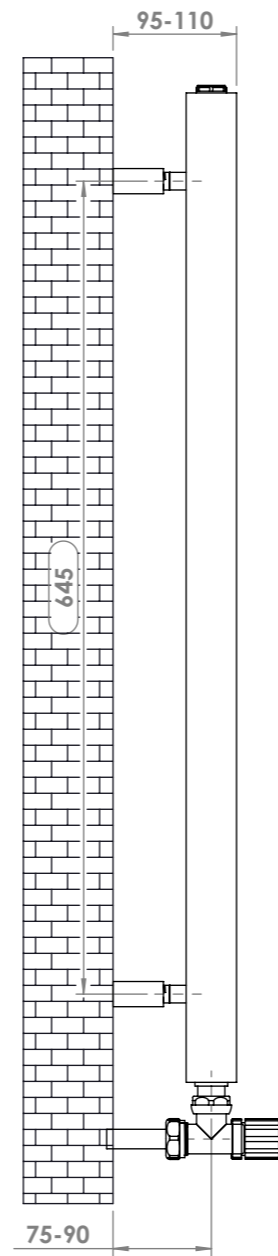


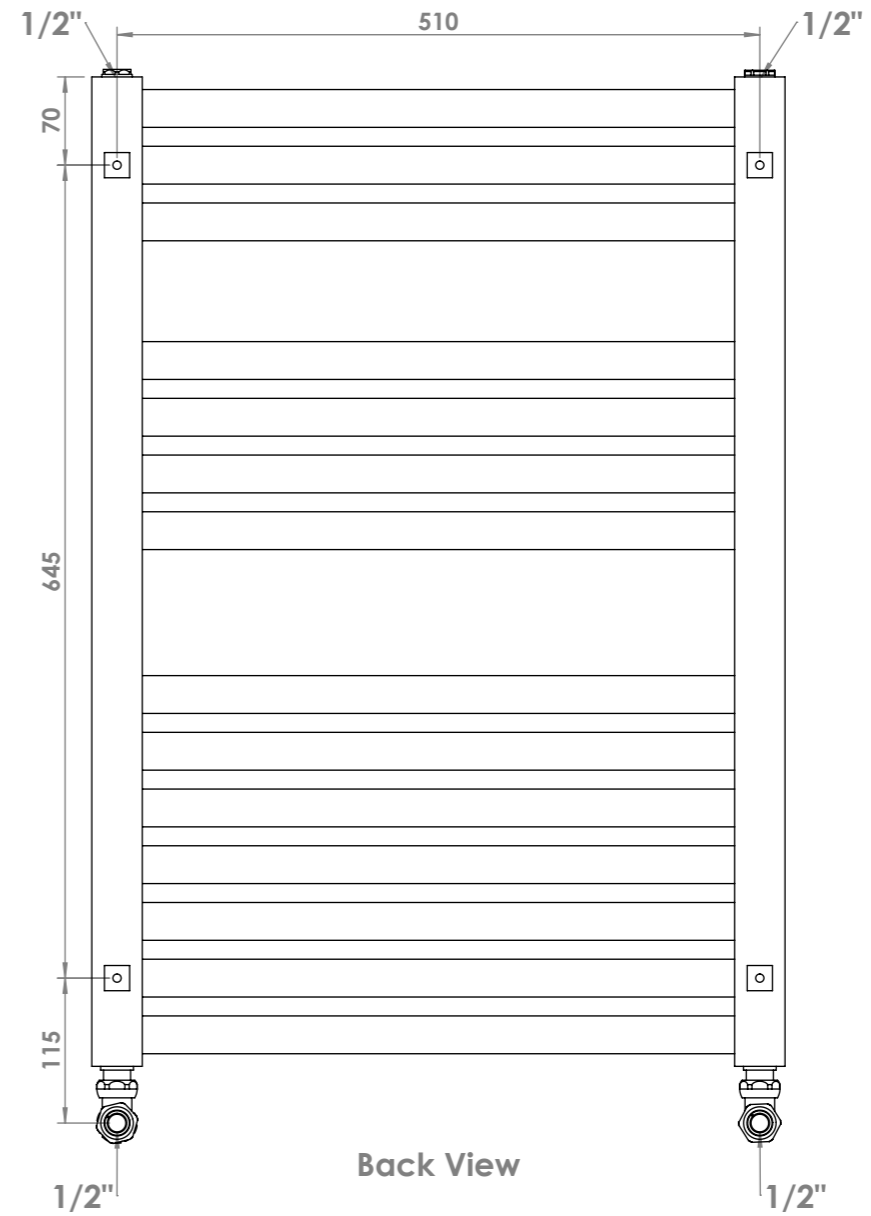
# SERIF 5S8



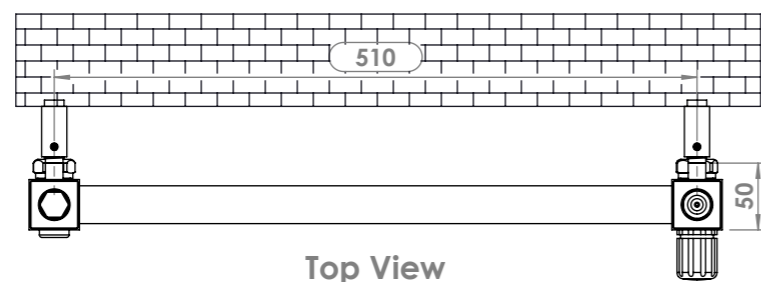
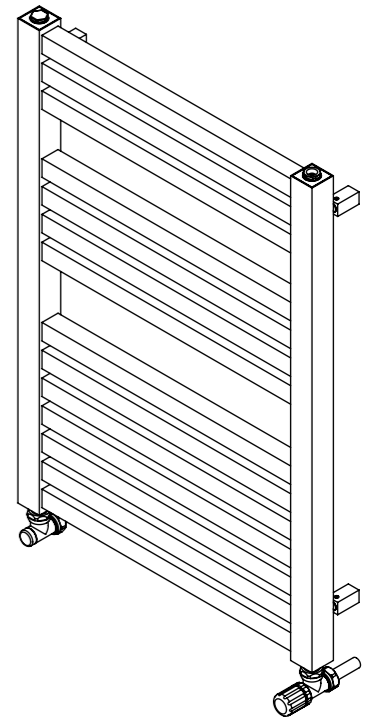
Front View



Side View




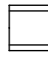




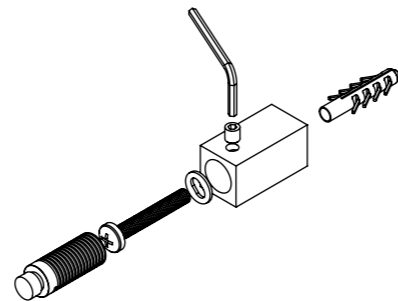
Back View



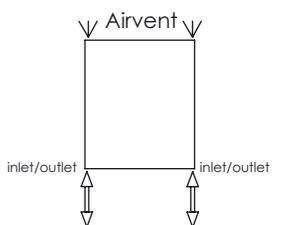
Top View

## Installation Accesories:

- |                                                                                     |    |                                                                                     |    |
|-------------------------------------------------------------------------------------|----|-------------------------------------------------------------------------------------|----|
|  | x4 |  | x4 |
|  | x4 |  | x4 |
|  | x4 |  | x1 |

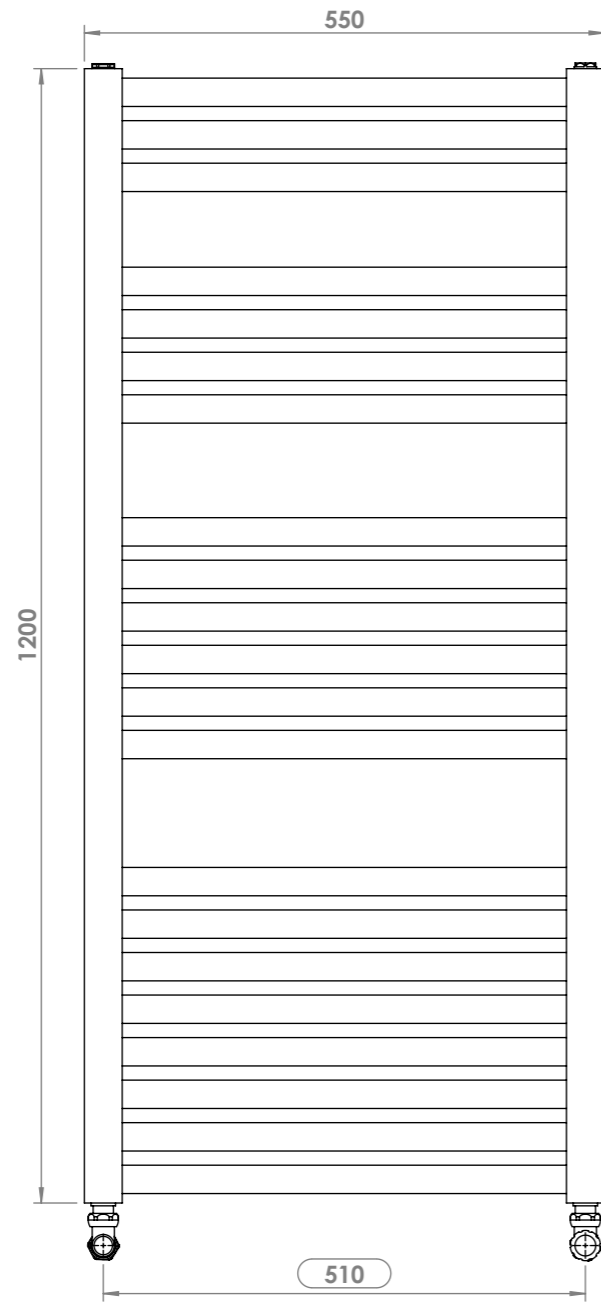


## Fitting Position:

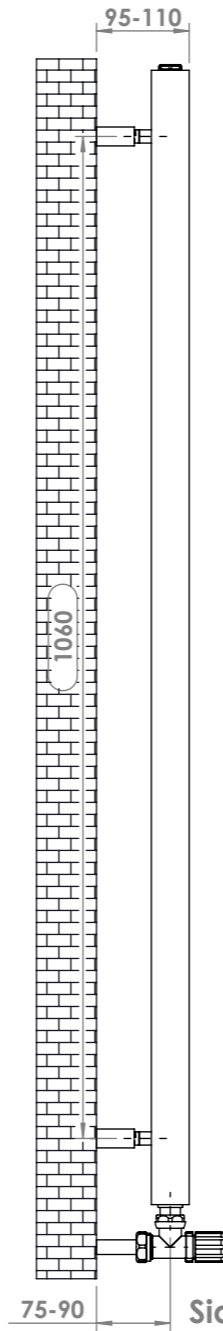


All Dimension are in mm  
 Max.Working Pressure = 10 Bar  
 Max.Working Temperature=95° C  
 Inlet / Outlet : 1/2" BSP

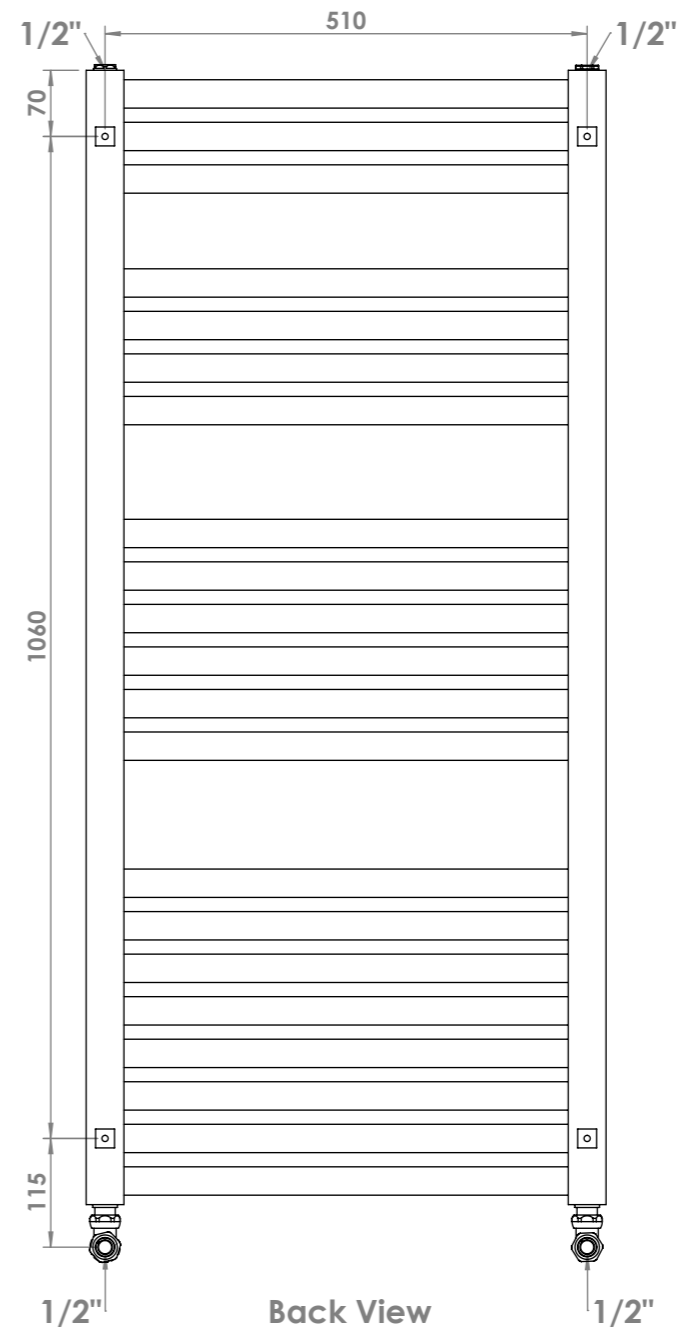
# SERIF 5S12



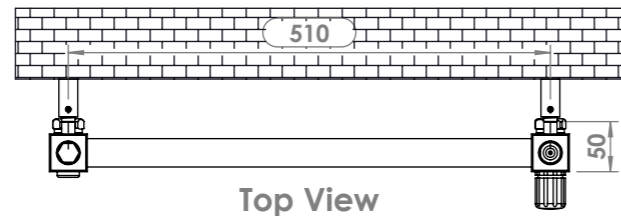
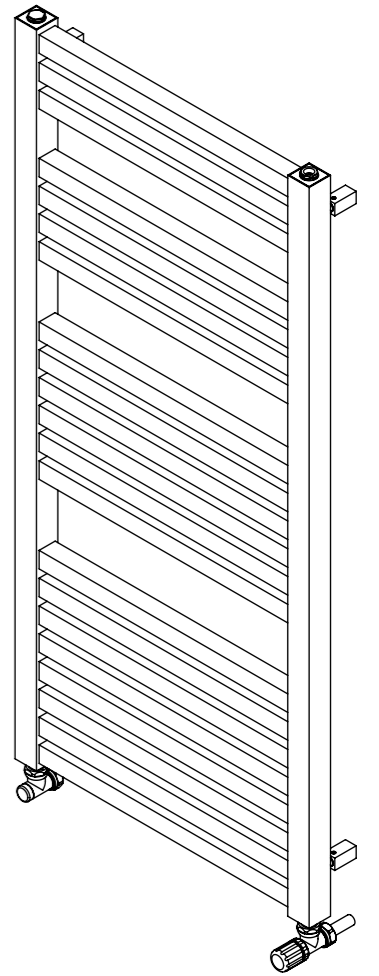
Front View



Side View


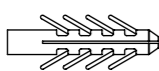

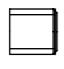




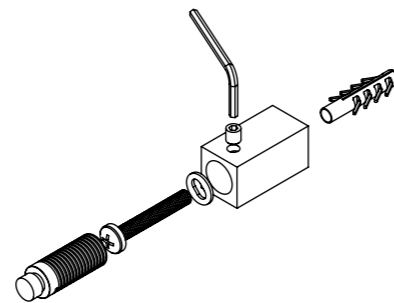
Back View



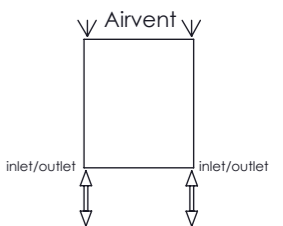
Top View

## Installation Accesories:

- |                                                                                     |    |                                                                                     |    |
|-------------------------------------------------------------------------------------|----|-------------------------------------------------------------------------------------|----|
|  | x4 |  | x4 |
|  | x4 |  | x4 |
|  | x4 |  | x1 |

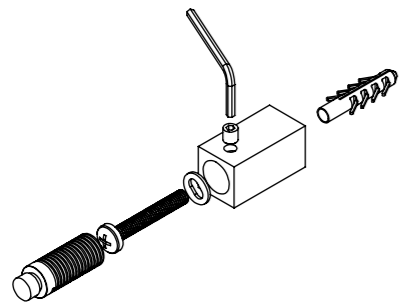
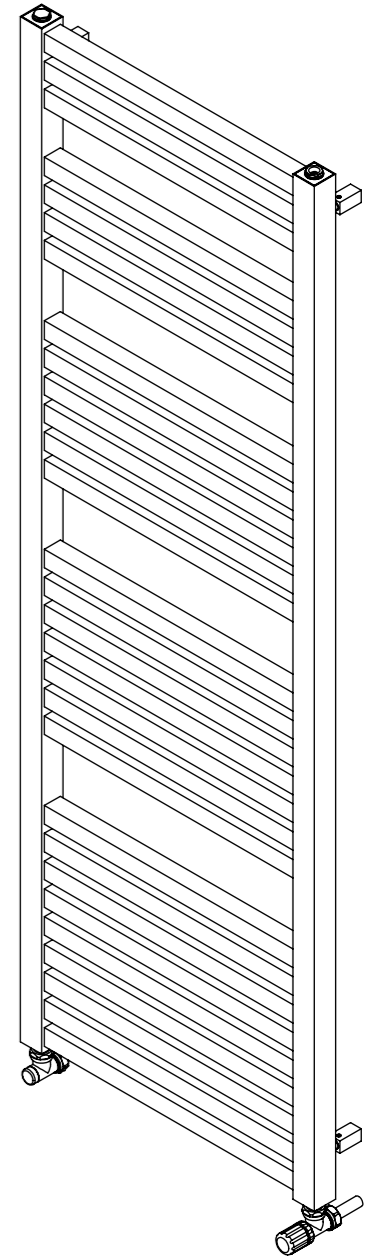
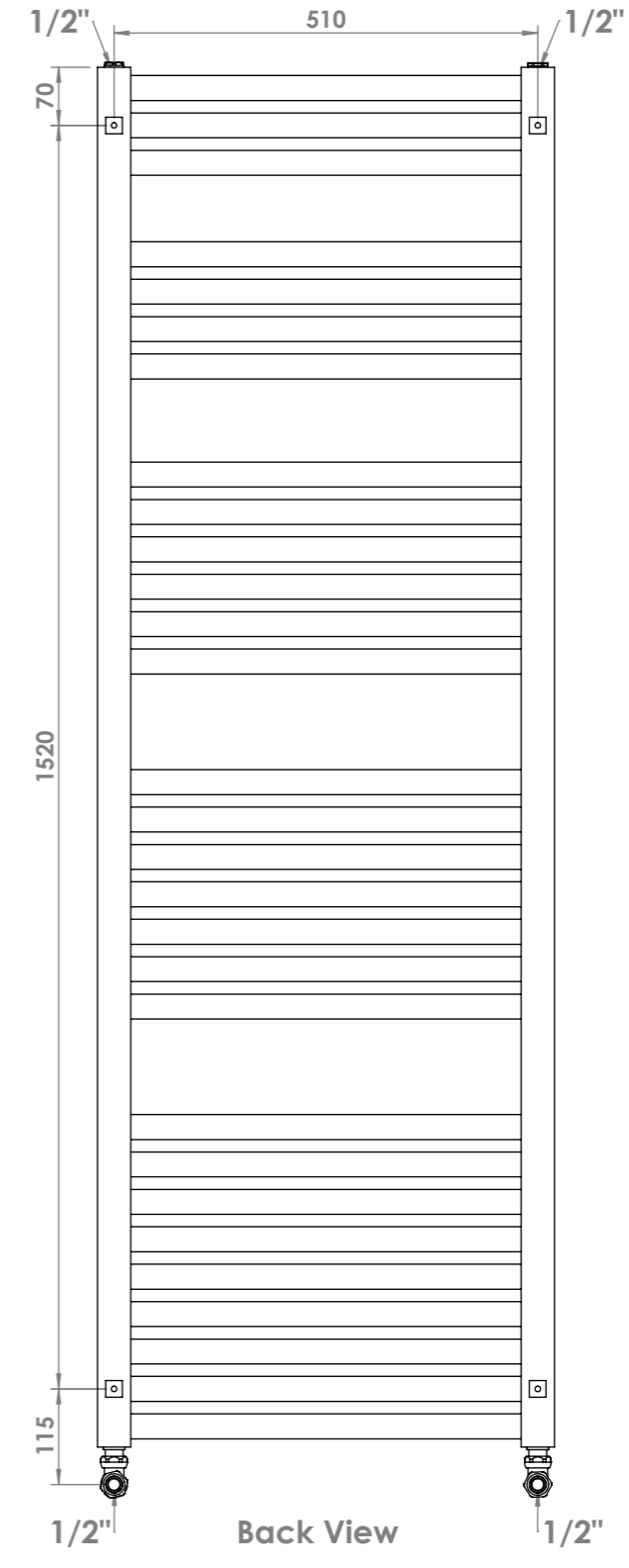
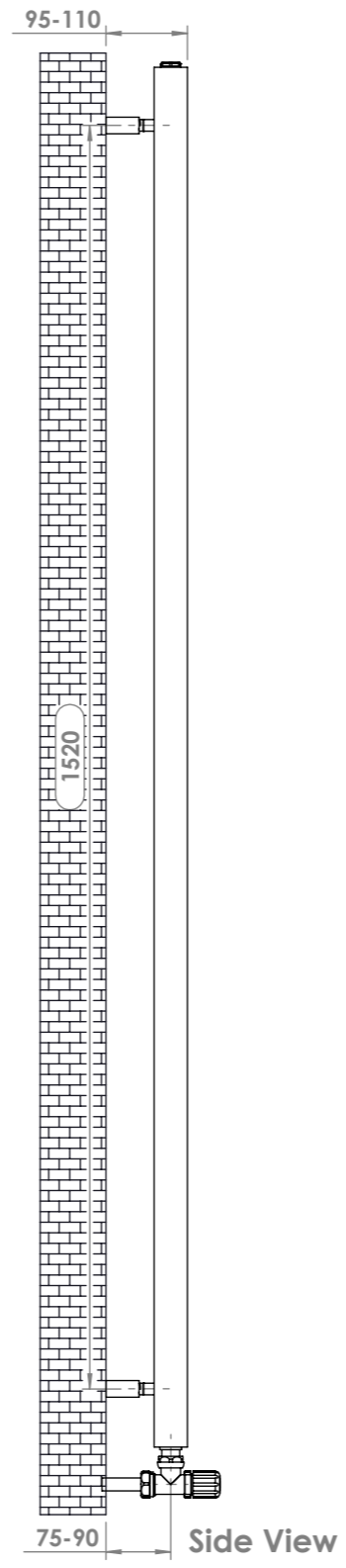
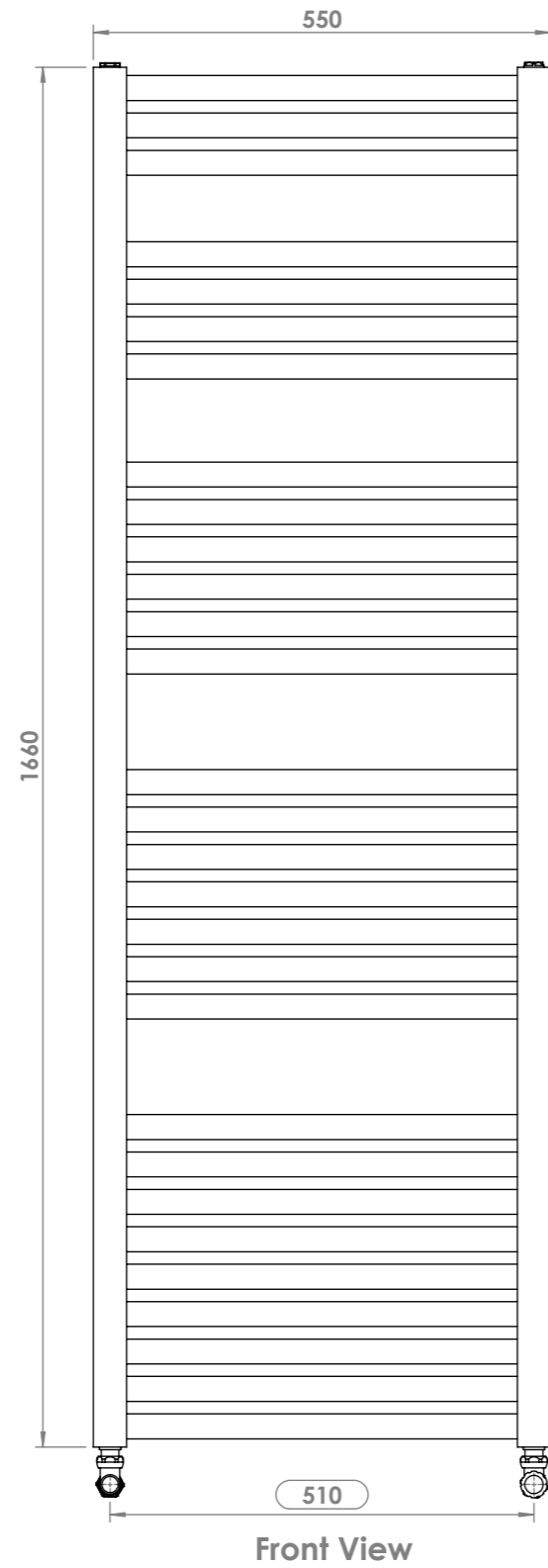


## Fitting Position:




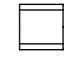




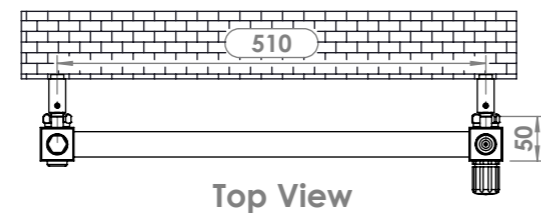
All Dimension are in mm  
 Max.Working Pressure = 10 Bar  
 Max.Working Temperature=95° C  
 Inlet / Outlet : 1/2" BSP

# SERIF 5S17

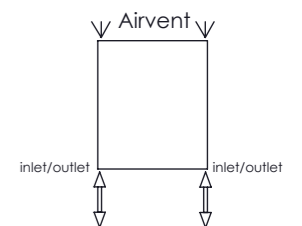


## Installation Accesories:

- |                                                                                     |    |                                                                                     |    |
|-------------------------------------------------------------------------------------|----|-------------------------------------------------------------------------------------|----|
|  | x4 |  | x4 |
|  | x4 |  | x4 |
|  | x4 |  | x1 |



## Fitting Position:



All Dimension are in mm  
 Max.Working Pressure = 10 Bar  
 Max.Working Temperature=95° C  
 Inlet / Outlet : 1/2" BSP