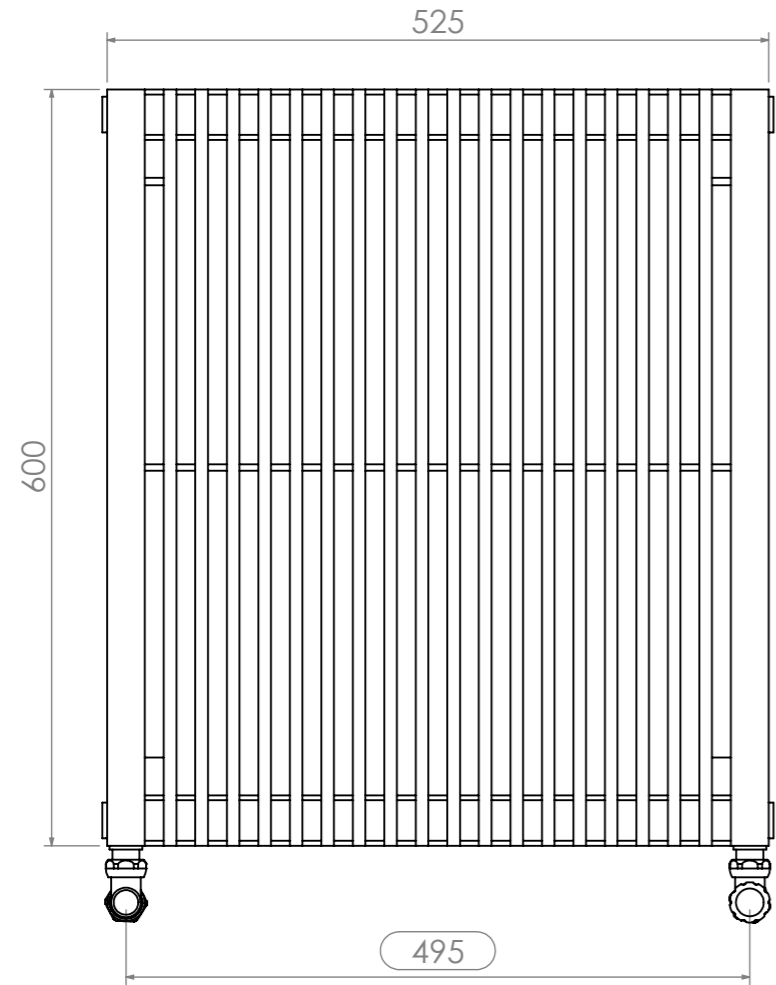
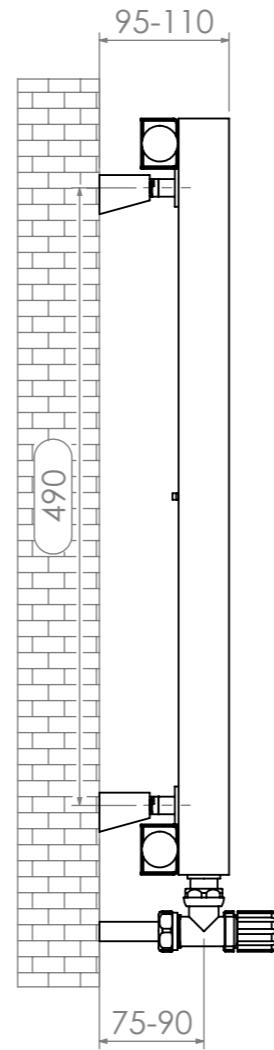


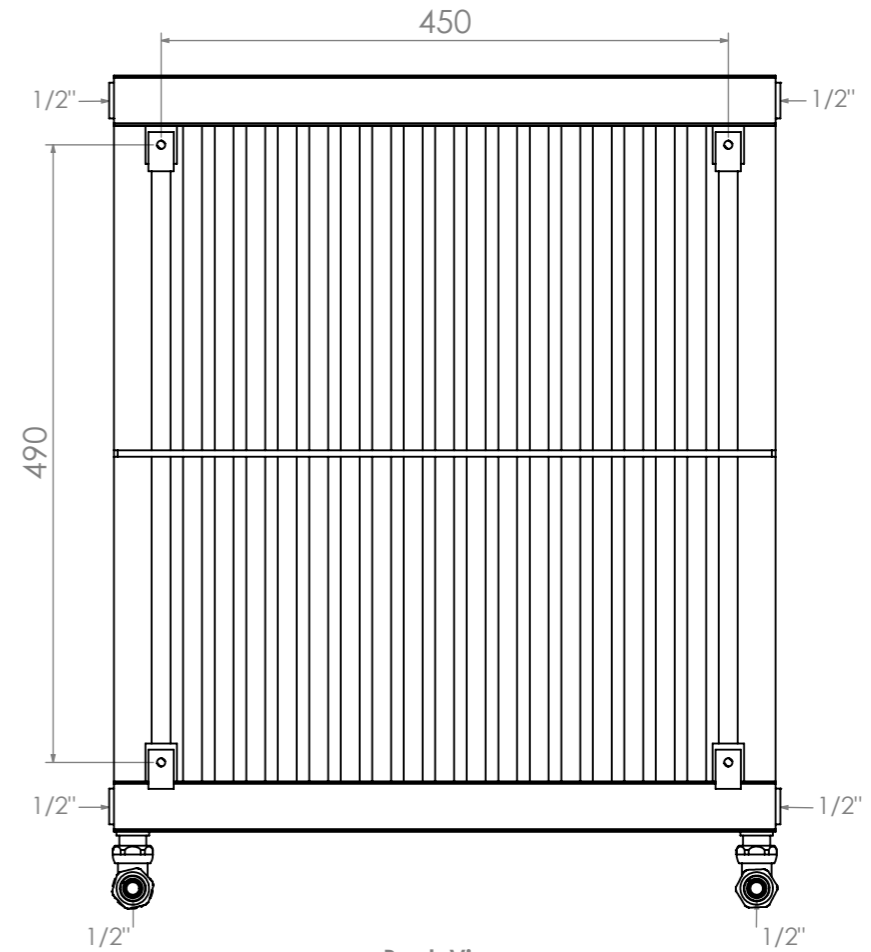
Stria 620



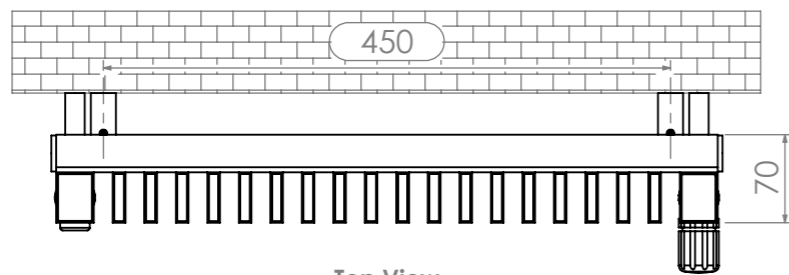
Front View



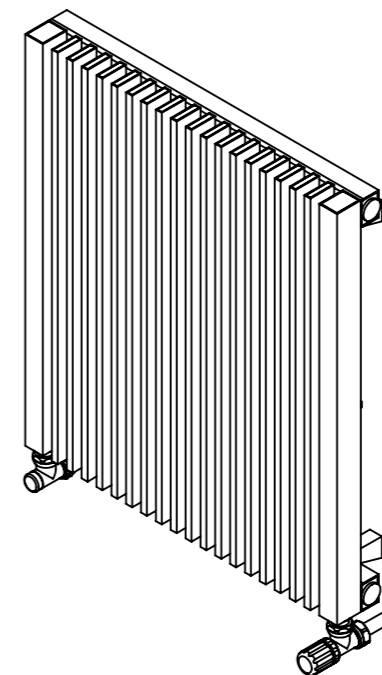
Side View



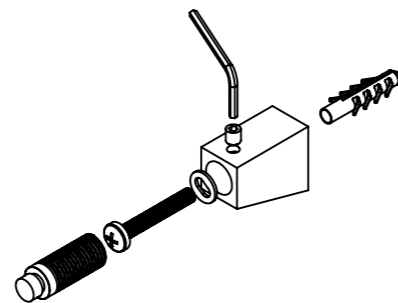
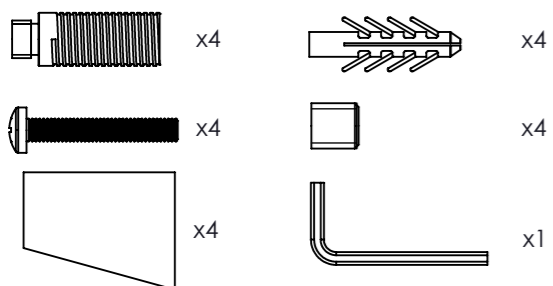
Back View



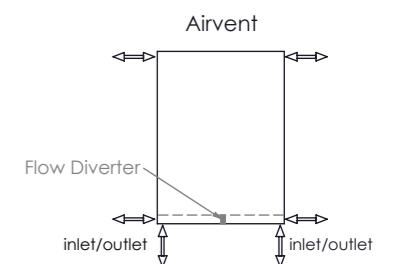
Top View



Installation Accessories:



Plumbing Position:



Vertical Mount
 All Dimensions are in mm
 Max. Working Pressure: 10 Bar
 Max. Working Temperature: 95° C
 Inlet / Outlet : 1/2" BSP
 Fuel : E/H/D