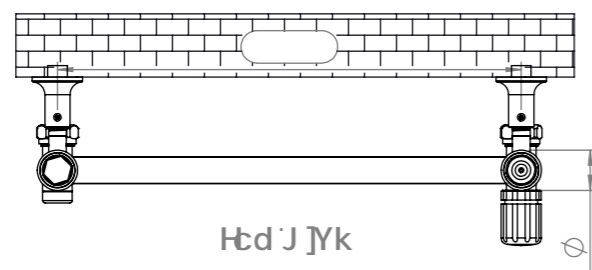
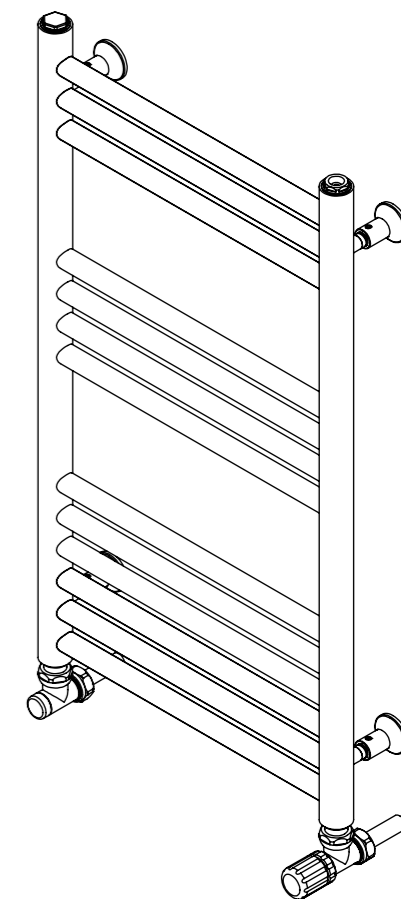
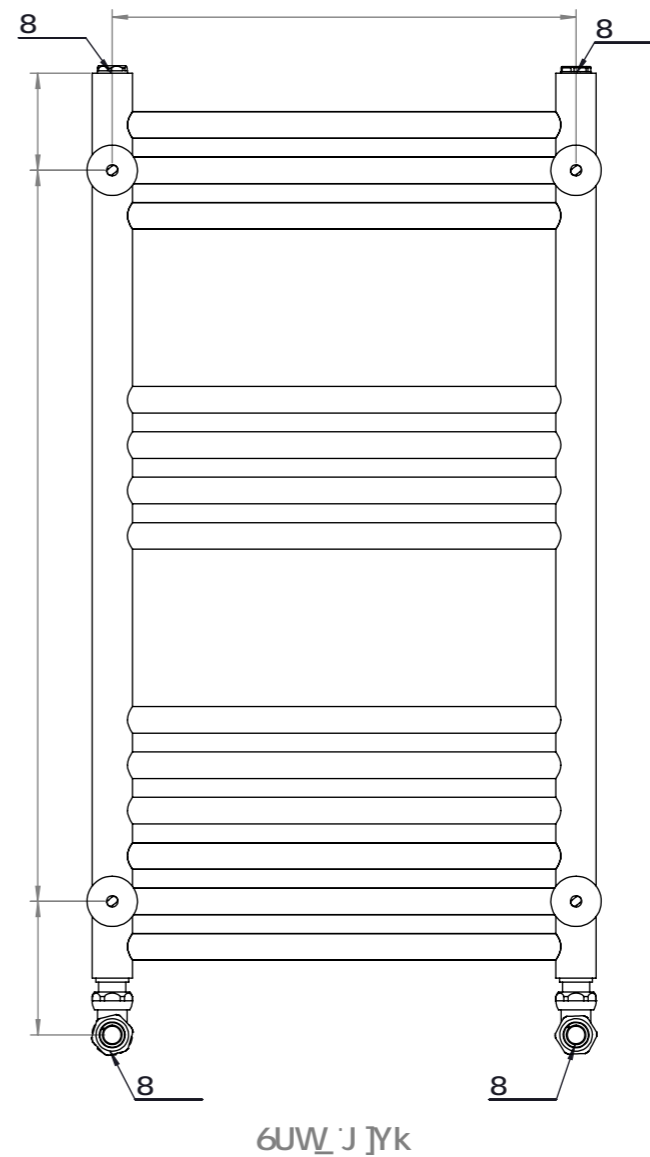
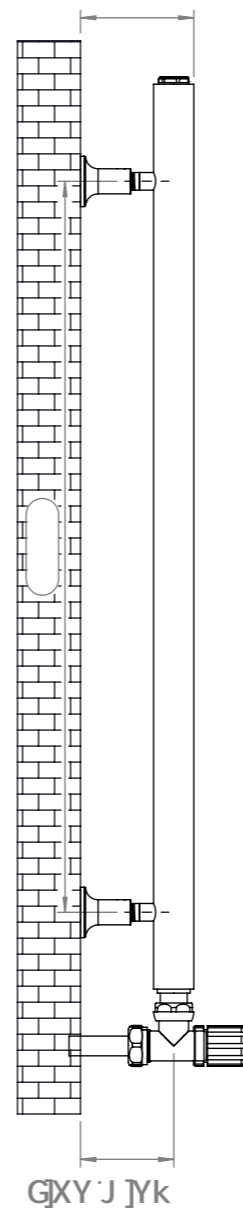
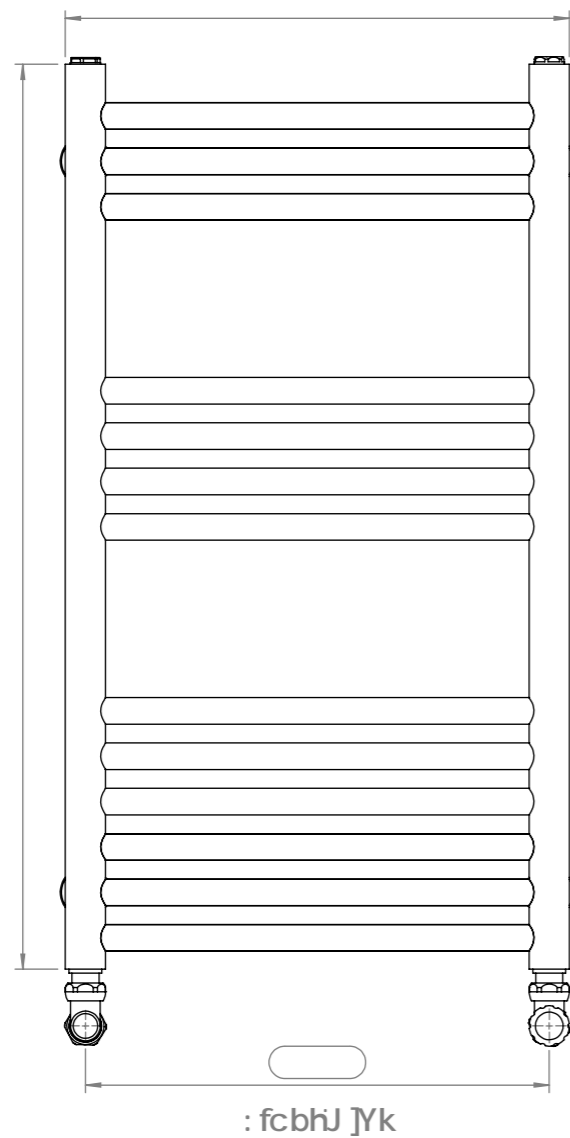
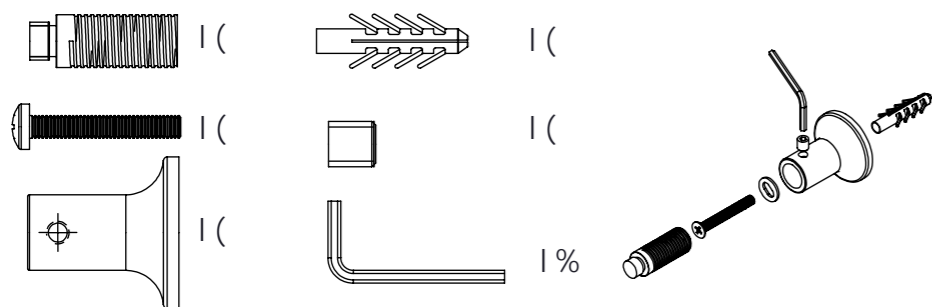


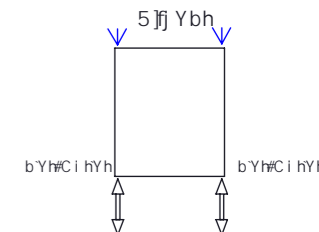
HCF 5 (\$+!&



kgU~UHcb'5WVgc fJYg'

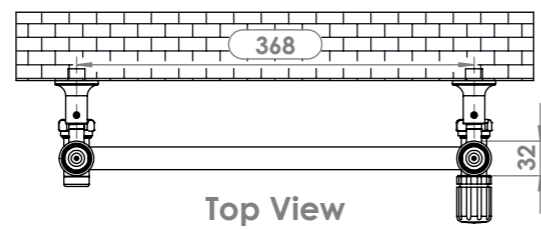
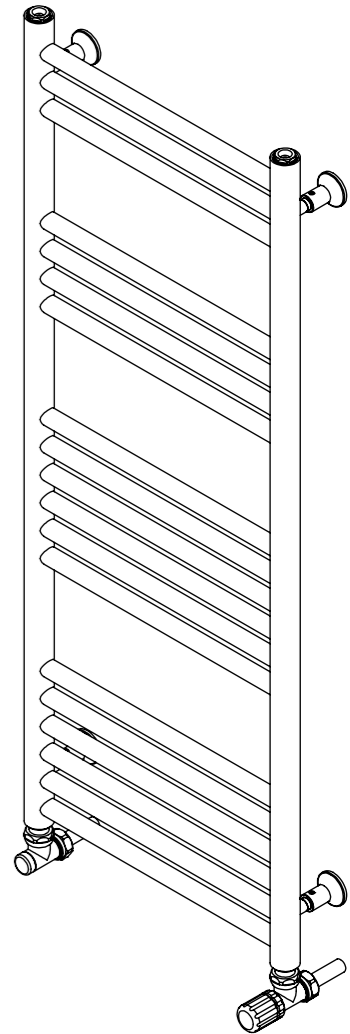
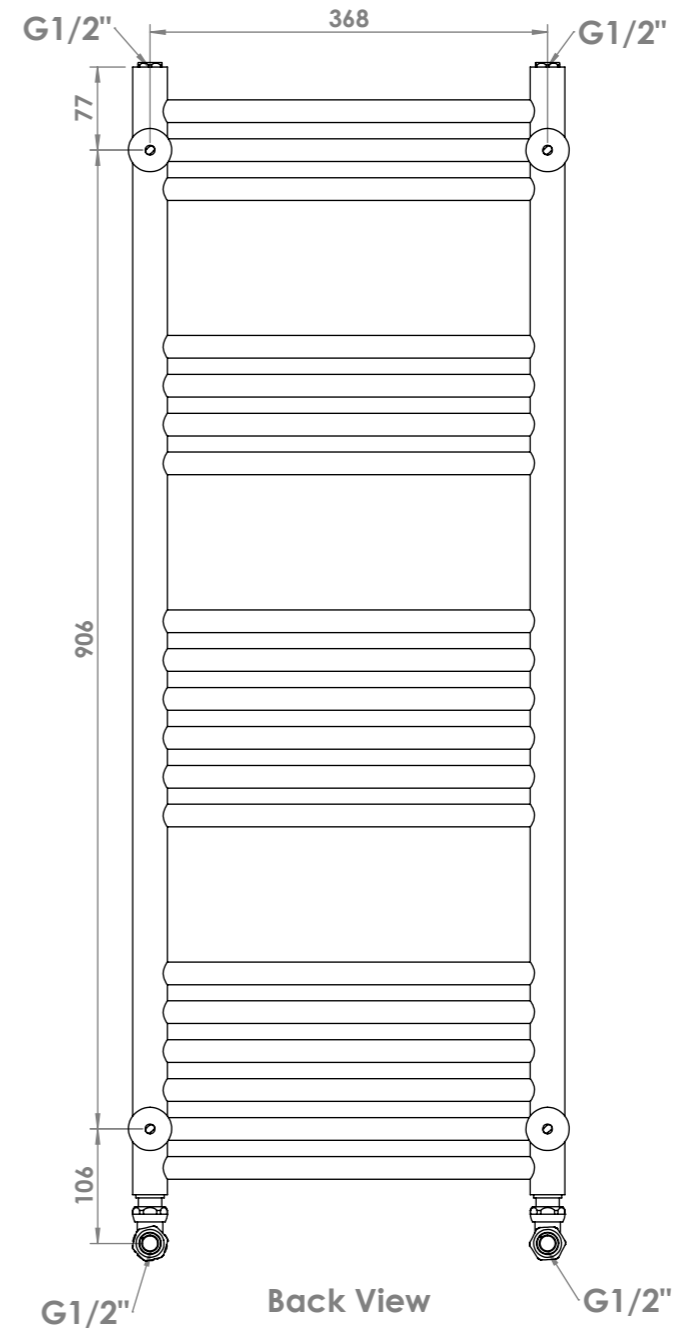
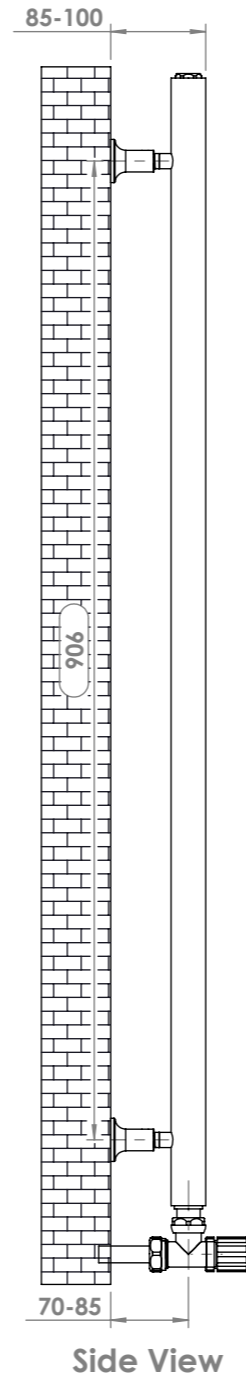
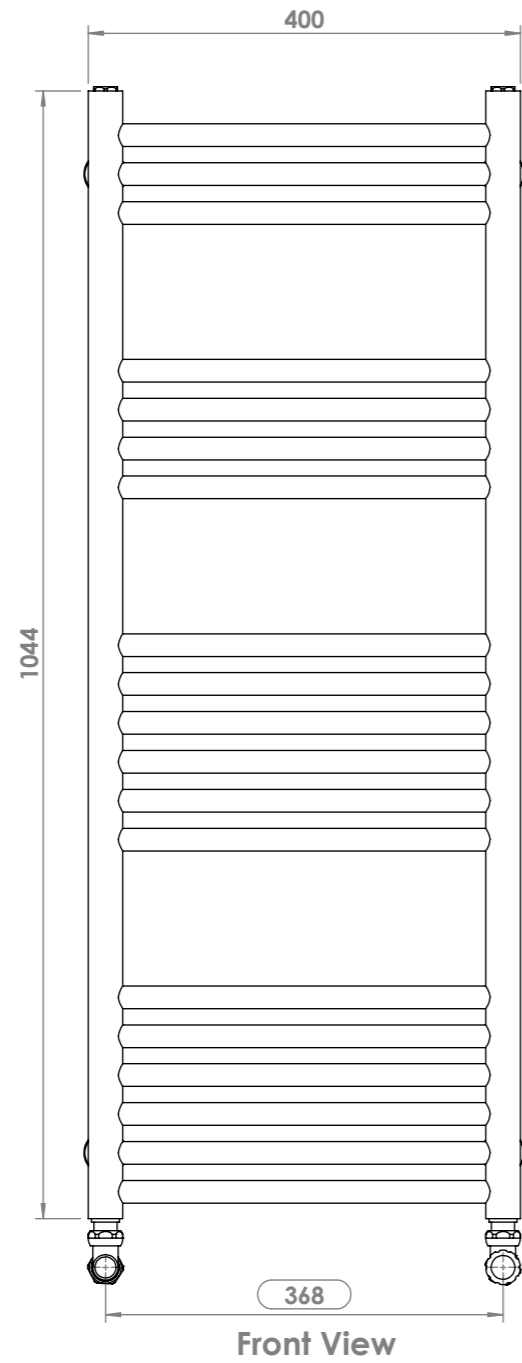


: Jhb [Dcg]hcb.

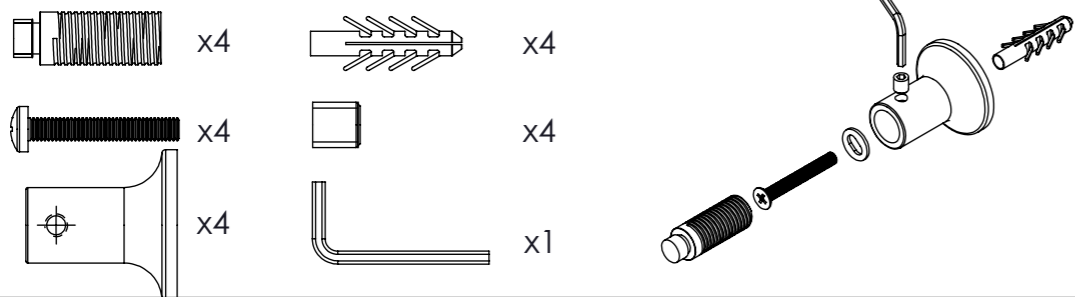


Qh/Aa ^} • a } Ac^/a A {
 T æÉY [\ä * AU!^•• \^AMF€Oæ
 T æÉY [\ä * A/\] \æ \^MUJ »O
 Q \^AU q^AMF€YUU

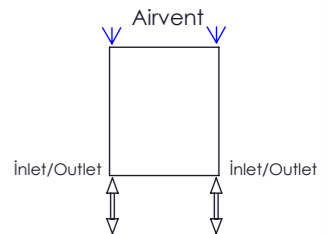
TORA 410-3



Installation Accessories:

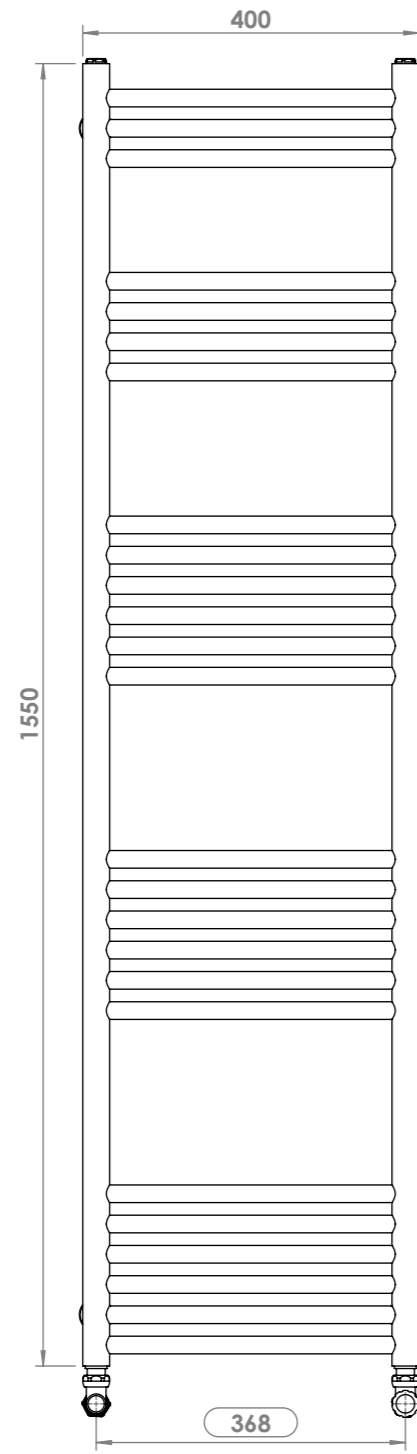


Fitting Position:

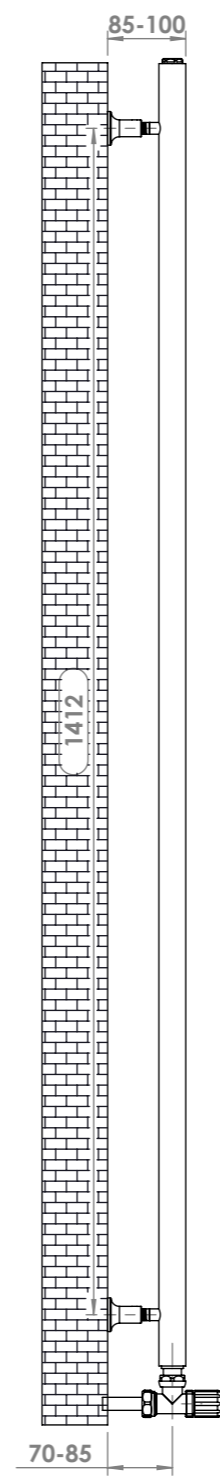


All Dimension are in mm
 Max.Working Pressure = 10 Bar
 Max.Working Temperature=95° C
 Inlet / Outlet : 1/2" BSP

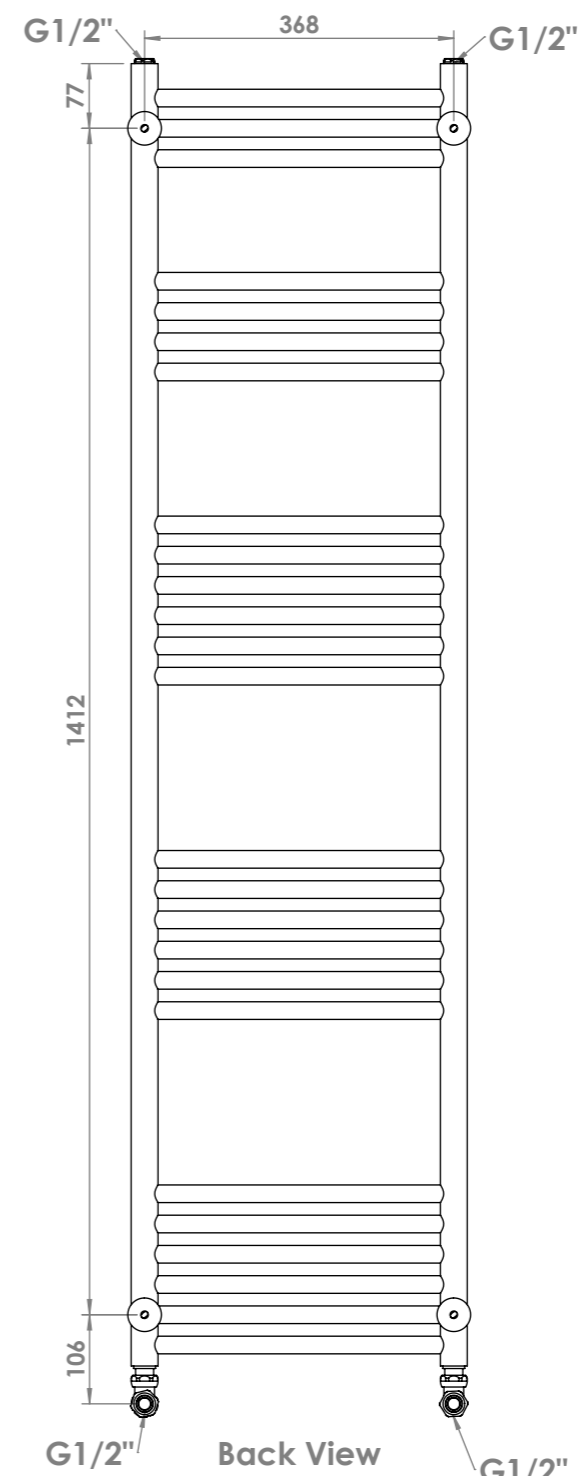
TORA 415-4



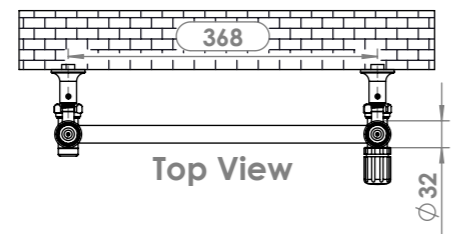
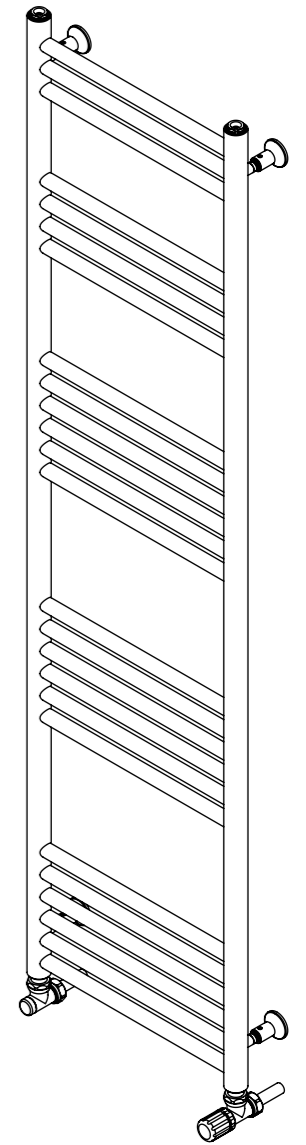
Front View



Side View

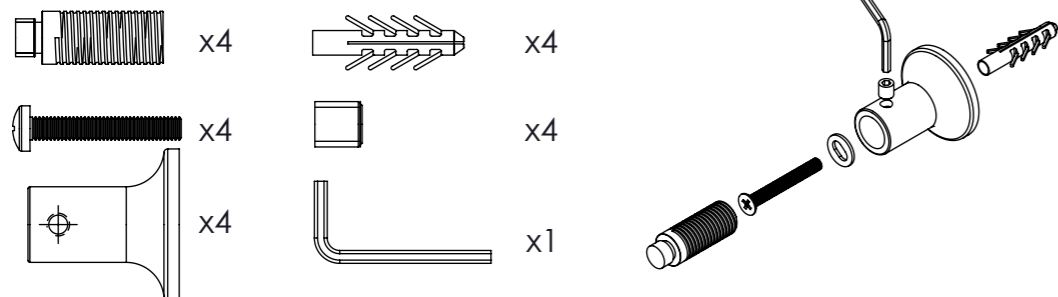


Back View

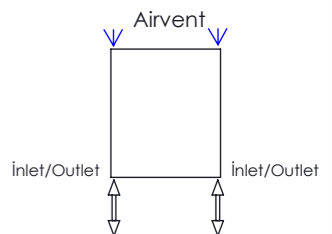


Top View

Installation Accesories:

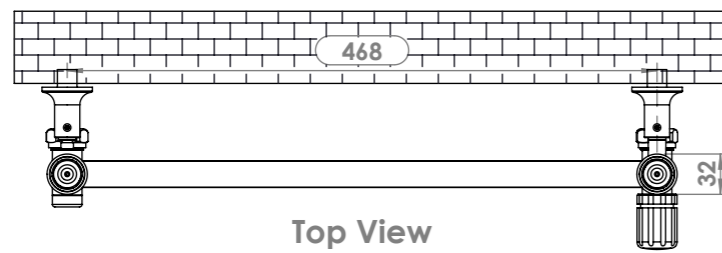
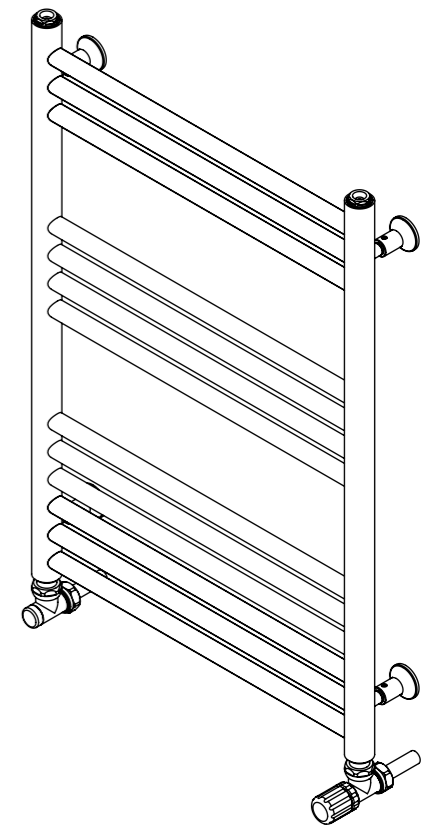
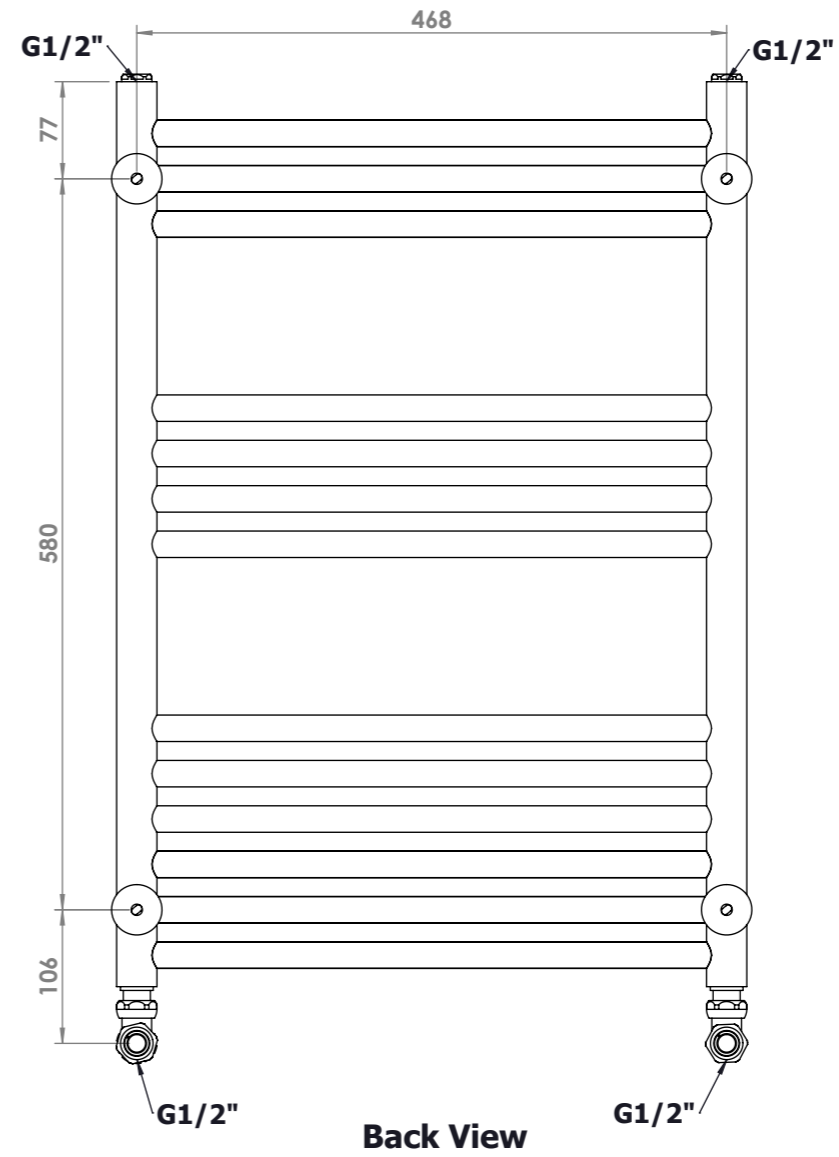
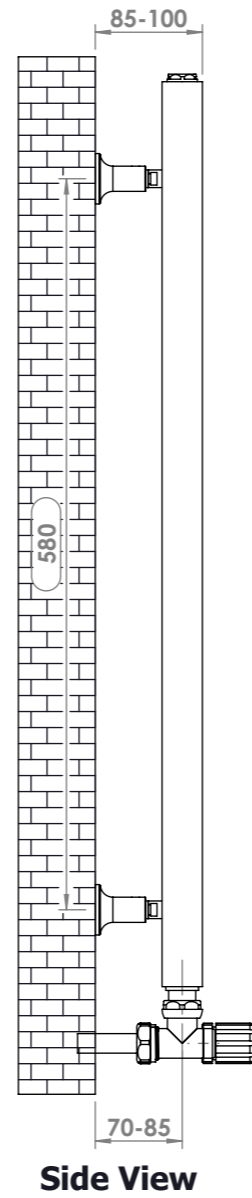
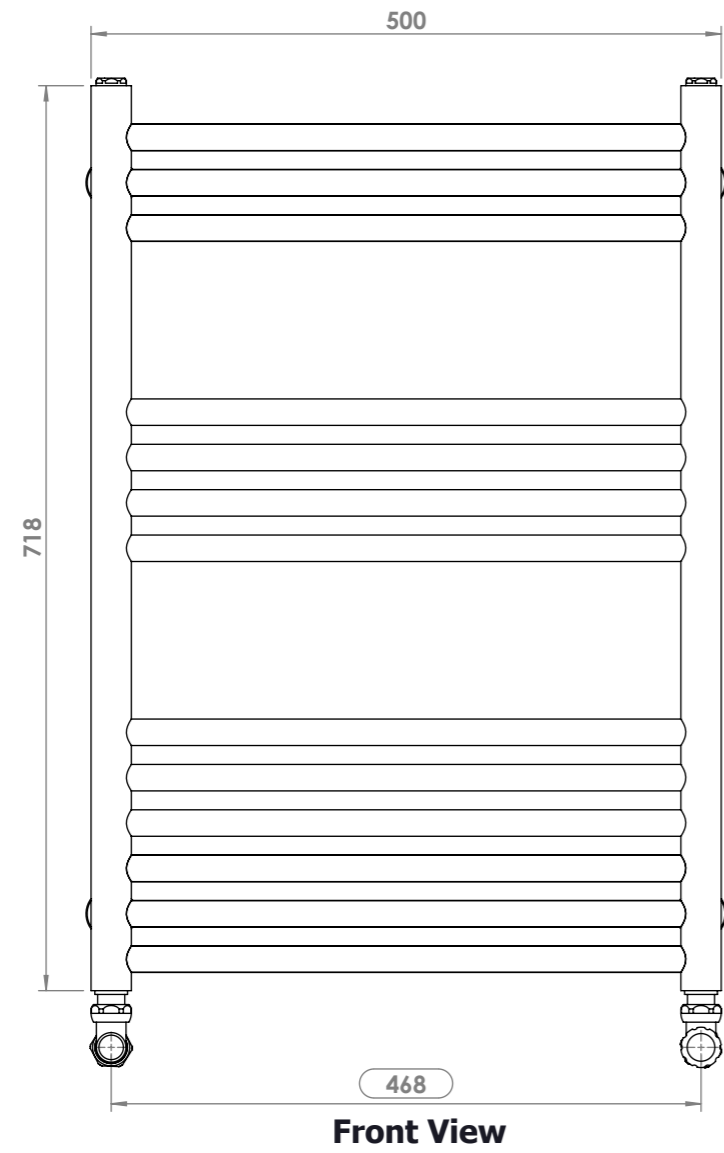


Fitting Position:

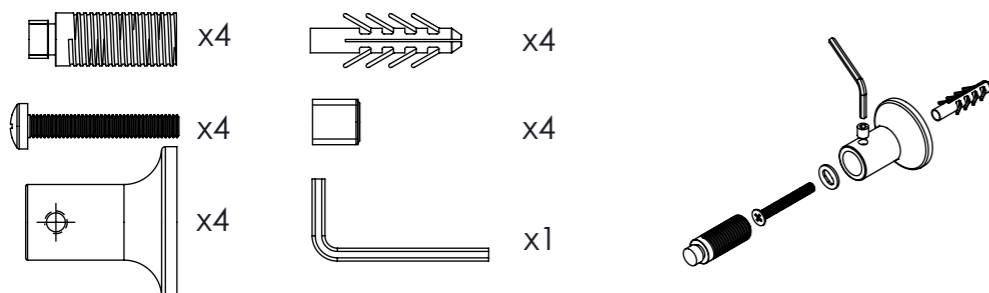


All Dimension are in mm
 Max.Working Pressure = 10 Bar
 Max.Working Temperature=95° C
 Inlet / Outlet : 1/2" BSP

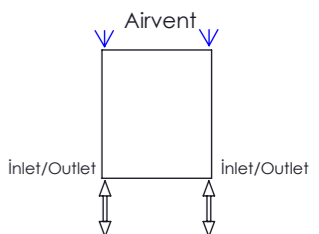
TORA 507-2



Installation Accessories:

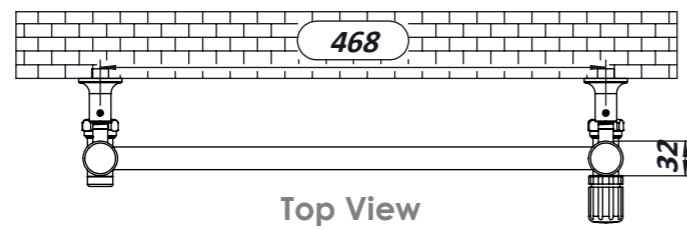
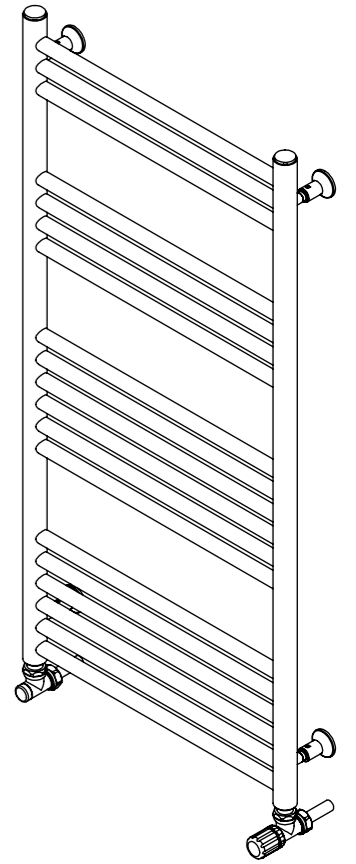
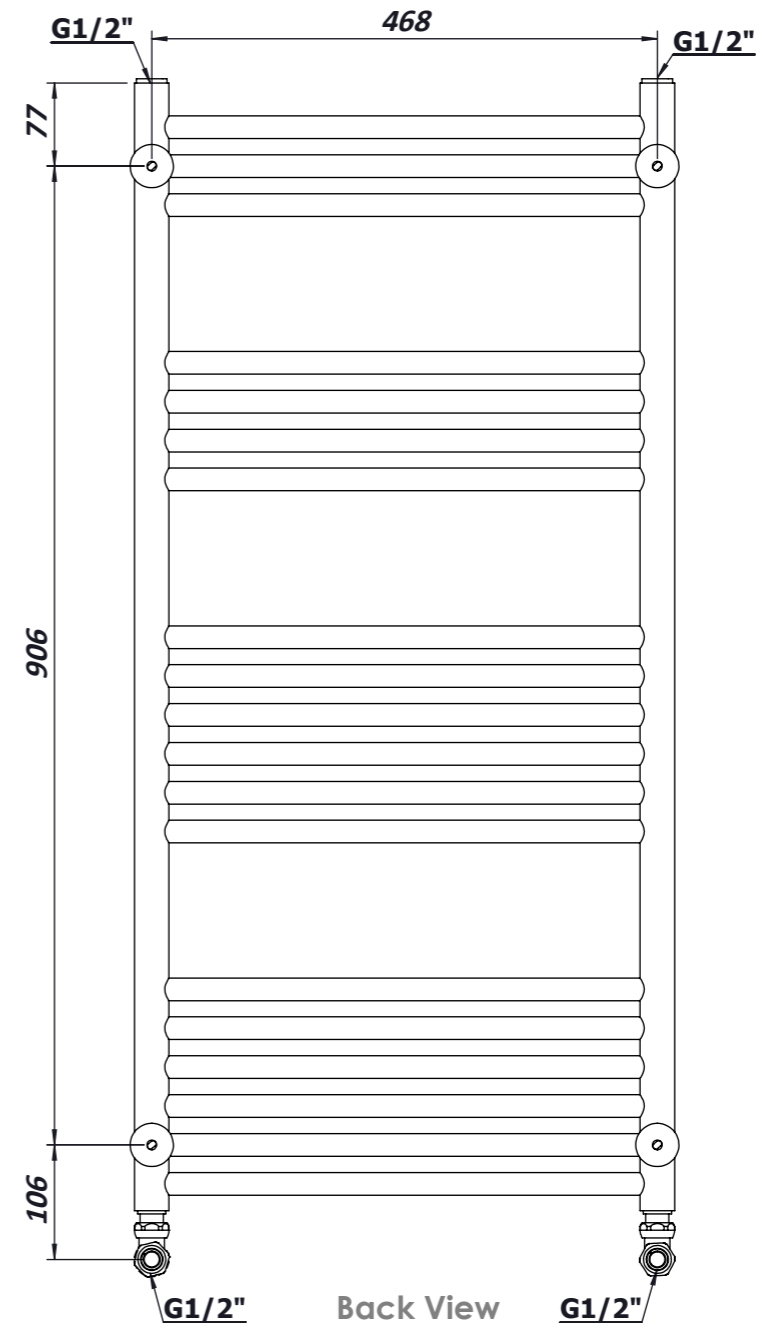
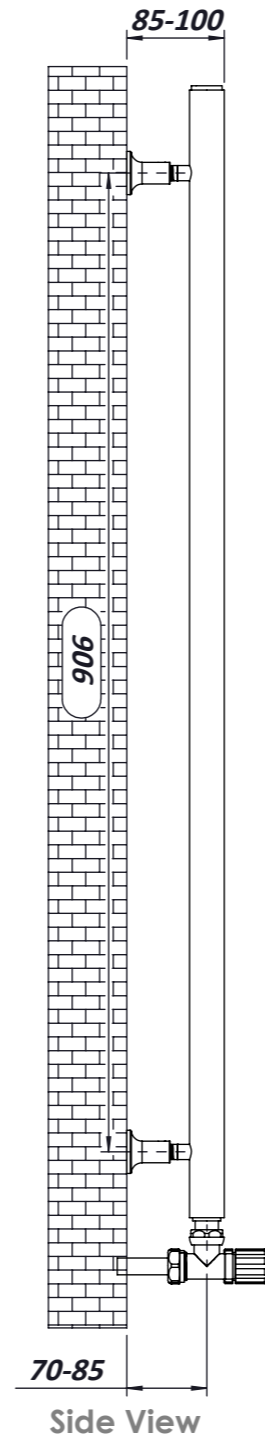
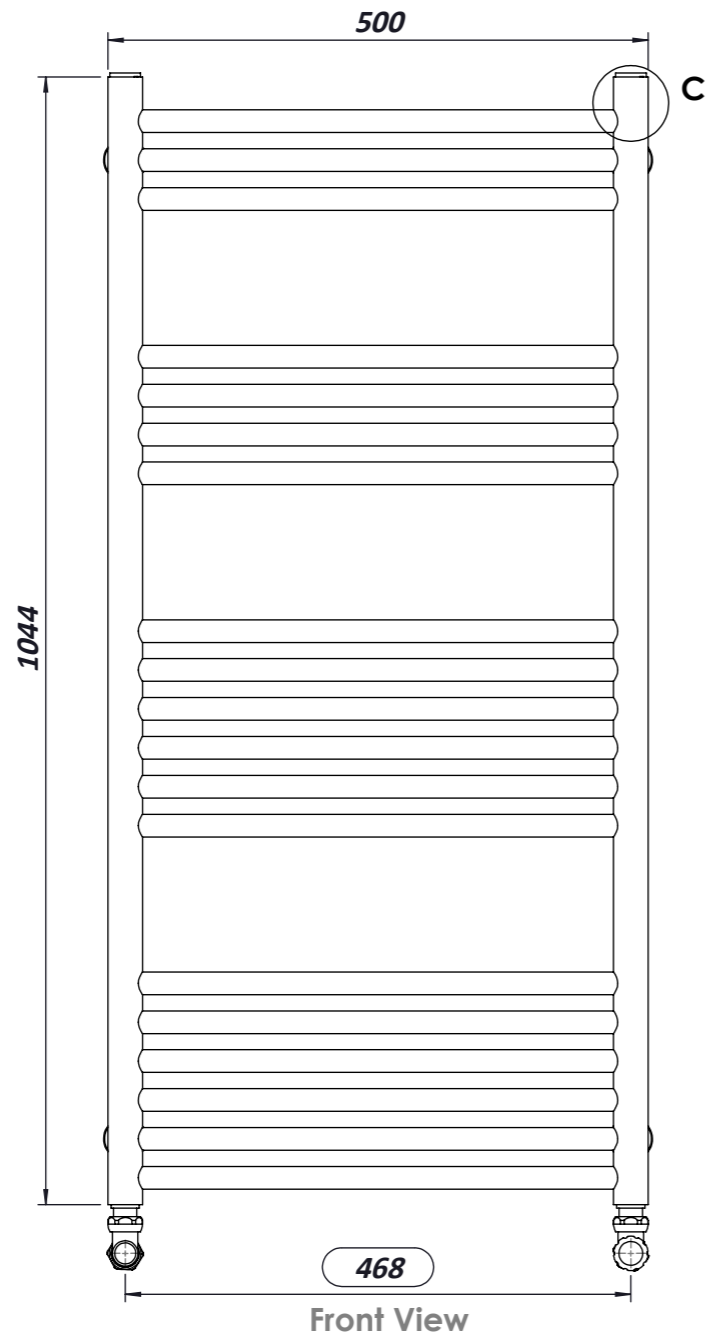


Fitting Position:

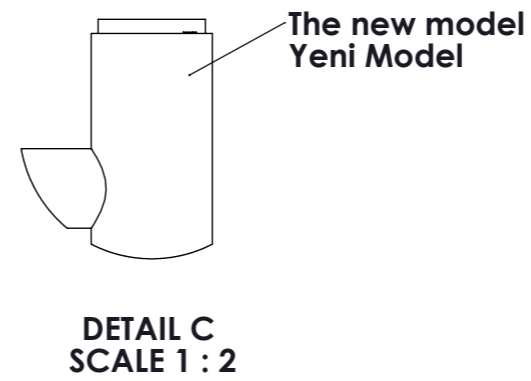
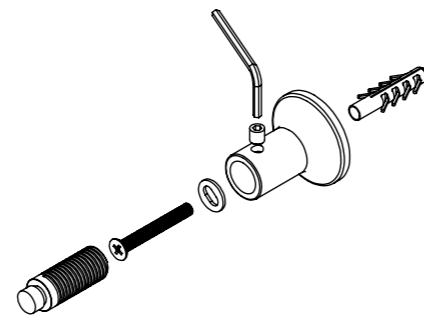
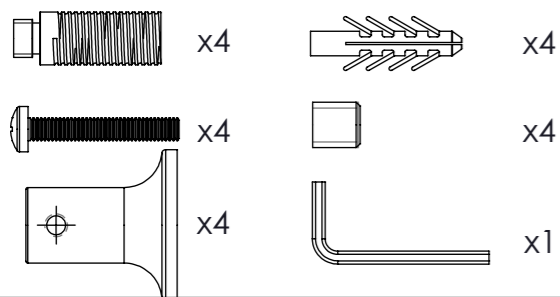


All Dimension are in mm
 Max.Working Pressure = 10 Bar
 Max.Working Temperature=95° C
 Inlet / Outlet : 1/2" BSP

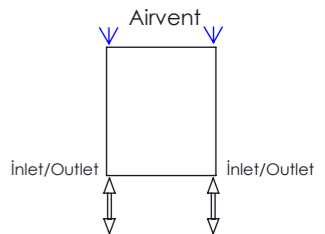
TORA 510-3



Installation Accesories:

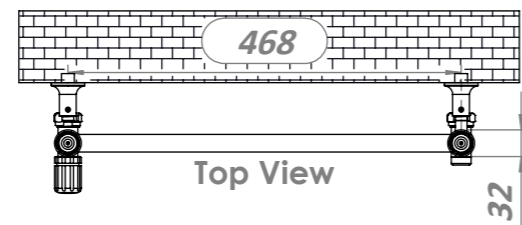
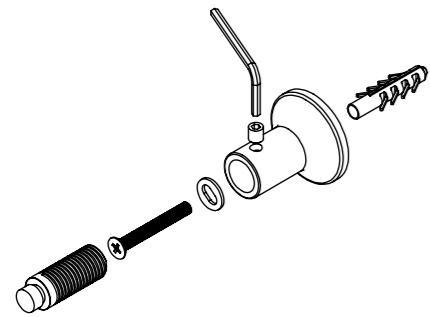
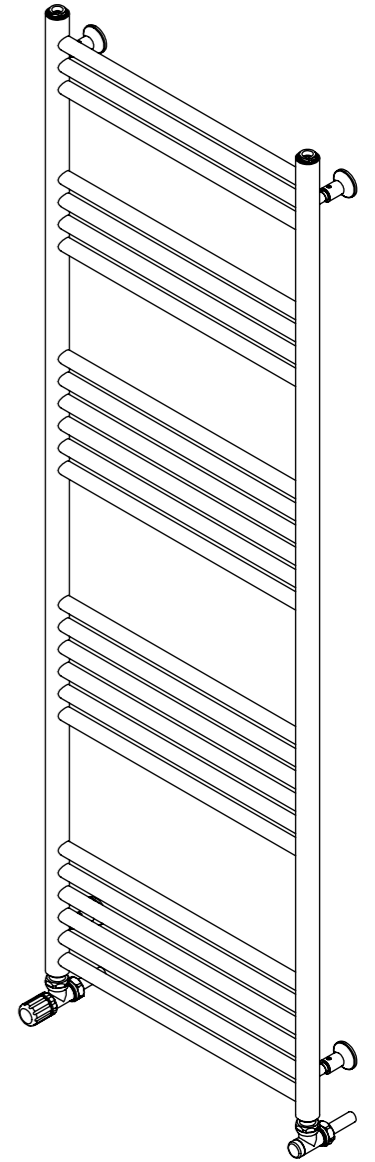
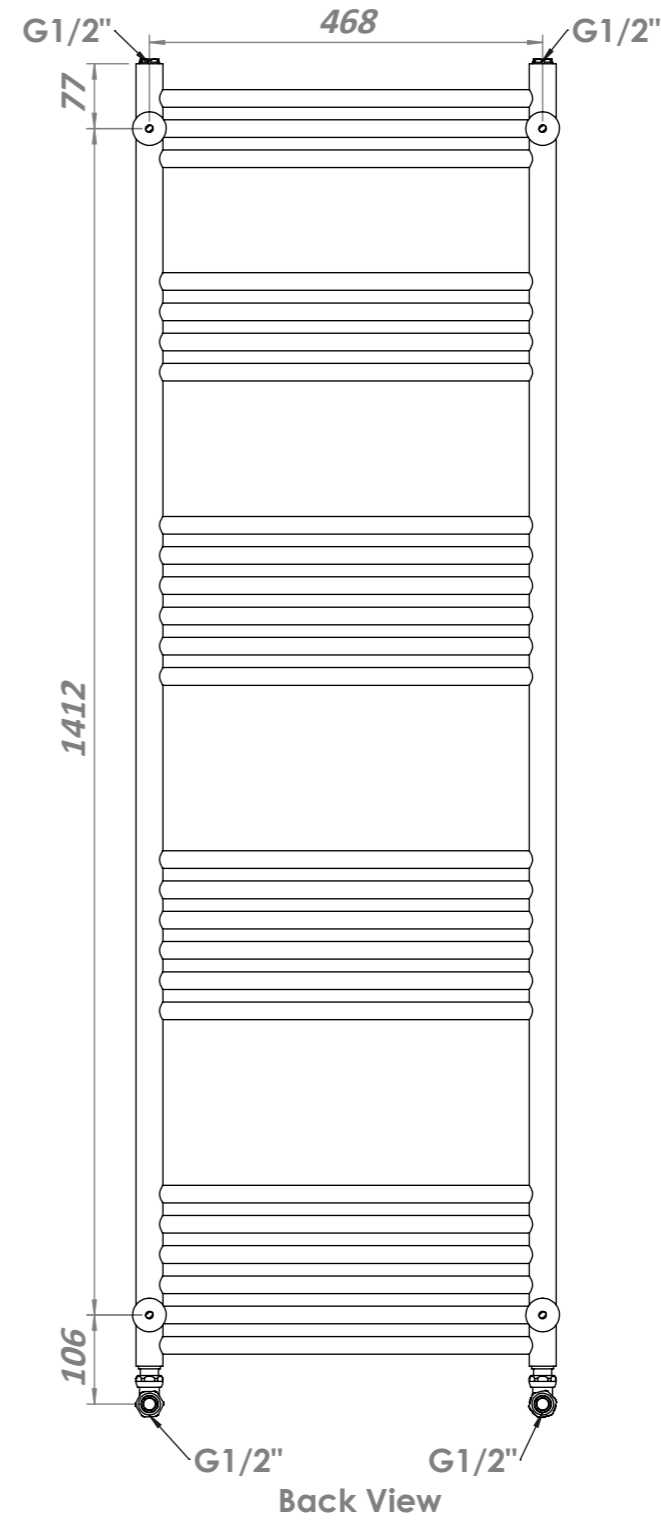
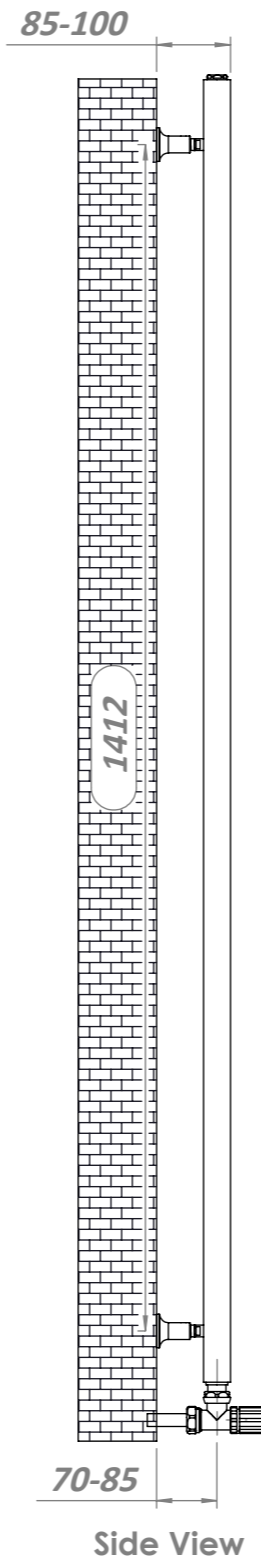
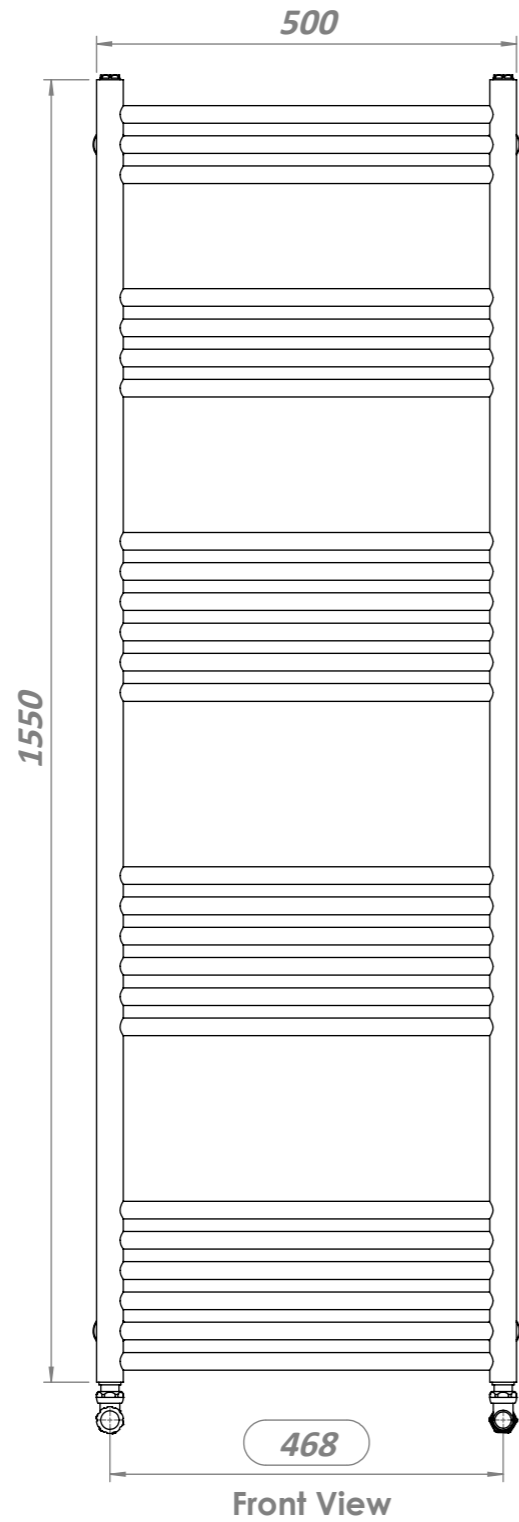


Fitting Position:




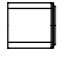
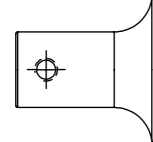



All Dimension are in mm
 Max.Working Pressure = 10 Bar
 Max.Working Temperature=95° C
 Inlet / Outlet : 1/2" BSP

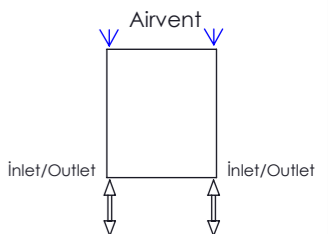
TORA 515-4



Installation Accesories:

- | | | | |
|---|----|---|----|
|  | x4 |  | x4 |
|  | x4 |  | x4 |
|  | x4 |  | x1 |

Fitting Position:



All Dimension are in mm
 Max.Working Pressure = 10 Bar
 Max.Working Temperature=95° C
 Inlet / Outlet : 1/2" BSP