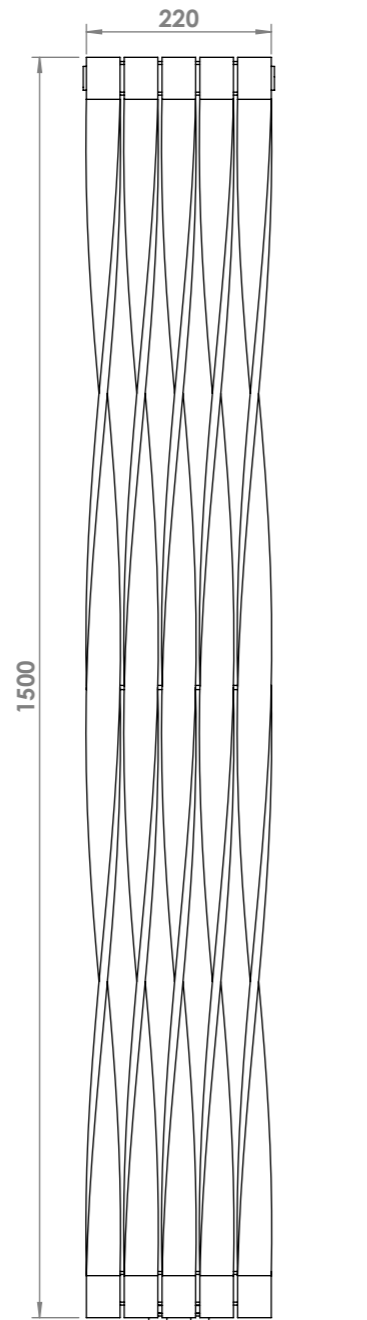
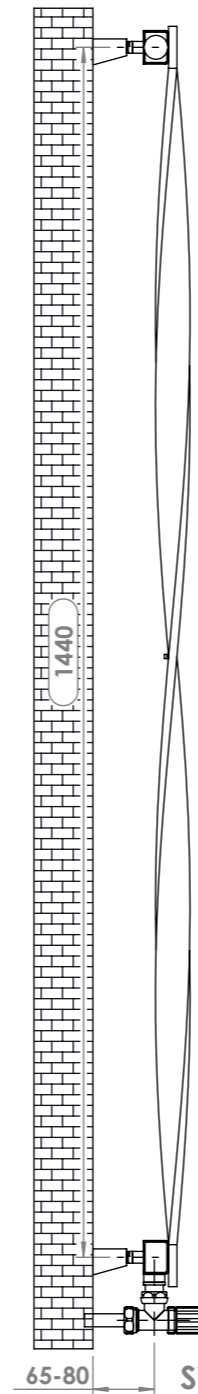


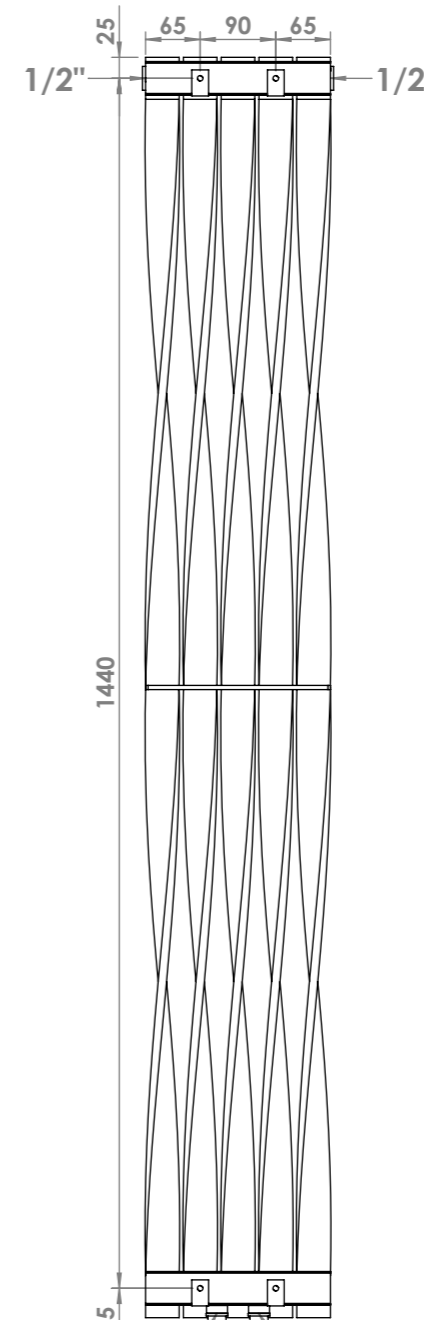
# Twister 1505\_z360°



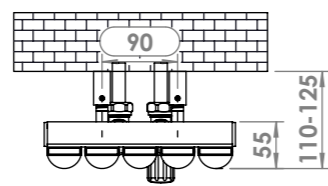
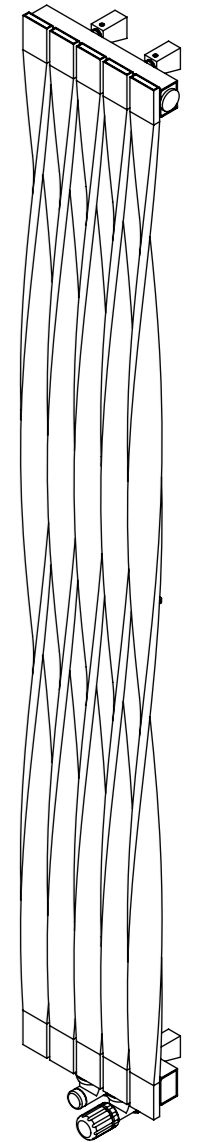
Front View



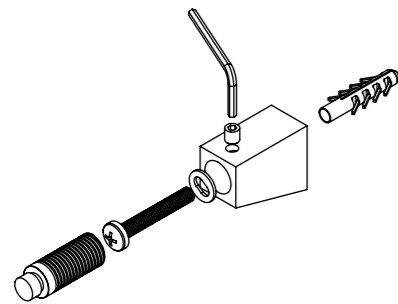
Side View






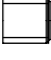
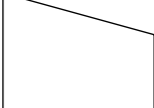

Back View



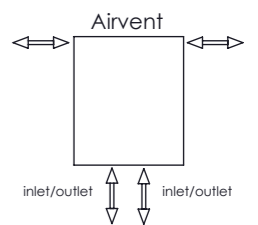
Top View



**Installation Accesories:**

- |   |    |   |    |
|---|----|---|----|
|  | x4 |  | x4 |
|  | x4 |  | x4 |
|  | x4 |  | x1 |

**Fitting Position:**



All Dimension are in mm  
 Max.Working Pressure = 10 Bar  
 Max.Working Temperature=95° C  
 Inlet / Outlet : 1/2" BSP