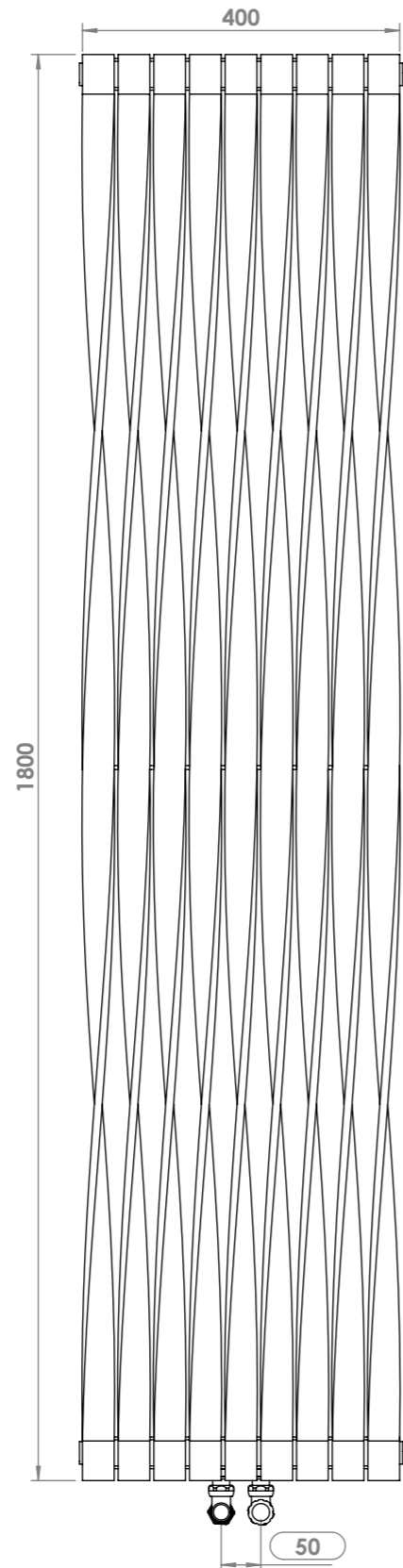
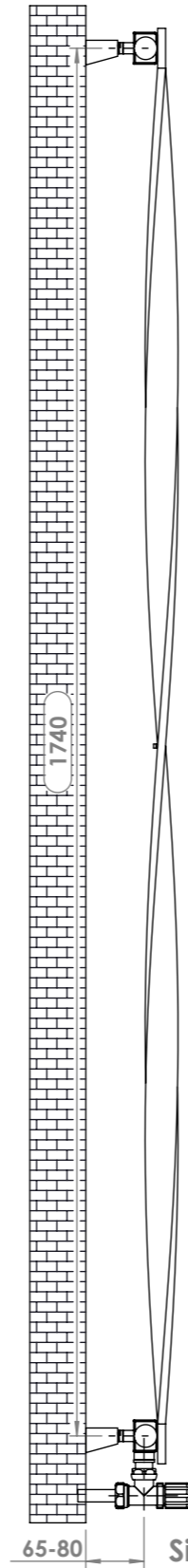


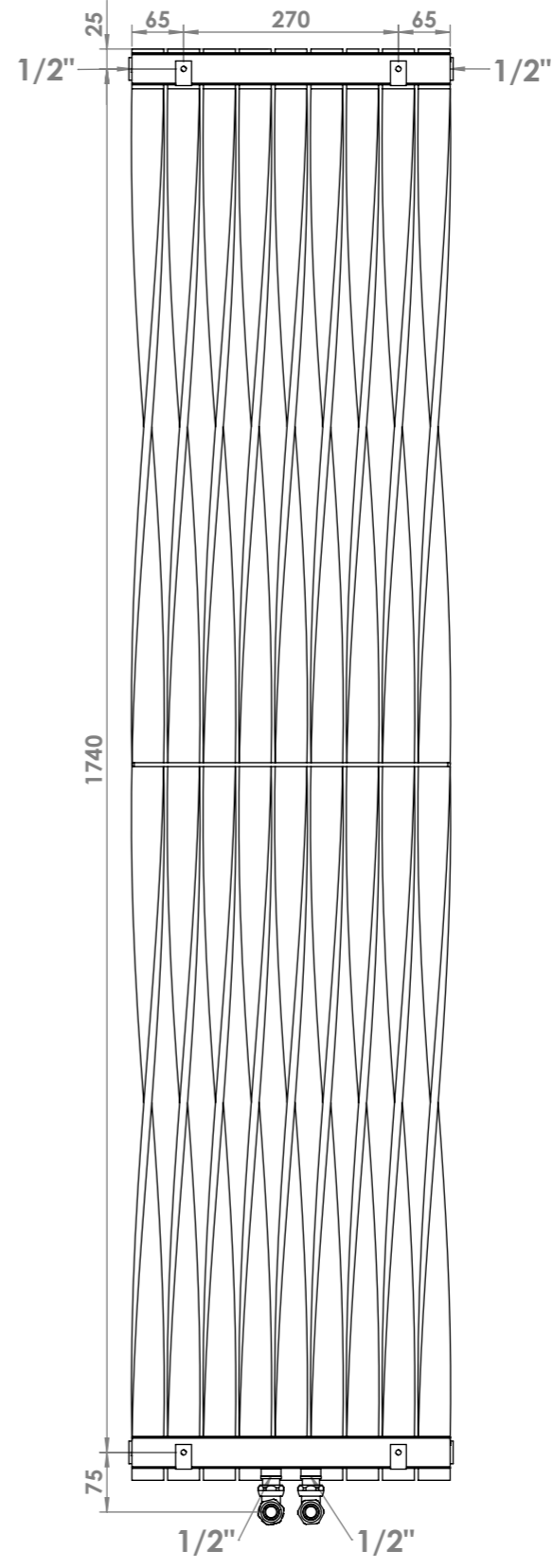
Twister 1809_z360°



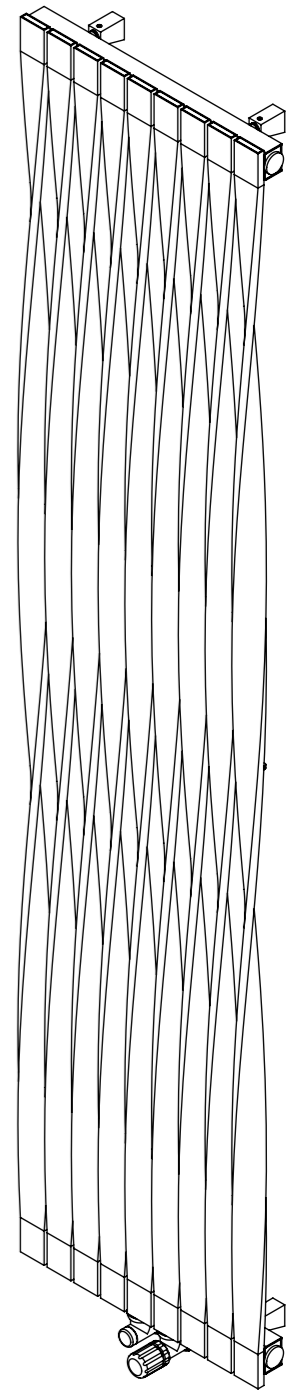
Front View



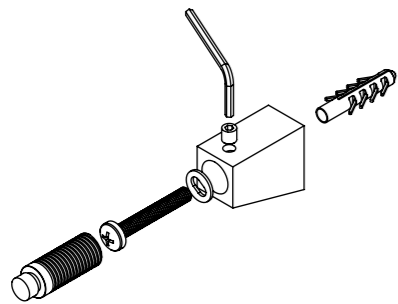
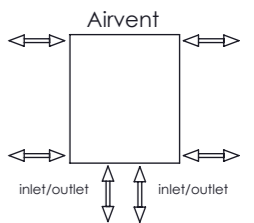
Side View






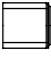


Back View

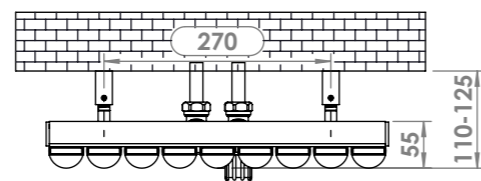


Fitting Position:



Installation Accesories:

-  x4
-  x4
-  x4
-  x4
-  x4
-  x1



Top View

All Dimension are in mm
 Max.Working Pressure = 10 Bar
 Max.Working Temperature=95° C
 Inlet / Outlet : 1/2" BSP