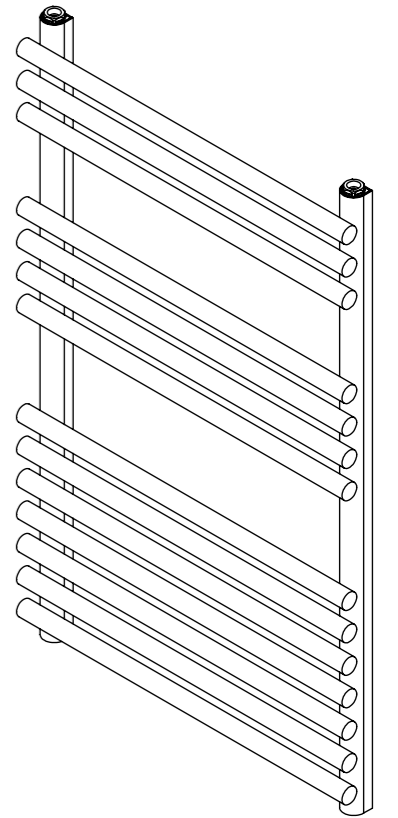
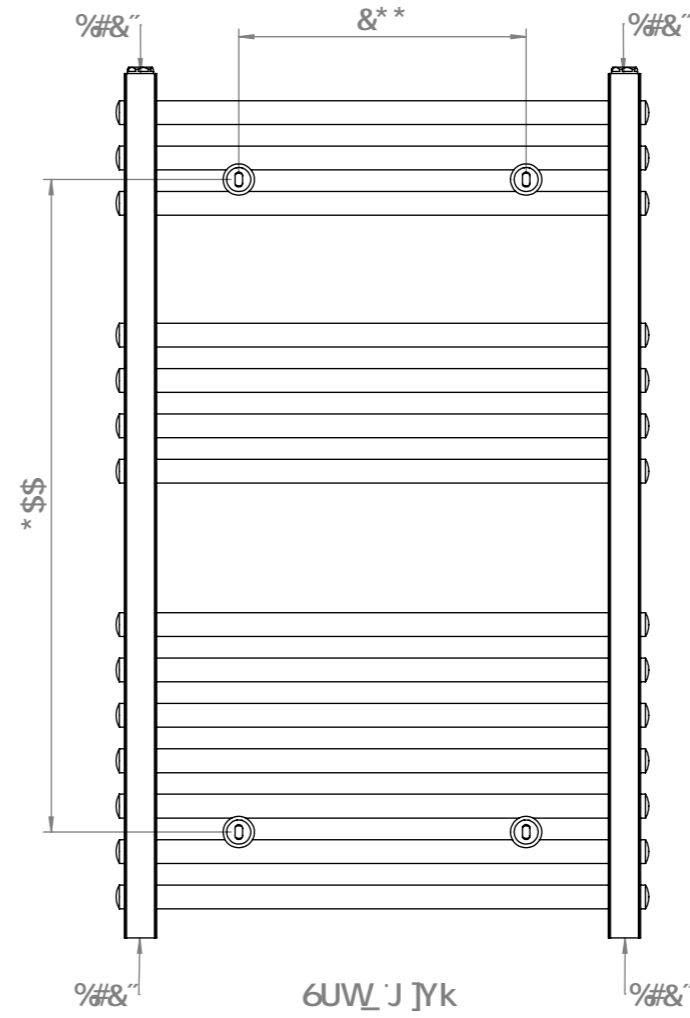
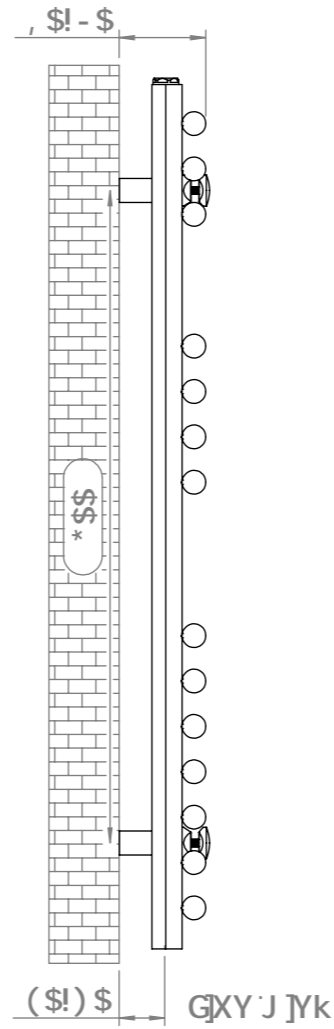
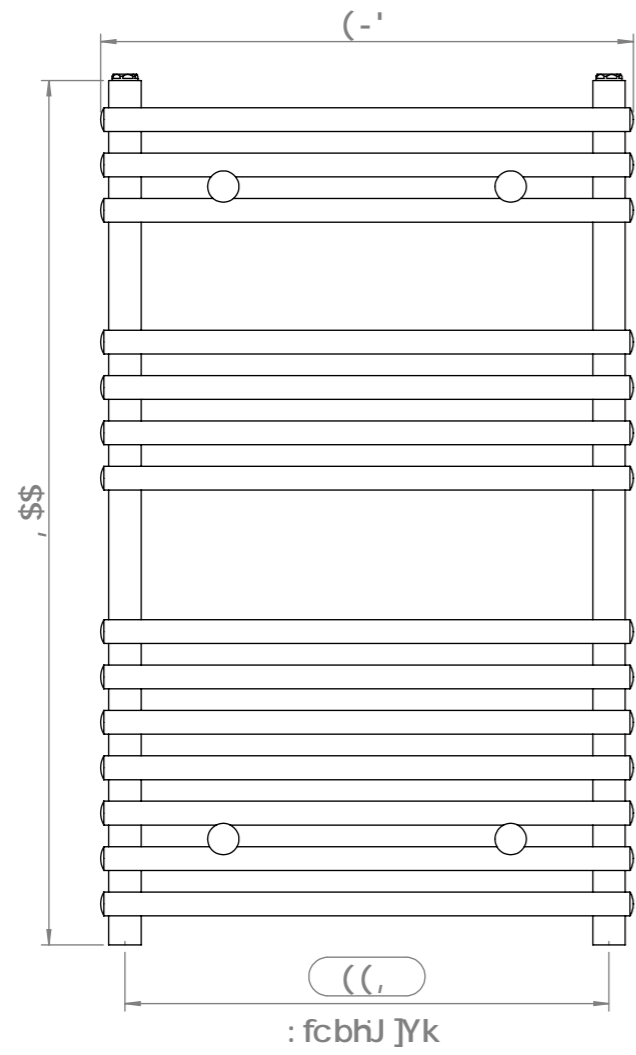
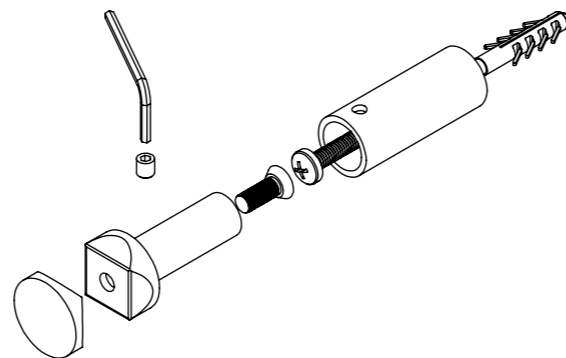
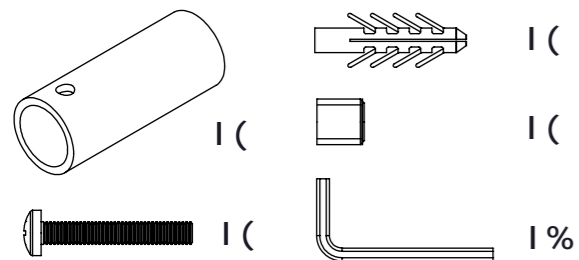


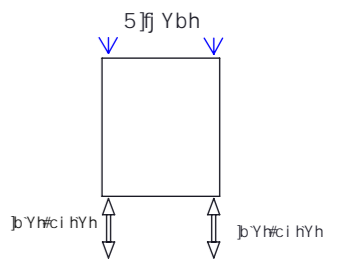
K-B8 GCF )K,



bgU~UHjcb 5VVWggcfJYg

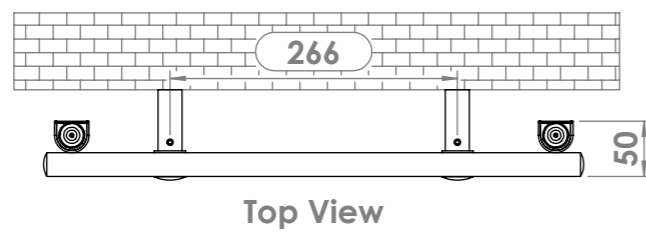
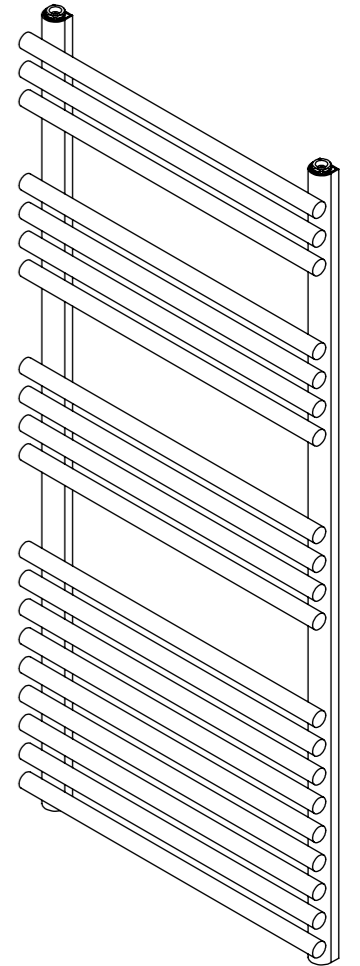
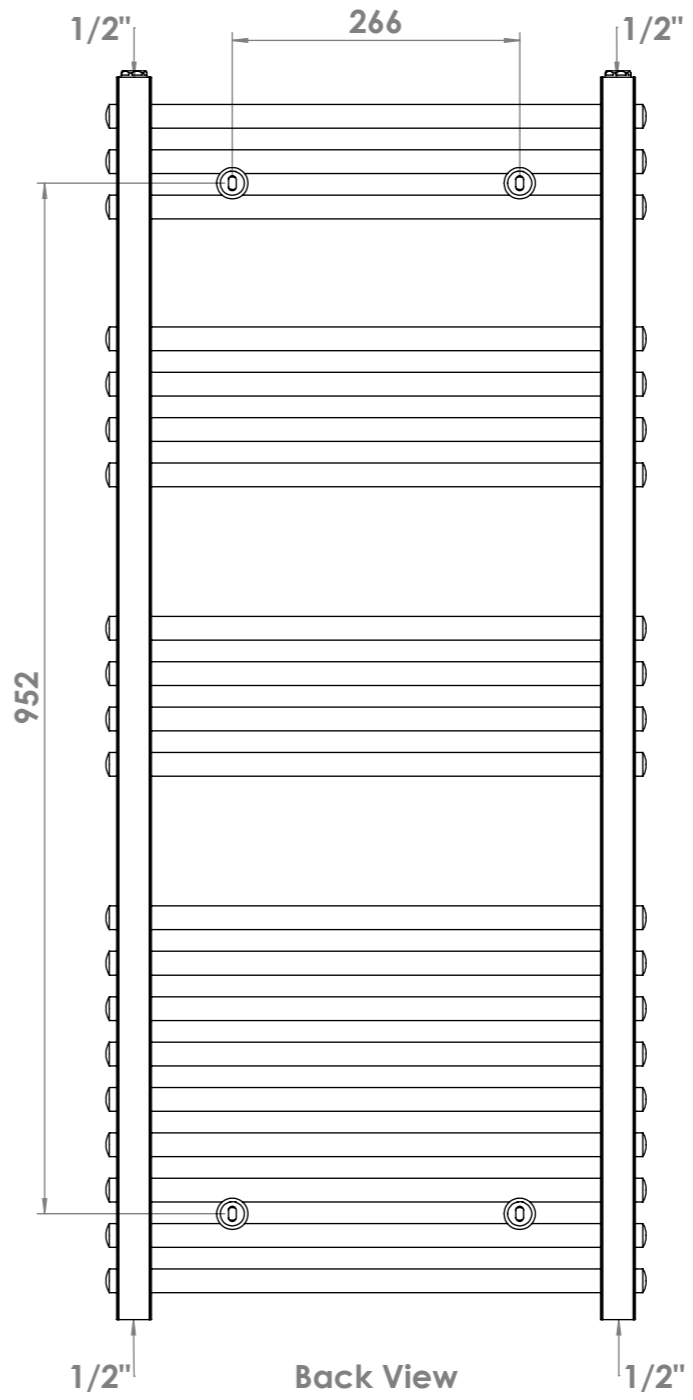
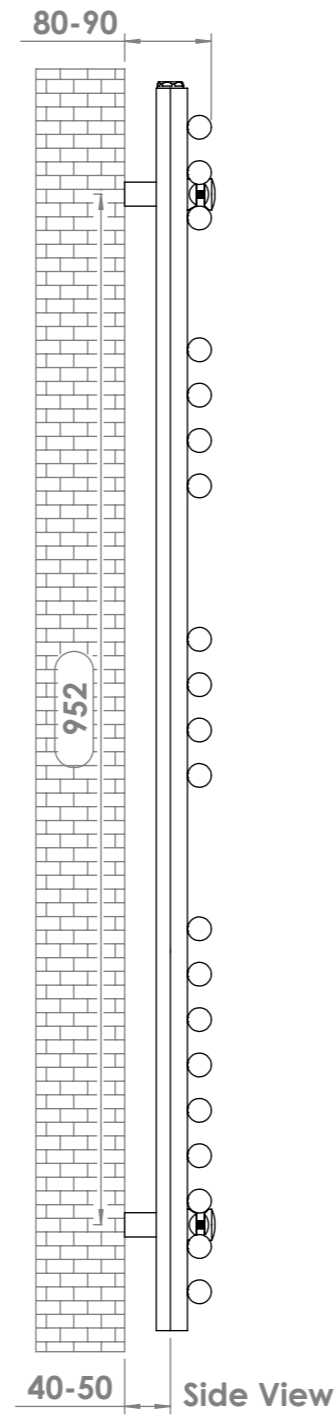
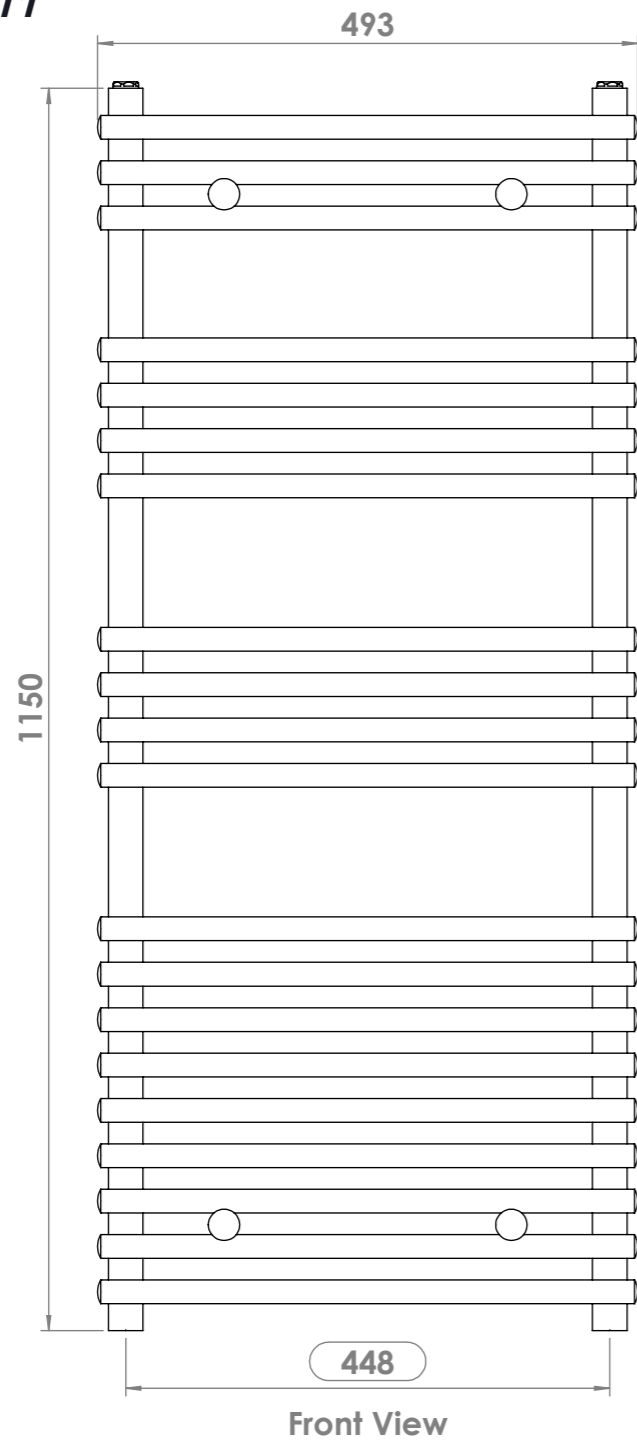


Di a V]b[ 'Dcgl]hcb.

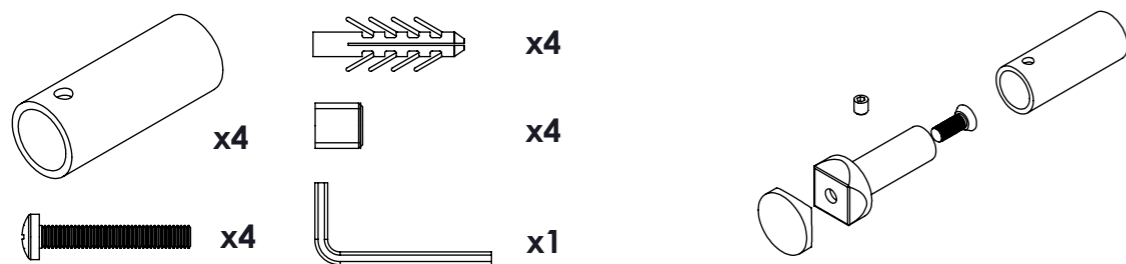


X^|cBaA [~}c  
 CH/Oa ^}•ā)•Ae^/A {  
 T aeY [i]v^\*AU;••:|A^E/Oa  
 T aeY [i]v^\*A^/ ]^|ac ;^A| »A  
 Q|^AU d^A^EAOUU  
 Ø^|A^OPE

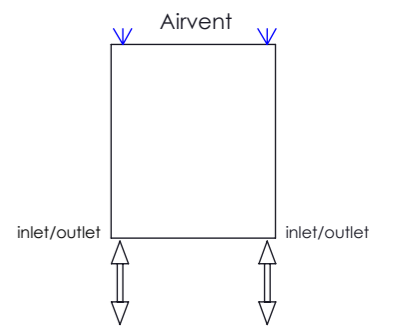
**WINDSOR 5W11**



**Installation Accessories:**

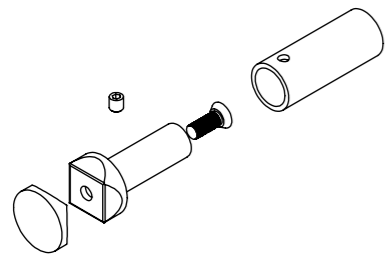
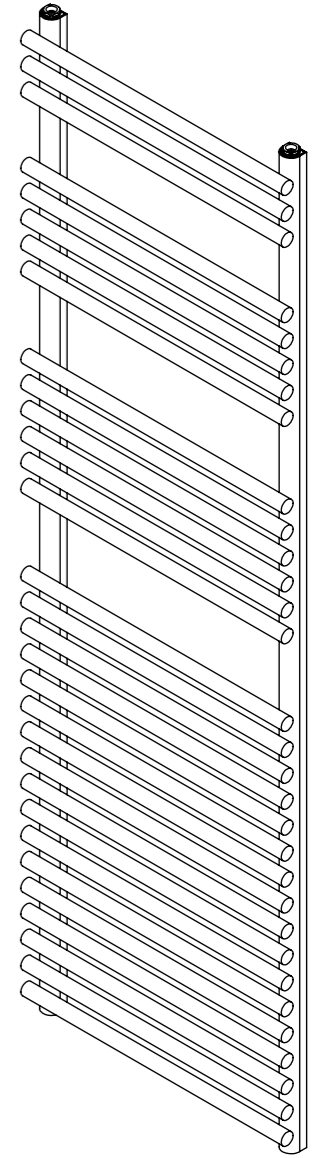
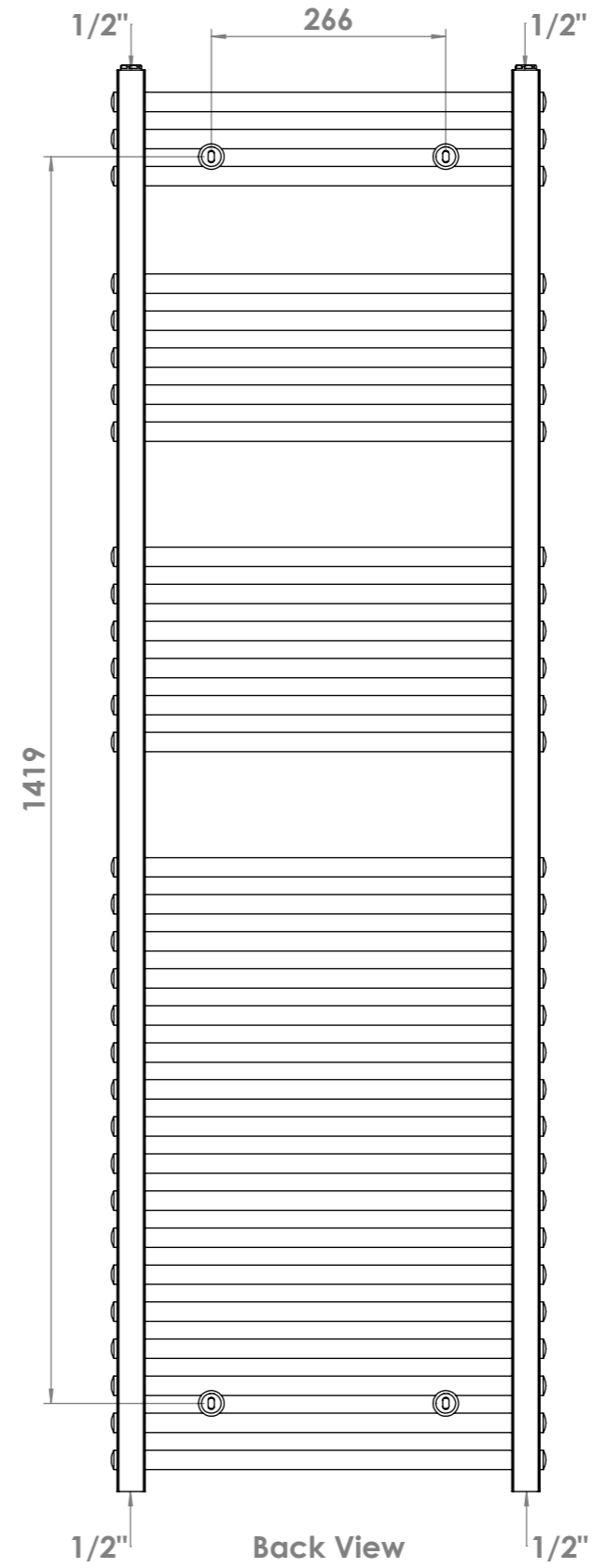
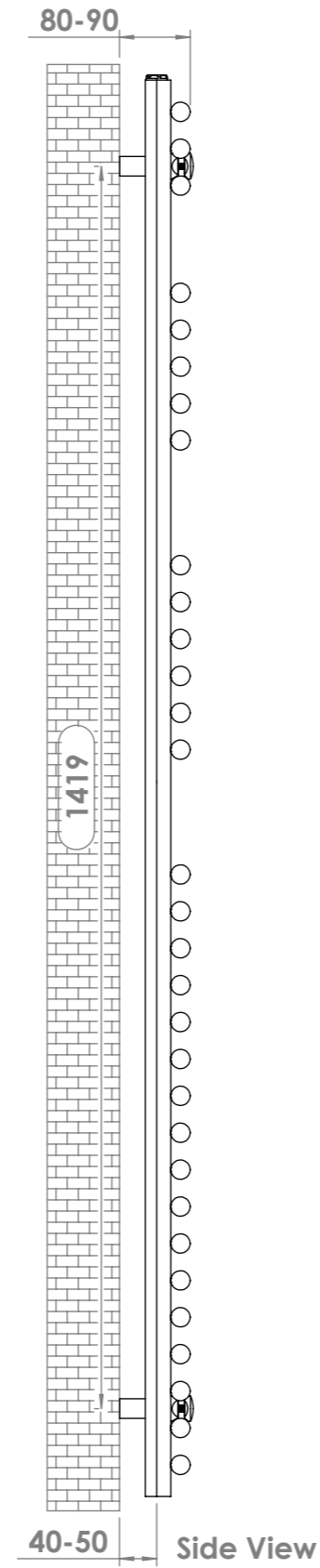
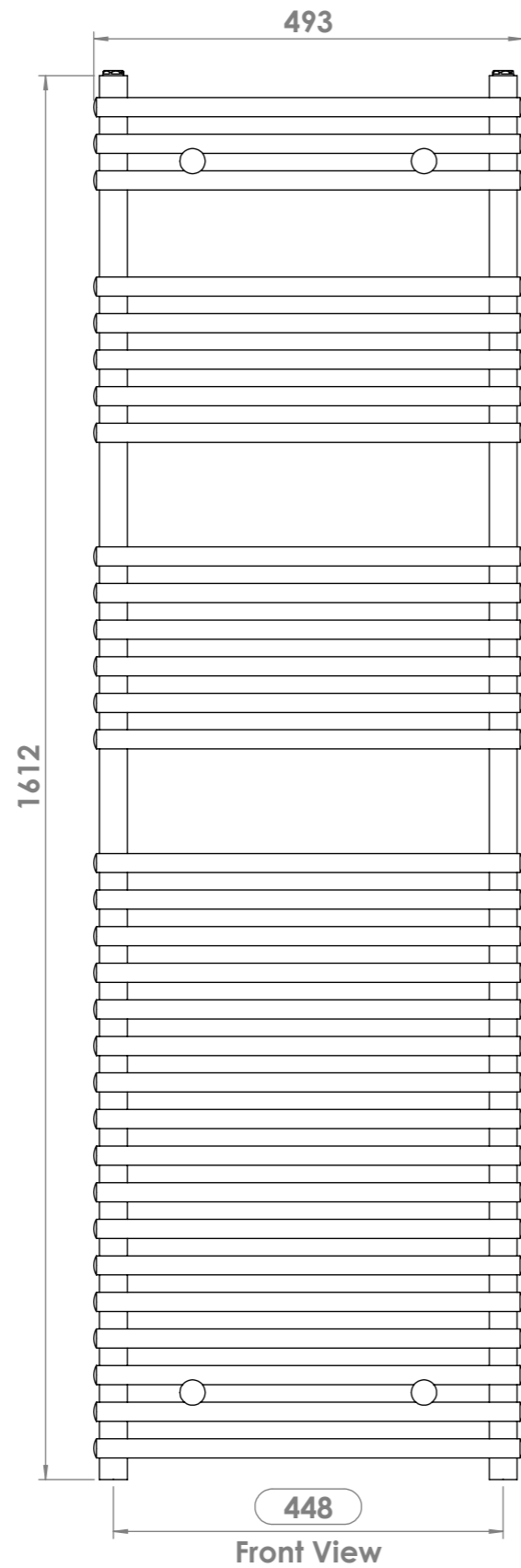


**Plumbing Position:**

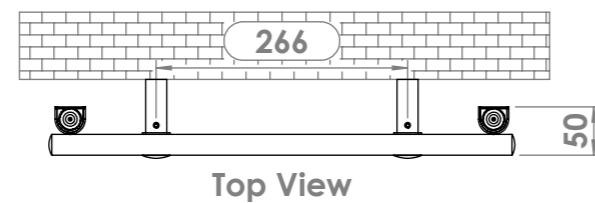
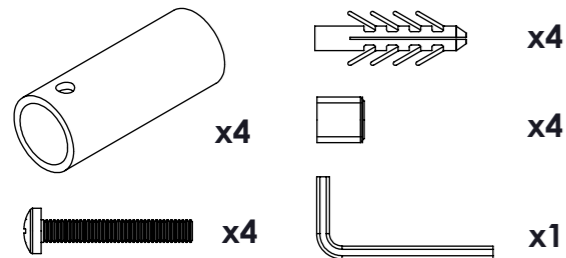


Vertical mount  
 All Dimensions are in mm  
 Max. Working Pressure: 10 Bar  
 Max. Working Temperature: 95° C  
 Inlet / Outlet : 1/2" BSP  
 Fuel : E/H/D

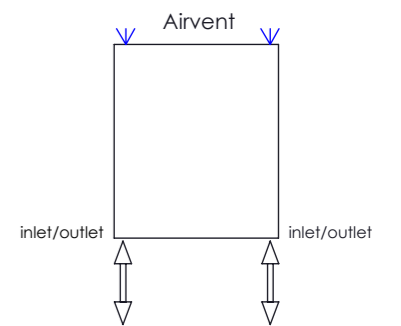
**WINDSOR 5W16**



**Installation Accessories:**



**Plumbing Position:**



Vertical mount  
 All Dimensions are in mm  
 Max. Working Pressure: 10 Bar  
 Max. Working Temperature: 95° C  
 Inlet / Outlet : 1/2" BSP  
 Fuel : E/H/D