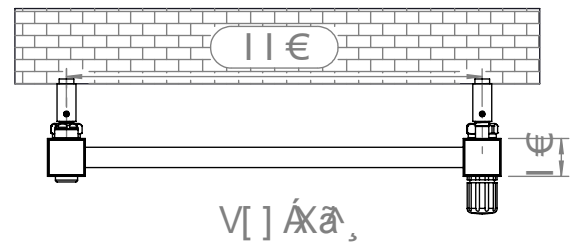
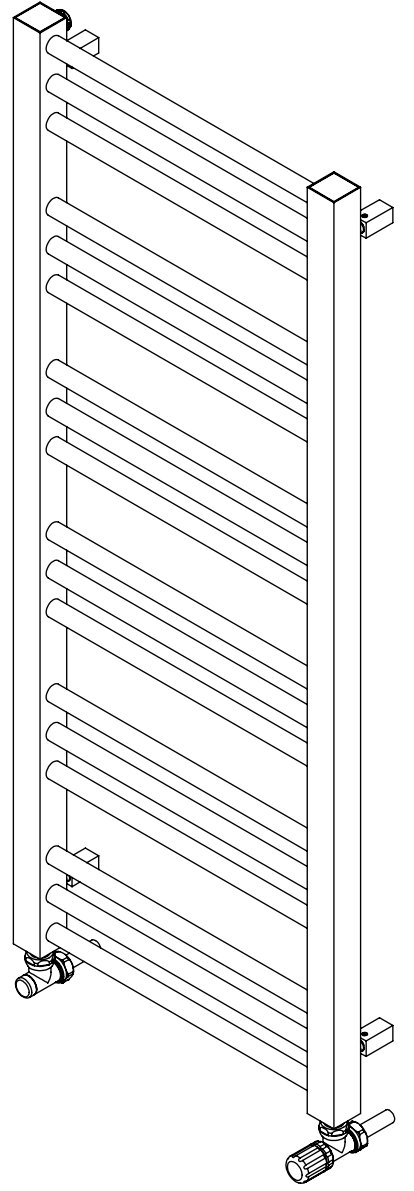
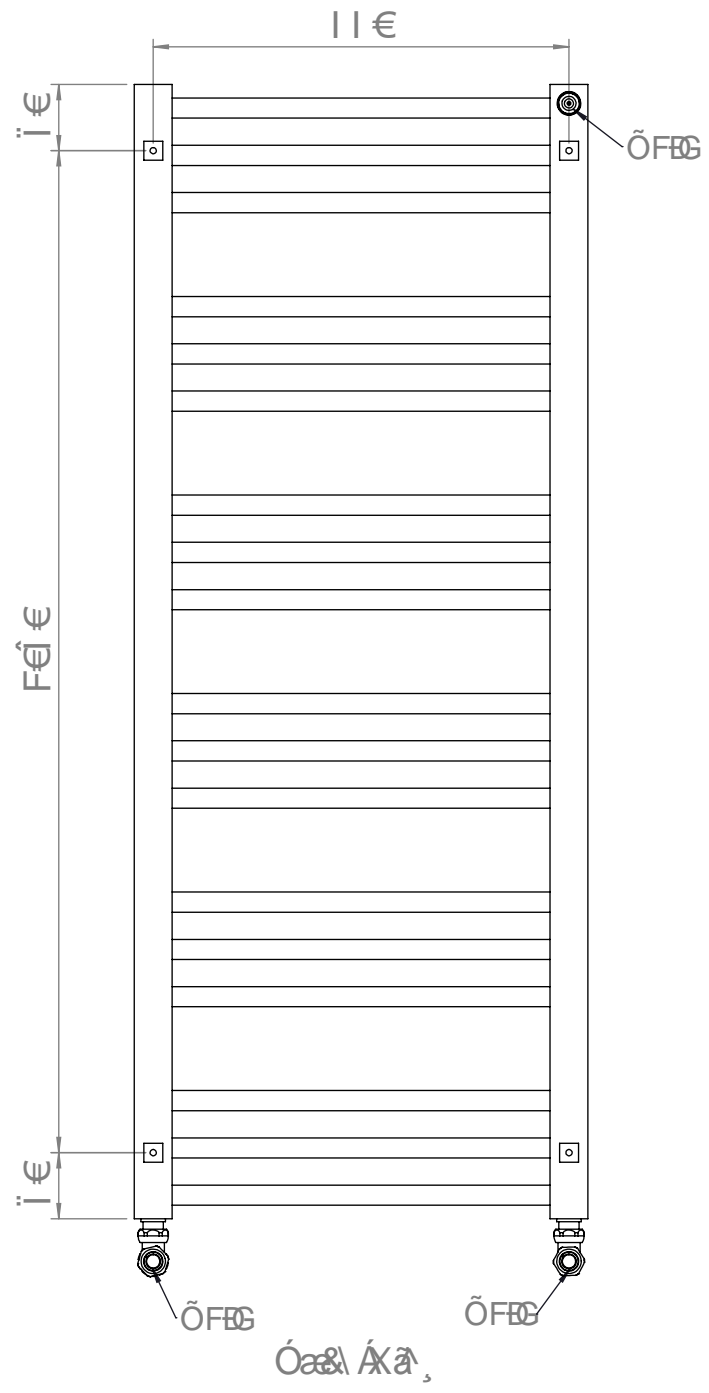
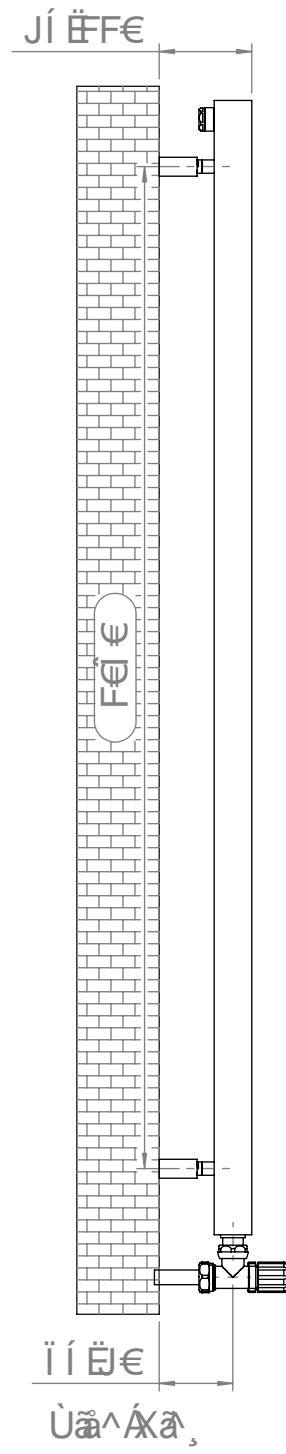
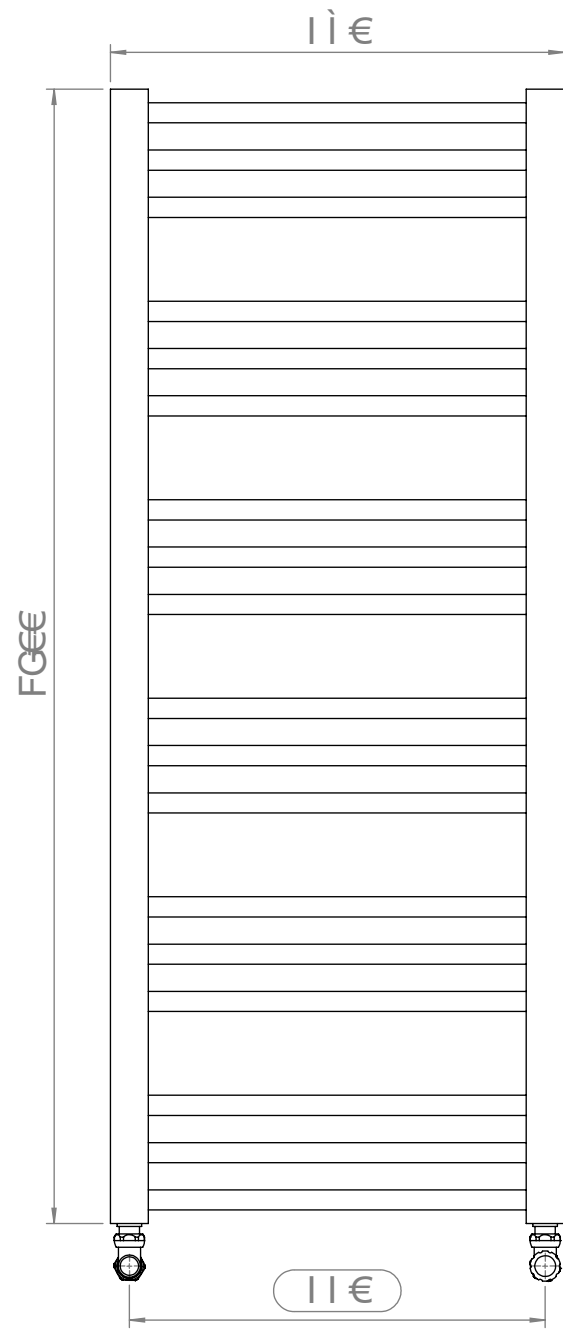




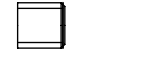

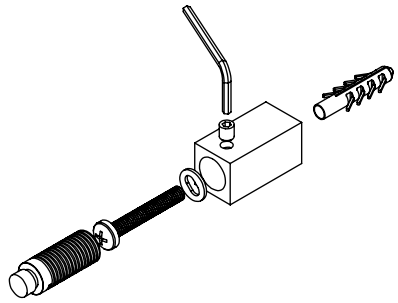


ZÒP QPÁGÍ



ÍgU`UHcb'5WVYgc fYg`

-  1 (
-  1 (
-  1 (
-  1 (
-  1 (
-  1 (



: Hb['Dcghcb.

