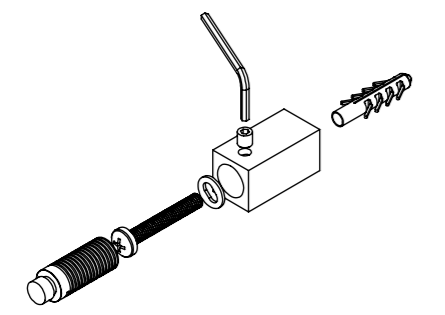
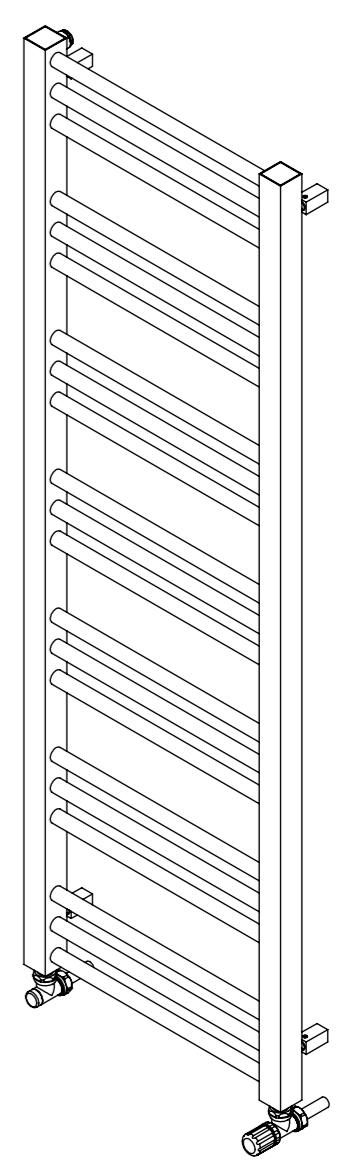
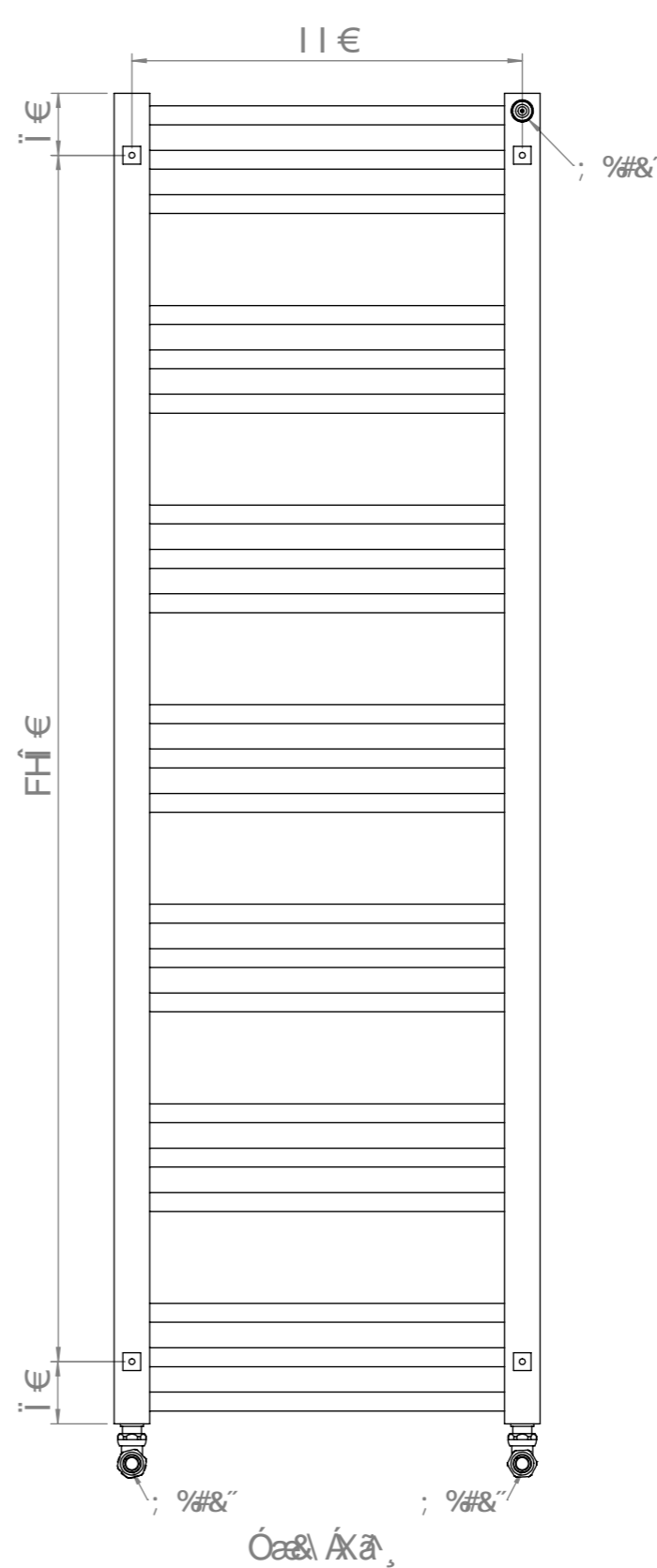
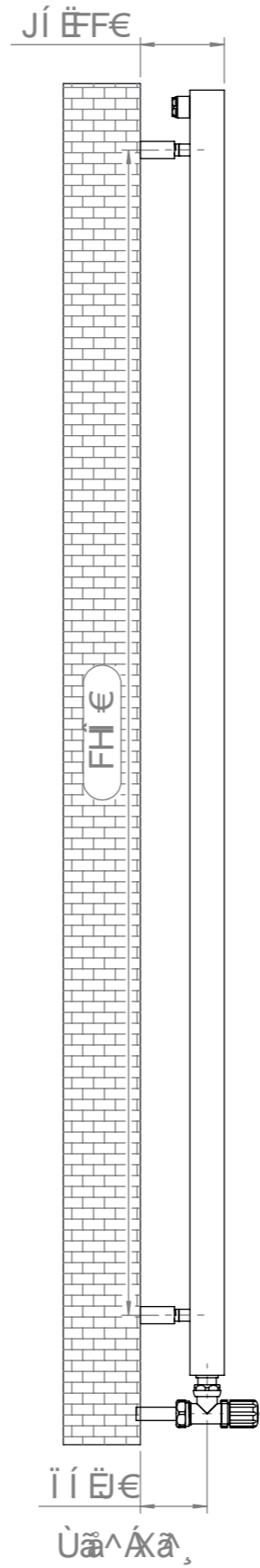
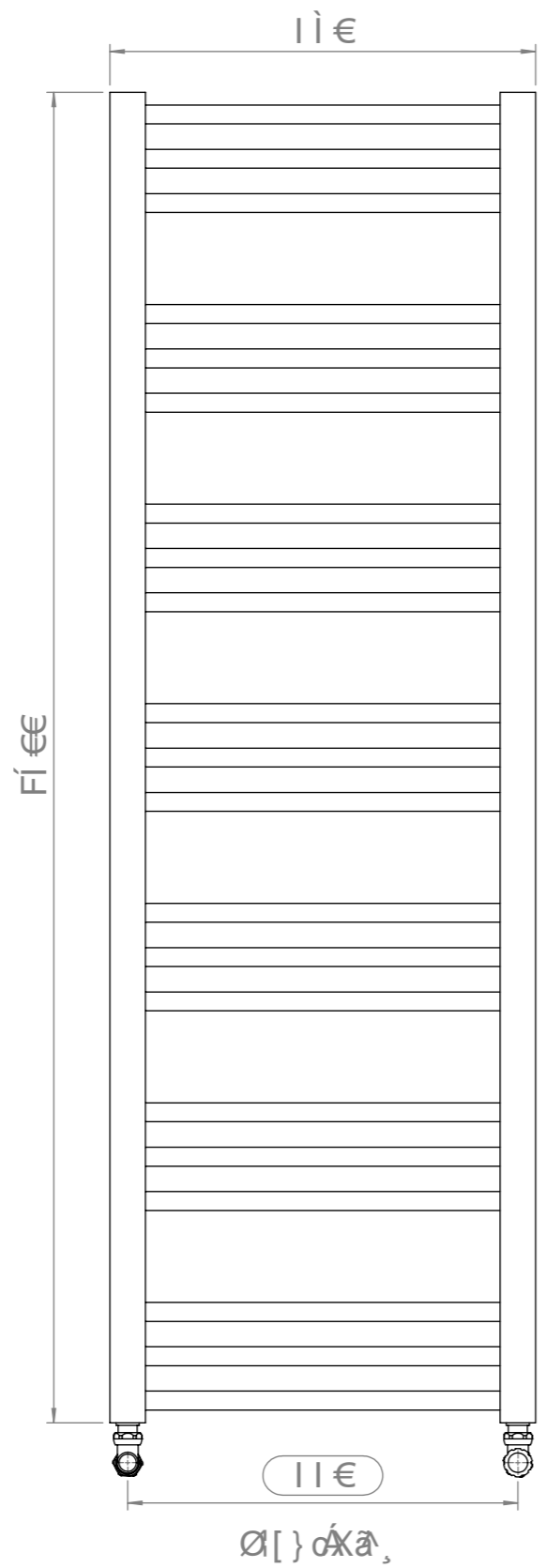


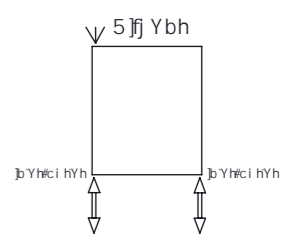
ZÒP QPÁÍ Í



- Material list:
- 1 () - Radiator valve
 - 1 () - Radiator handle
 - 1 () - Radiator pipe
 - 1 () - Radiator nut
 - 1 () - Radiator bracket
 - 1 () - Radiator corner



Technical notes:



Additional technical notes and specifications.