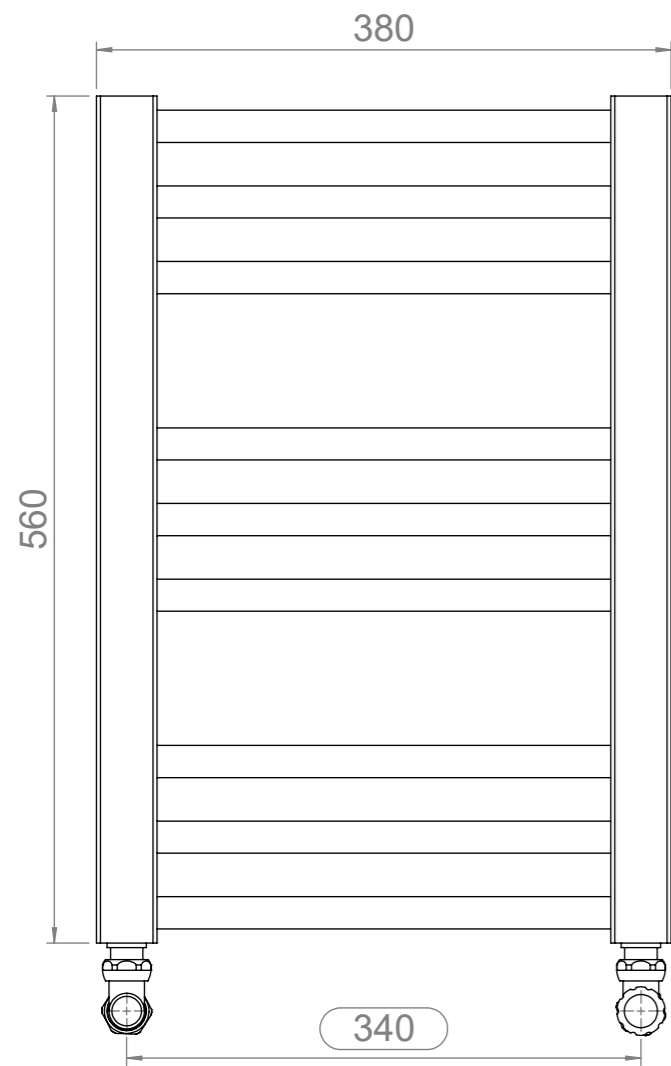
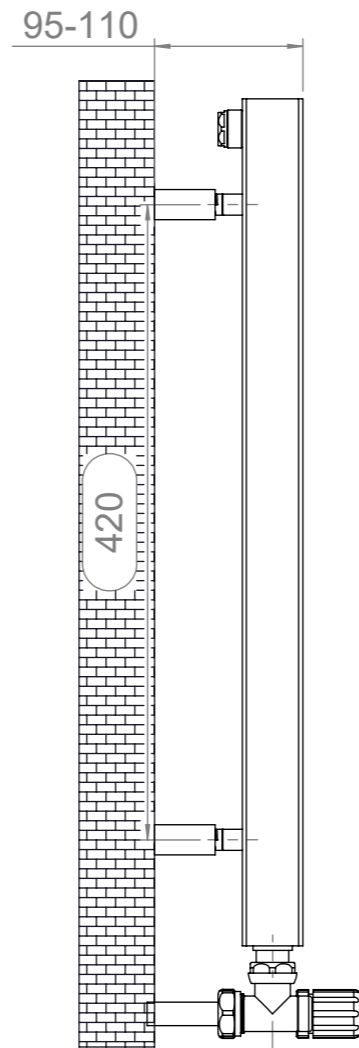


ZENITH 64

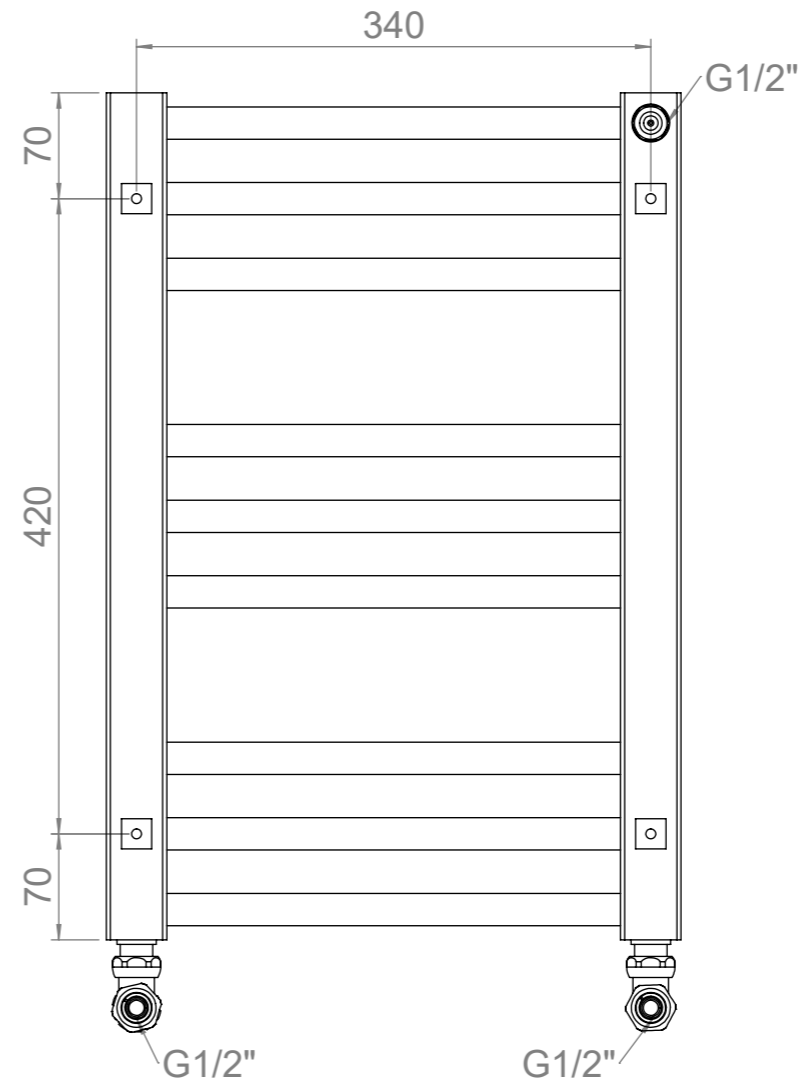
REVISIONS				
ZONE	REV.	DESCRIPTION	DATE	APPROVED



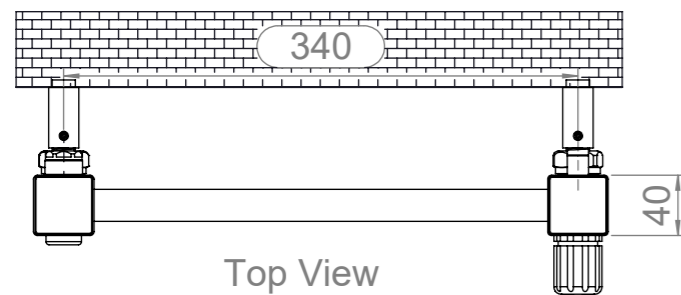
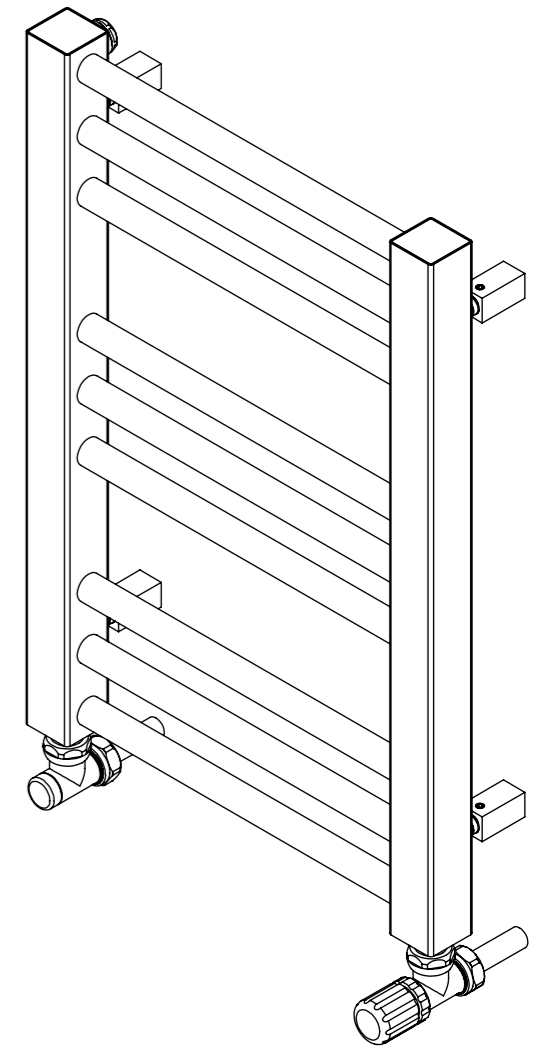
Front View



Side View





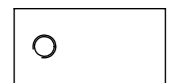



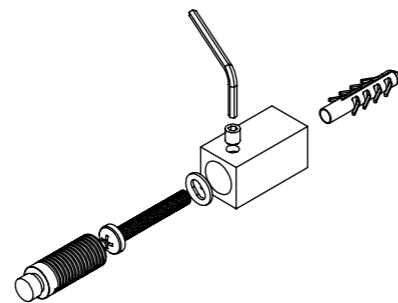
Back View



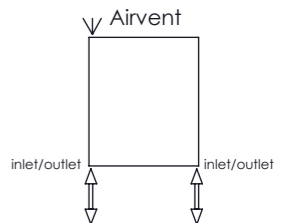
Top View

Installation Accesories:

-  x4  x4
-  x4  x4
-  x4  x1



Fitting Position:



All Dimension are in mm
 Max.Working Pressure = 10 Bar
 Max.Working Temperature=95° C
 Inlet / Outlet : 1/2" BSP